

Operating Instructions Parts List



TFD35 Lift Table

Note: Owner and operator MUST read and understand this operating instructions before use this lift table.

Thank you for using this lift table. Your lift table is made of high quality steel and is designed for the horizontal lifting and transport of loads on a level, fixed base. For your safety and correct operation, please carefully read this instruction before using it and keep it on file for future reference.

NOTE: All of the information reported herein is based on data available at the moment of printing. We reserves the right to modify our own products at any moment without notice and incurring in any sanction. So, it is suggested to always verify possible updates.

1. WARNINGS

- 1、 DO NOT put foot or hand in scissors mechanism.
- 2、 DO NOT allow other person to stand in front or behind lift table when it is moving.
- 3、 DO NOT move lift table when table is in raised position. Load could fall down.
- 4、 DO NOT enter under table.
- 5、 DO NOT overload lift table.
- 6、 DO NOT put foot in front of rolling wheels, Injury could fall down.
- 7、 WATCH difference of floor level when moving lift table. Load could fall down.
- 8、 DO NOT use lift table on slope or inclined surface, lift table may become uncontrollable and create danger.
- 9、 DO NOT lift people. People could fall down and suffer severe injury.

2. CAUTION

- 1、 Read this operation manual carefully and understand completely operating lift table. Improper operation could create danger.
- 2、 This lift table is a movable lifter designed to lift or lower rated load on table. DO NOT use lift table for other purpose than its intended use.
- 3、 DO NOT allow person to operate lift table that dose not understand its operation.
- 4、 DO NOT lower table too fast. Load could fall down and create danger.
- 5、 KEEP watching the condition of load. Stop operating lift table if load becomes unstable.
- 6、 Braking lift table when sliding load on or off table.
- 7、 DO NOT side or end load. Load must be distributed on at least 80% of table area.
- 8、 DO NOT use lift table with unstable, unbalanced loosely load.
- 9、 Practice maintenance work according to service instructions.
- 10、 DO NOT modify lift table without manufacturers written consent.
- 11、 REMOVE load from table and use safety stopper to prevent table from lowering when servicing lift table.
- 12、 This lift table is not designed to be water resistant. Use lift table under dry condition.

3. DAILY INSPECTION

Daily inspection is effective to find the malfunction or fault on lift table. Check lift table on the following points before operation .

- (1) Check for scratch, bending or cracking on the lift table.
- (2) Check if there is any oil leakage from the cylinder.
- (3) Check the vertical creep of the table.
- (4) Check the smooth movement of the wheels.

- (5) Check the function of brake.
- (6) Check if all the bolts and nuts are tightened firmly.

CAUTION: DO NOT use lift table if any malfunction or fault is found.

4. OPERATING LIFT TABLE

4-1. How to use the brake.

CAUTION: Brake lift when not moving it in order to prevent sudden movement.

The brake is equipped with the swivel caster on the right side.

- (1) Brake the wheel, press the brake pedal.
- (2) Release the brake, lift up the brake pedal.

4-2. Lifting the table

WARNING

1. DO NOT overload lift table. Stay within its rated capacity.
2. DO NOT side or end. Load must be distributed on at least 80% of table area.

Press the lifting pedal several times until the table reaches the desired position. The table does not elevate after reaching the highest position even if the lifting pedal is pressed. The table lowers slightly after reaching the highest position.

MAXIMUM CAPACITY OF TABLE
TFD35
350Kg

NOTE: The hydraulic cylinder is designed to hold table. As is the nature of hydraulic system, table lowers very slowly over an extended period of time. Please note the table does not stay at the same position indefinitely.

4-3. Lowering table

WARNING: DO NOT put foot or hand in scissors mechanism

- Pull the control handle make table down..

5. Specifications

Model	Capacity (kg)	Table (mm)	Table Height (mm)	Wheel (mm)	Weight (Kg)
TFD35	350	910x500	355-1300	Φ125	102

- USA type before /. European type behind /.

6. Service Instructions

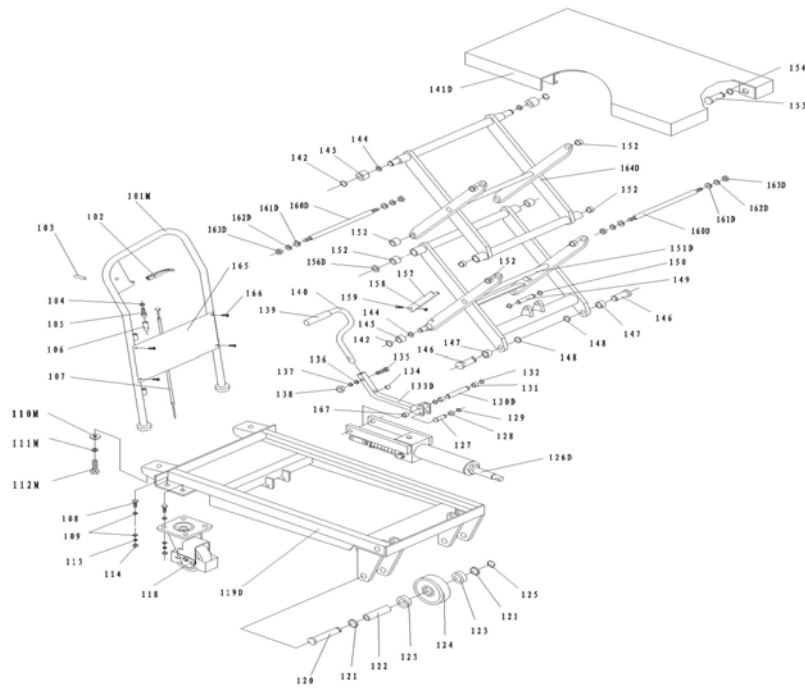
6-1. Lubricate each point described below every month:

6-2. Change hydraulic oil every 12 months.

Lubricating Points

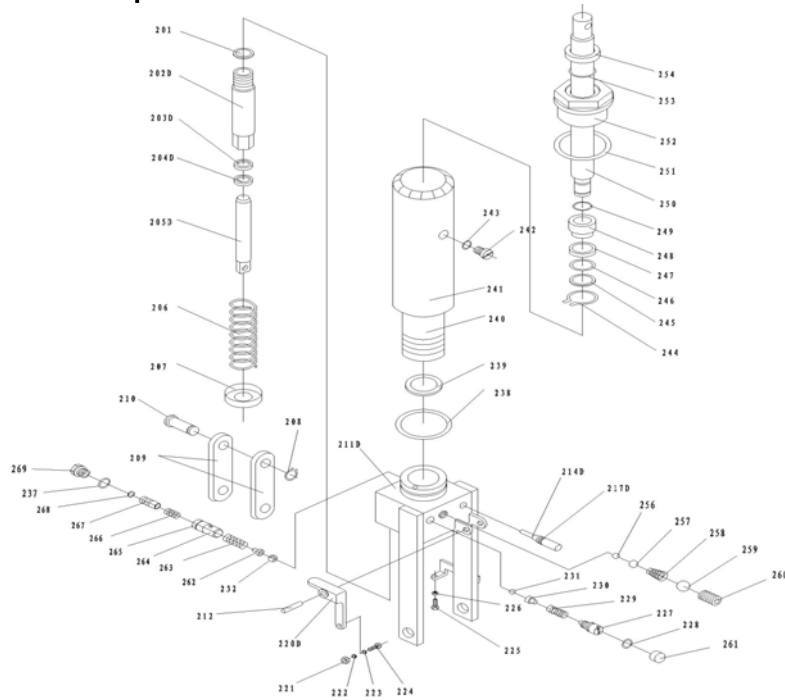
- (1) Fitting of cylinder---Oil
- (2) Roller friction surface---Grease
- (3) Link pin ---Oil
- (4) Pedal fitting point---Oil
- (5) Grease nipple---Grease

7. Part List of Table



No	Description	Qty.	No	Description	Qty.
101M	Handle Grip	1	136	Washer	1
102	Control Handle	1	137	Elastic Washer	1
103	Elastic Pin	1	138	Nut	1
104	Nut	1	139	Protecting Cover	1
105	Bolt with Hole	1	140	Pedal Bar	1
106	Jacket	1	141D	Table	1
107	Pull Rod	1	142	Retaining Ring	2
108	Bolt	8	143	Roller	2
109	Washer	16	144	Washer	2
110M	Big Washer	2	145	Roller	2
111M	Elastic Washer	2	146	Pin	2
112M	Bolt	2	147	Bushing	2
113	Elastic Washer	8	148	Retaining Ring	2
114	Nut	8	149	Pin	1
118	Universal Wheel	2	150	Retaining Ring	2
119D	Frame	1	151D	Fork Arm	1
120	Pin	2	152	Bushing	8
121	Washer	4	153	Pin	2
122	Axle	2	154	Retaining Ring	2
123	Bearing	4	156D	Washer	4
124	Wheel	2	157	Support Plank	2
125	Retaining Ring	2	158	Nut	2
126D	Pump Unit	1	159	Screw	2
127	Pin	1	160D	Long Shaft	2
128	Washer	1	161D	Washer	4
129	Retaining Ring	1	162D	Washer	4
130D	Pin	1	163D	Nut	4
131	Washer	2	164D	Top Fork Arm	1
132	Retaining Ring	2	165	Protecting board	1
133D	Connecting Rod	1	166	Bolt	4
134	Cushion	1	167	Bushing	2
135	Bolt	1			

8. Part List of Pump



No	Description	Qty.	No	Description	Qty.
201	Seal Washer	1	240	Cylinder	1
202D	Pump Cylinder	1	241	Housing	1
203D	Dust Ring	1	242	Bolt	1
204D	Y-Seal	1	243	Seal Washer	1
205D	Pump Piston	1	244	Retaining Ring	1
206	Spring	1	245	Washer	1
207	Spring Cap	1	246	O-Ring	1
208	Retaining Ring	1	247	Cup Packing	1
209	Joint Plate	2	248	Piston	1
210	Pin	1	249	O-Ring	1
211D	Pump Body	1	250	Piston Rod	1
212	Elastic Pin	1	251	Seal Washer	1
214D	Strke Pin	1	252	Cylinder Cap	1
217D	O-Ring	2	253	O-Ring	1
220D	Lever Plate	1	254	Dust Ring	1
221	Nut	1	256	Steel Ball	1
222	Elastic Washer	1	257	Steel Ball	1
223	Washer	1	258	Spring	1
224	Bolt With Hole	1	259	Steel Ball	1
225	Bolt With Hole		260	Screw	1
226	Nut	1	261	Cup	1
227	Adjusting Bolt	1	262	Seat of Steel Ball	1
228	O-Ring	1	263	Spring	1
229	Spring	1	264	Seat of Valve	1
230	Seat of Steel Ball	1	265	O-Ring	1
231	Steel Ball	1	266	Spring	1
232	Steel Ball	1	267	Core of Valve	1
237	Seal Washer	1	268	Retaining Ring	1
238	O-Ring	1	269	Plug	1
239	Seal Washer	1			

ATTENTION:

1. The worn batteries and accumulators were solid wastes with danger. They are harmful to our health and environment. To avoid polluting with the leaking liquid, we should put the replacements into a special and leak-tight container. To avoid the hurt to people, it should be put away from the place people lived and worked with a warning sticker. The collected worn batteries and accumulators should be handed in to a competent institution according to the local statute.
2. The waste packages should be sorted and put into solid dustbins according to the materials and be collected disposal by local special environment protection bureau. To avoid pollution, it's forbidden to throw away the wastes random.
3. To avoid leaking during the use of the products, the user should prepare some absorbable materials (scraps of wooden or dry duster cloth) to absorb the leaking oil in time. To avoid second pollution to the environment, the used absorbable materials should be handed in to the special department in term of the local statute.