

NOBLELIFT

Material Handling

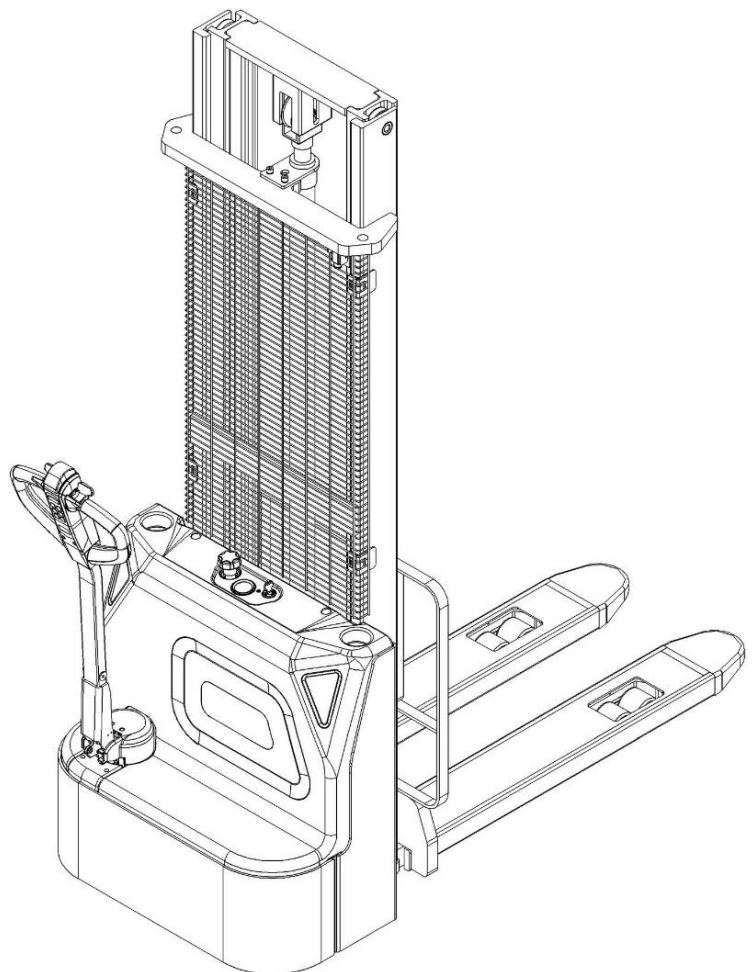


Scan QR Code for More

Electric Pallet Stacker PSE15L-C

PARTS MANUAL

537046020101



Version: 09/2020

Truck Identification Number From:

Parts Manual

PSE15L-C-PM01EN

Please order parts from authorized dealers of Noblelift Intelligent Equipment Co., LTD. In order to avoid wrong delivery, all the orders for spare parts should specify the following items:

- Truck model, identification number and manufacture year.
- Orders for spare parts of mast, hydraulic transmission unit, steering axle, motor, etc. shall indicate the manufacture number of these parts.
- Codes for Noblelift spare parts are shown in the table of parts manual. Please also pay attention to the description of supply status, order quantity, etc. (check the number listed in "Mark" column of the parts manual).

"Mark" Column:

The unmarked indicates the parts are in short supply cycle.

Number 1: supply as package. Indicating these that parts are small parts and seal parts, which are supplied in package unit and in short supply cycle.

Number 2: supply with constraints. Indicating that these spare parts are not in stock and will be prepared for production after receiving the order from customers, which are in long supply cycle.

Number 3: phasing-out supply. Indicating that these parts will be replaced by new parts due to technical improvements and the current stock will not be available when these parts run out. Please check the description of technical improvements notice.

Number 4: supply as assembly. Indicating that these parts are assembly parts defined by manufacture process, which cannot be supplied as a single part.

Number 5: check other tables.

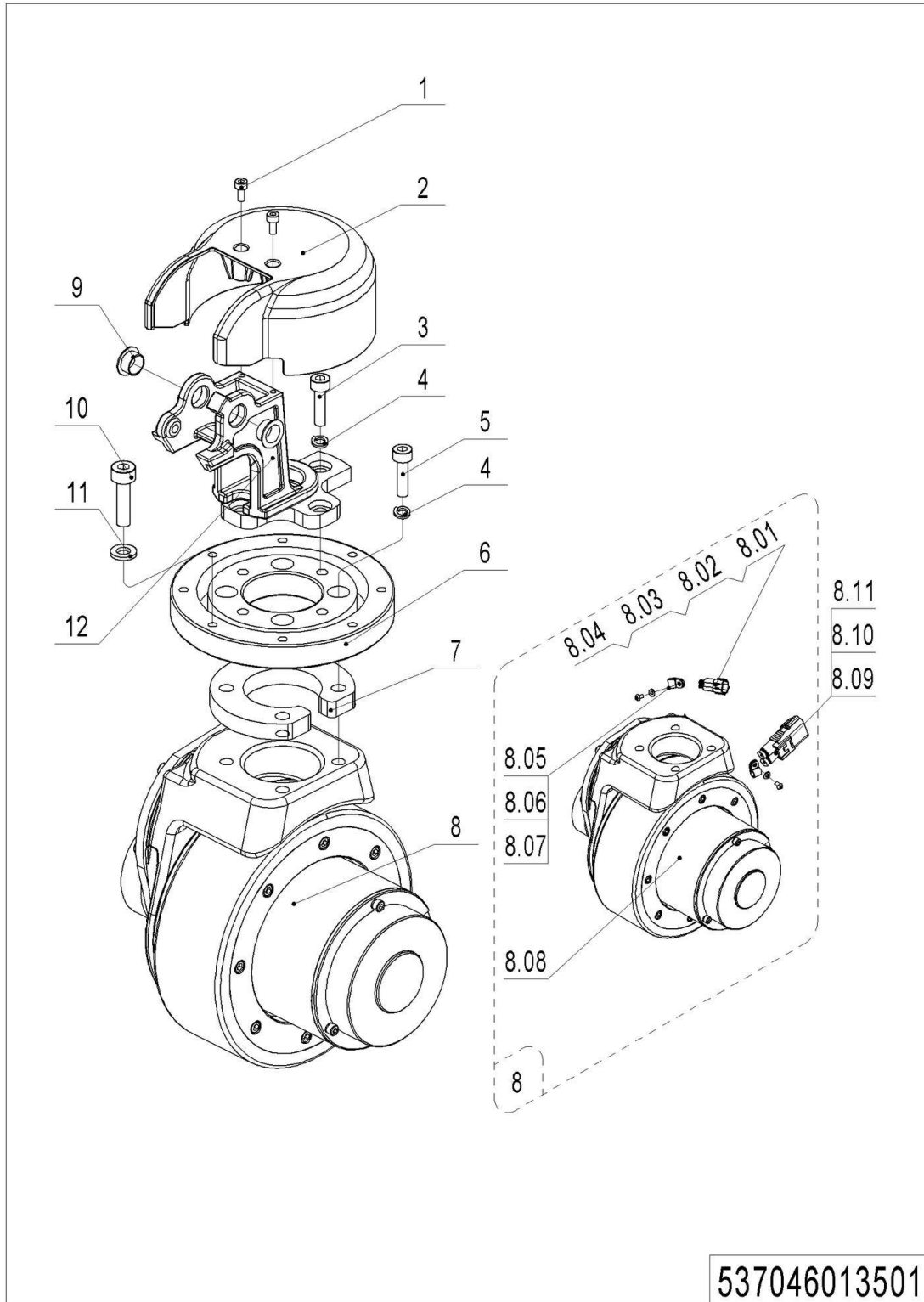
This parts manual is the property of Noblelift and can be shared under the confidential agreement only, Noblelift has the right to claim for compensation of any unauthorized use. Copy without permission is not allowed. Figures in the manual are not limited by the original design. Noblelift Intelligent Equipment Co., LTD reserves the right to improve the products for continuous technology progress.

Table of Contents

Chapter 1: Drive System.....	4
01 Drive Unit (537046013501)	4
02 Drive Assembly (537046013502)	6
Chapter 2: Hydraulic System.....	8
01 Hydraulic Components (536846024001)	8
02 Hydraulic Unit (532246023501)	10
Chapter 3: Truck Frame.....	12
01 Fork Carriage (531846038001)	12
02 Chassis (Single Stage Mast) (537046021501)	14
02 Chassis (Single Stage Mast) (537046021501) Continuation.....	16
03 Chassis (Two Stage Mast) (537046021502)	18
03 Chassis (Two Stage Mast) (537046021502) Continuation.....	20
04 Inner Mast Assembly (537046044001)	22
Chapter 4: Steering System, Braking System, Wheels.....	24
01 Tiller Unit (537046011001)	24
02 Tiller (537046011002)	26
03 Load Roller(Tandem Rollers) (532646017001)	28
04 Load Roller(Single Roller) (537046017001)	30
05 Caster (532246016501)	32
Chapter 5: Electrical Parts.....	34
01 Display Assembly (537046010001)	34
02 Traction Battery (537046037001)	36
03 Traction Battery (Lithium Battery) (537046037002)	38
04 Wire Harness (537046033001)	40
04 Wire Harness (537046033001) Continuation.....	42
Chapter 6: Special Parts	44
01 Load Backrest(Optional) (532646040501)	44
Chapter 7: Others.....	46
01 Label and Decal(EU) (537046047001)	46
02 Label and Decal(USA) (537046047002)	48
Appendix.....	50
01 Electrical Circuit Diagram (537046045501)	50
02 Electrical Circuit Diagram (Lithium Battery) (537046045502)	51
03 Hydraulic Circuit Diagram (537046045504)	52
04 Consumable Parts List.....	53

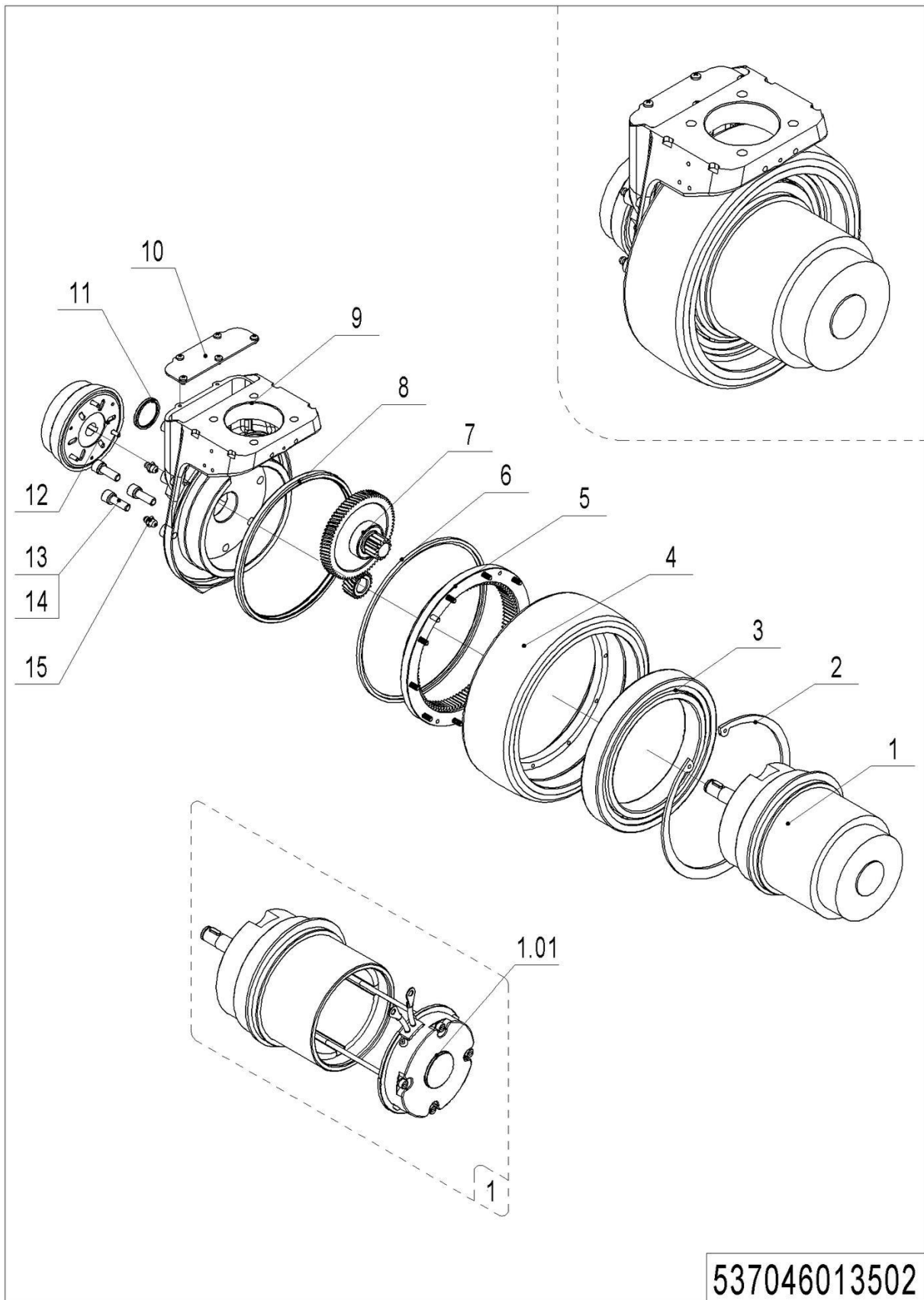
Chapter 1: Drive System

01 Drive Unit (537046013501)



01 Drive Unit (537046013501)

No.	Item Code	Mark	Item Description	Qty.	Substitute	Note
1	910200200022	1	Screw	2		
2	536813520000	2	Protective Cover	1		
3	910200200076	1	Screw	4		
4	910400500007	1	Spring Washer	8		
5	910200200080	1	Screw	4		
6	532213520001		Slewing Bearing	1		
7	531813520005	2	Plate	1		
8	537098510001	2	Wire Harness	1		
8.01	920400200004	1	Connector	1		
8.02	920400200003	1	Connector	1		
8.03	920400200017	1	Connector	1		
8.04	920400200018	1	Connector	1		
8.05	910200700001	1	Screw	1		
8.06	910400100003	1	Flat Washer	1		
8.07	921300200001	1	Cable Clamp	1		
8.08	-----	5	Drive Assembly	1		Check 537046013001
8.09	920400200152	1	Connector	1		
8.10	920400200172	1	Connector	1		
8.11	920400200171	1	Connector	1		
9	940500200001	1	Bushing	2		
10	910200200061	1	Screw	8		
11	910400100006	1	Flat Washer	8		
12	536813510000	2	Bracket	1		

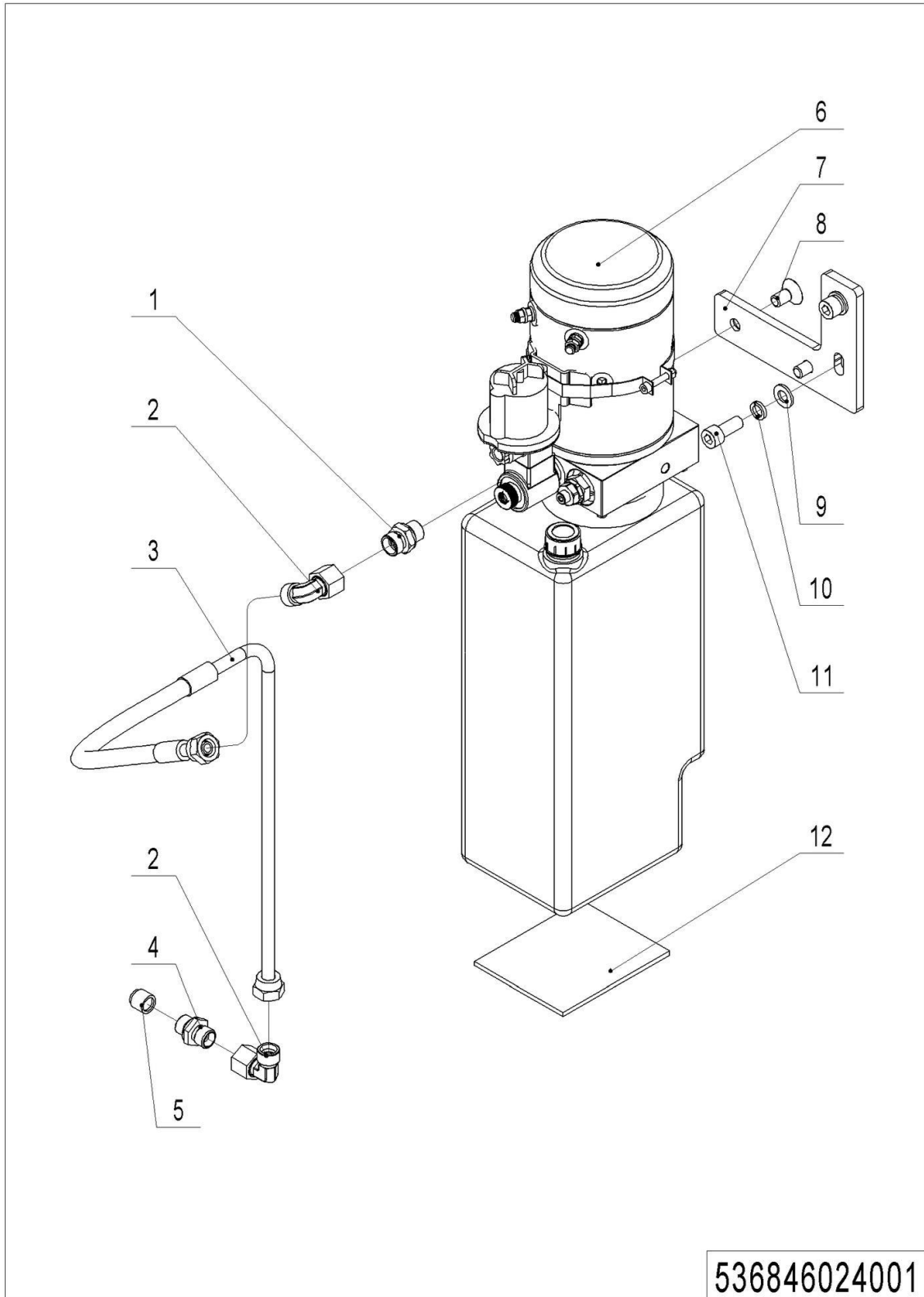
02 Drive Assembly (537046013502)

02 Drive Assembly (537046013502)

No.	Item Code	Mark	Item Description	Qty.	Substitute	Note
--	961000800000	2	Drive Unit	1		
1	537098510011	2	Motor	1		
1.01	537098510015	2	Carbon Brush	1		
2	910401400015	1	Circlip	1		
3	910700200053		Bearing	1		
4	961000700008	2	Tyre	1		
5	961000700007	2	Gear	1		
6	961000700009	1	Wiper Seal	1		
7	537098510012	2	Gear Components	1		
8	961000700013	1	Oil Seal	1		
9	537098510013	2	Gearbox	1		
10	537098510014	2	Close Plate Assembly	1		
11	961000700005	2	Cover	1		
12	961000700011	2	Brake	1		
13	910200200147	1	Screw	5		
14	910400500019	1	Spring Washer	5		
15	911200100003	1	Oil Cup	2		

Chapter 2: Hydraulic System

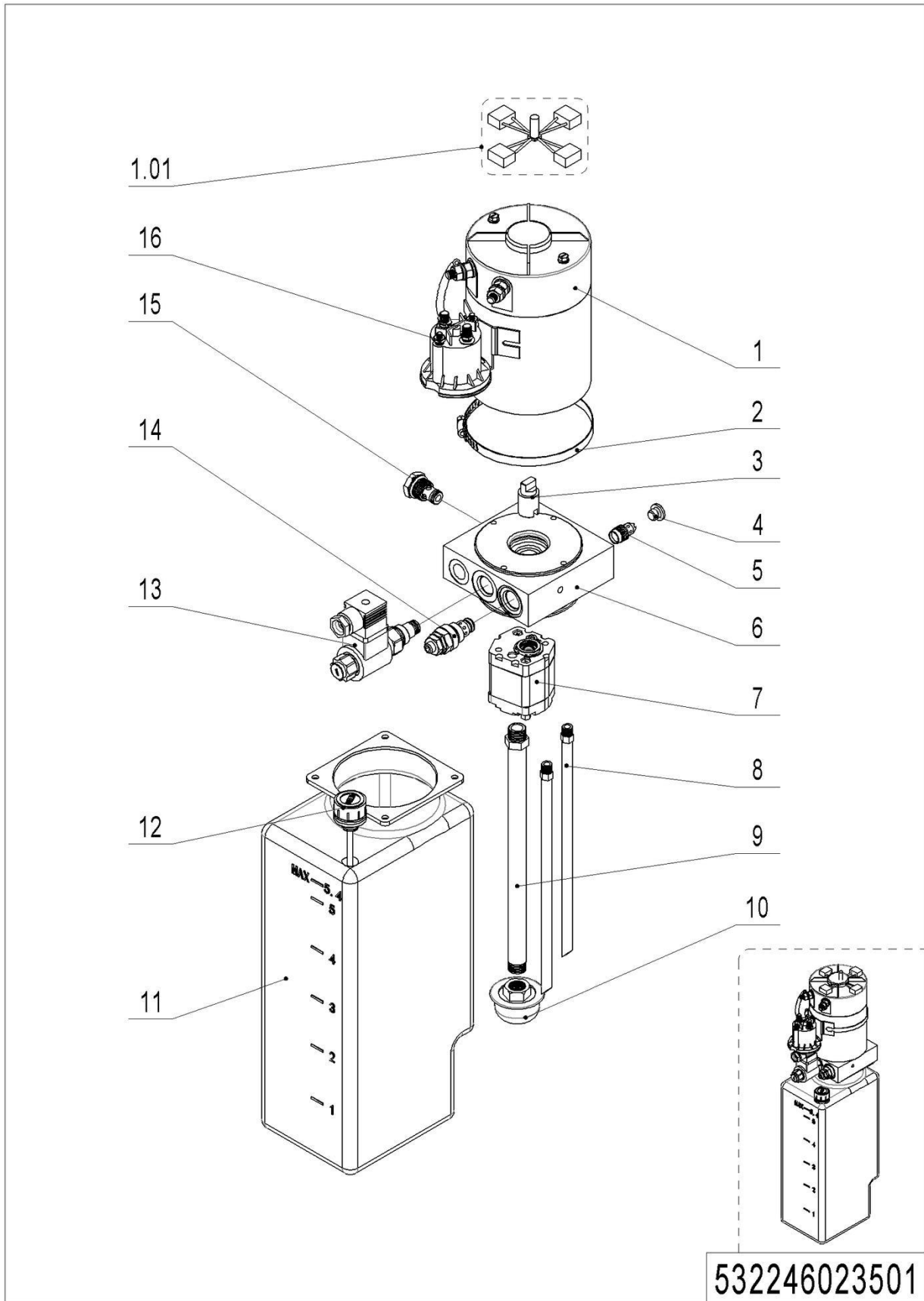
01 Hydraulic Components (536846024001)



01 Hydraulic Components (536846024001)

No.	Item Code	Mark	Item Description	Qty.	Substitute	Note
1	950400300007		Joint	1		
2	950400200003		Joint	2		
3	536824010000	2	Hose	1		
4	950400400003		Joint	1		
5	950600300001		Safety Valve	1		
6	-----	5	Hydraulic Unit	1		Check 532246023501
7	536823520000	2	Mounting Plate	1		
8	910200400035	1	Screw	2		
9	910400100007	1	Flat Washer	2		
10	910400500007	1	Spring Washer	2		
11	910200200076	1	Screw	2		
12	532223520002		Crash Pad	1		

02 Hydraulic Unit (532246023501)



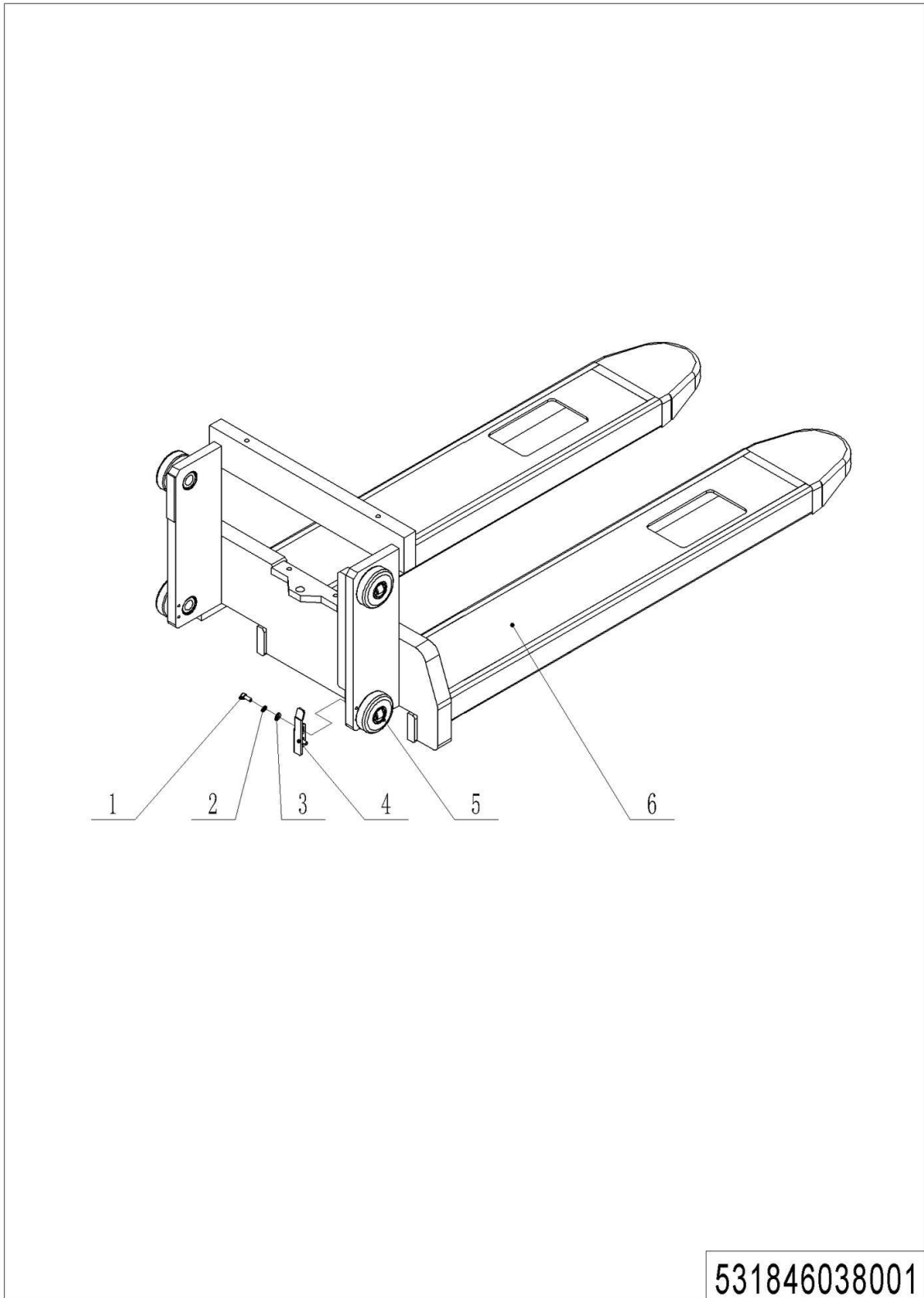
1= Supply as package. 2= Supply with constraints. 3= Phasing-out supply. 4= Supply as assembly. 5= Check other tables.

02 Hydraulic Unit (532246023501)

No.	Item Code	Mark	Item Description	Qty.	Substitute	Note
--	950900100069	2	Pump Unit	1		
1	532298510037	2	Motor	1		
1.01	532298510026	2	Carbon Brush	1		
2	532298510040	2	Hose Clamp	1		
3	532298520007	2	Coupling	1		
4	532298520003	2	End Cap	1		
5	532298510027	2	Valve	1		
6	532298520006	2	Valve Block	1		
7	532298510032	2	Gear Pump	1		
8	532298520004	2	Pipe	2		
9	532298520005	2	Oil Tube	1		
10	532298510031	2	Filter	1		
11	532298510029	2	Tank	1		
12	532298510030	2	Cap-Tank	1		
13	532298510042	2	Magnetic Valve	1		
14	532298510035	2	Overflow Valve	1		
15	532298510028	2	Check Valve	1		
16	532298510036	2	Switch	1		

Chapter 3: Truck Frame

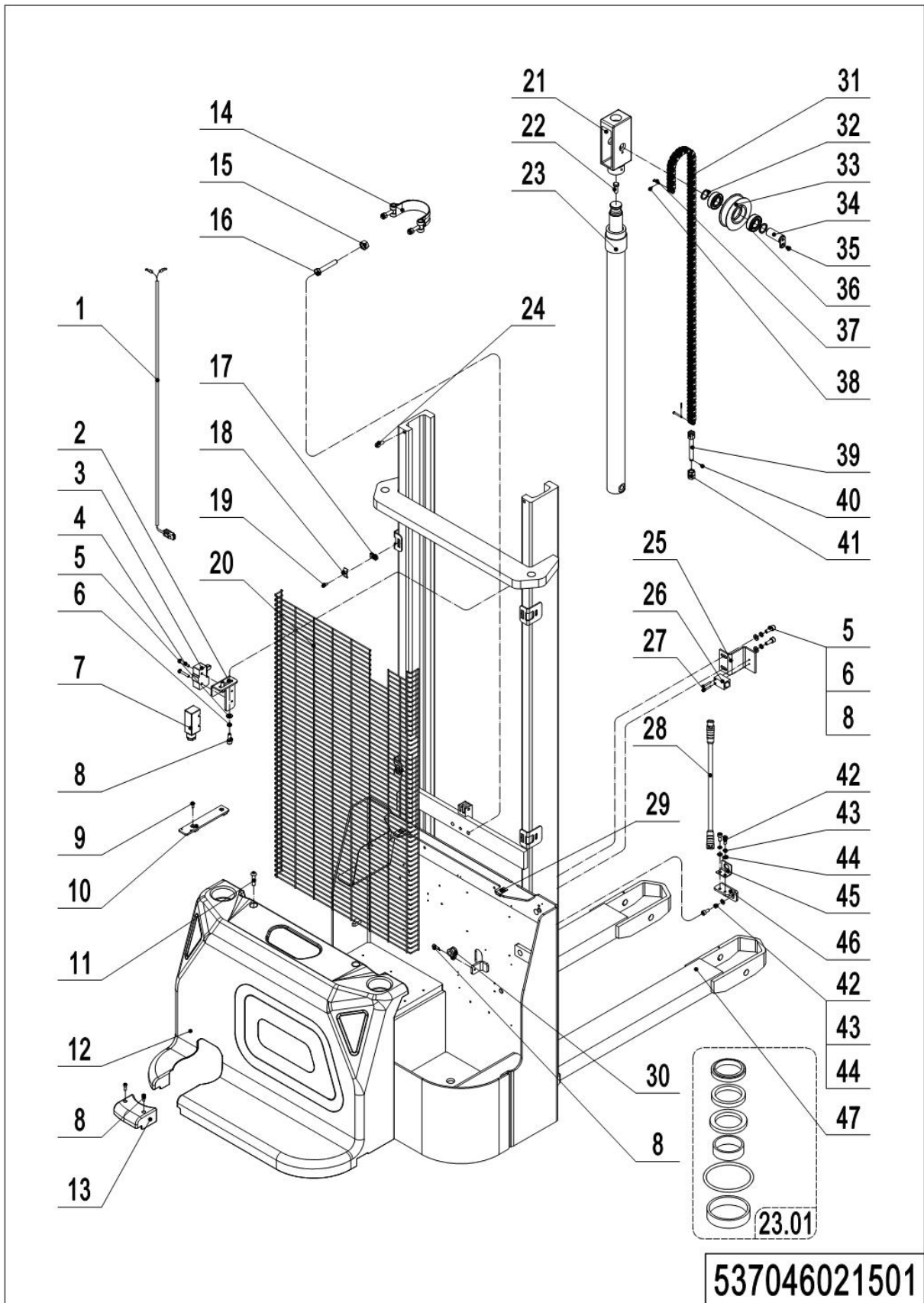
01 Fork Carriage (531846038001)



01 Fork Carriage (531846038001)

No.	Item Code	Mark	Item Description	Qty.	Substitute	Note
1	910200200035	1	Screw	2		Single mast
2	910400500005	1	Spring Washer	2		Single mast
3	910400100005	1	Flat Washer	2		Single mast
4	531838020010	2	Stop Plate	1		Single mast
5	940200300008		Compound Roller	4		
6	531838010002	2	Fork(,570x1150)	1		Single mast
6	531838010003	2	Fork(,685x1150)	1		Single mast
6	531838010000	2	Fork(570x1150)	1		Two-stage mast
6	531838010001	2	Fork(685x1150)	1		Two-stage mast

02 Chassis (Single Stage Mast) (537046021501)

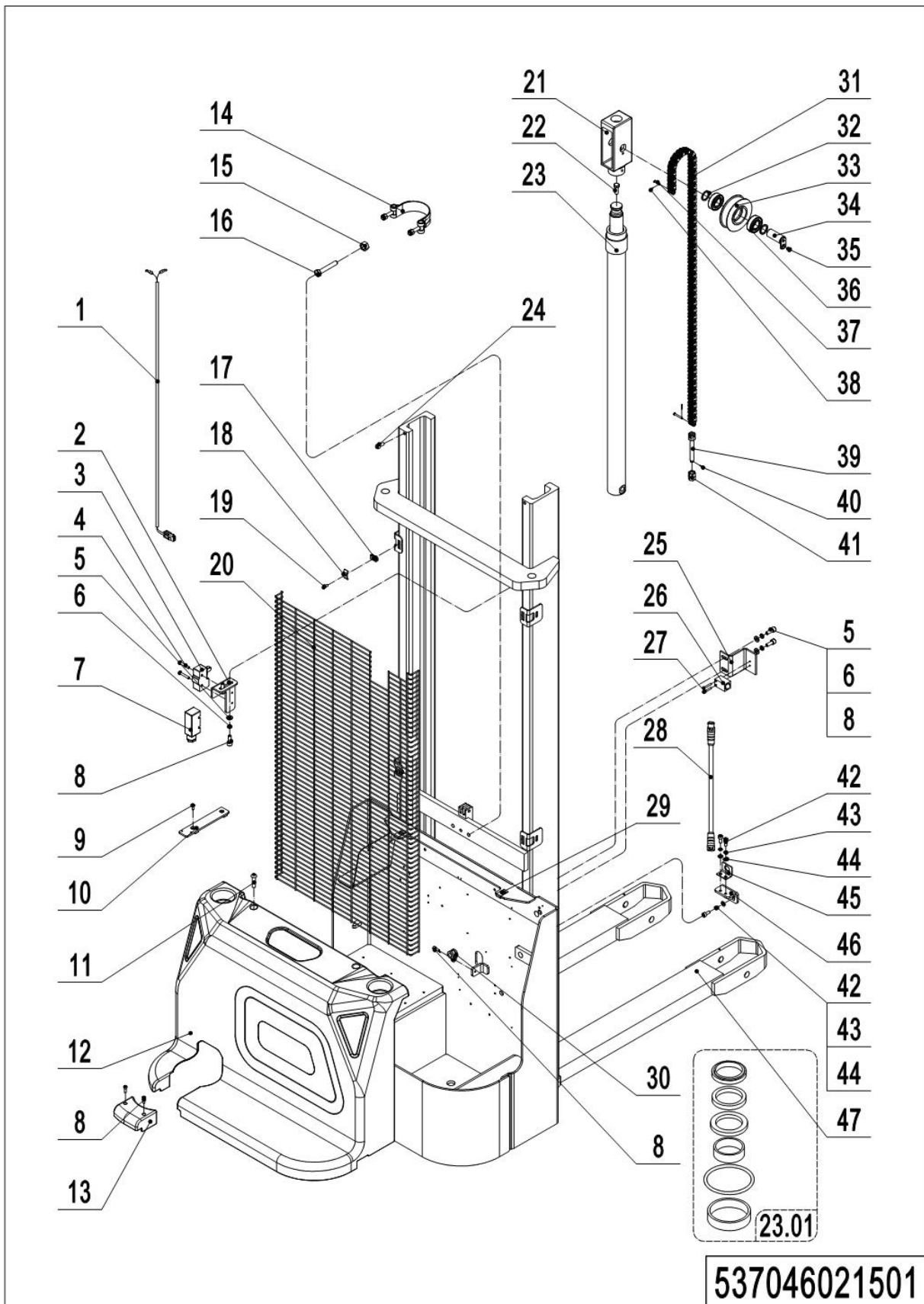


1= Supply as package. 2= Supply with constraints. 3= Phasing-out supply. 4= Supply as assembly. 5= Check other tables.

02 Chassis (Single Stage Mast) (537046021501)

No.	Item Code	Ma	Item Description	Qty.	Substitute	Note
1	53703301000		Wire Harness	1		
2	53182152000		Fixing Plate	1		
3	92020030000		Microswitch	1		
4	91020050002	1	Screw	2		
5	91040010000	1	Flat Washer	4		
6	91040050000	1	Spring Washer	4		
7	92020030000		Protective Cover	1		
8	91020020003	1	Screw	7		
9	91020040001	1	Screw	2		
10	53682151001		Bracket	1		
11	91020030003	1	Screw	2		
12	53682152002		Cover	1		
13	53682152002		Close Plate	1		
14	94080060000		Hoop	1		
15	91030010000	1	Nut	1		
16	91010030003	1	Bolt	1		
17	94040040000	1	Cage Nut	4		
18	32044302032		Press Plate	4		
19	91020030001	1	Screw	4		
20	53702152001		Protective Frame	1		1600
20	53702152001		Protective Frame	1		2000
21	53182152002		Yoke	1		
22	91010030004	1	Bolt	1		
23	53182151001		Cylinder	1		1600
23	53182151001		Cylinder	1		2000
23.01	53269851000	1	Seal Kit	1		
24	91020020007	1	Screw	2		
25	53202152005		Fixing Plate	1		

02 Chassis (Single Stage Mast) (537046021501) Continuation

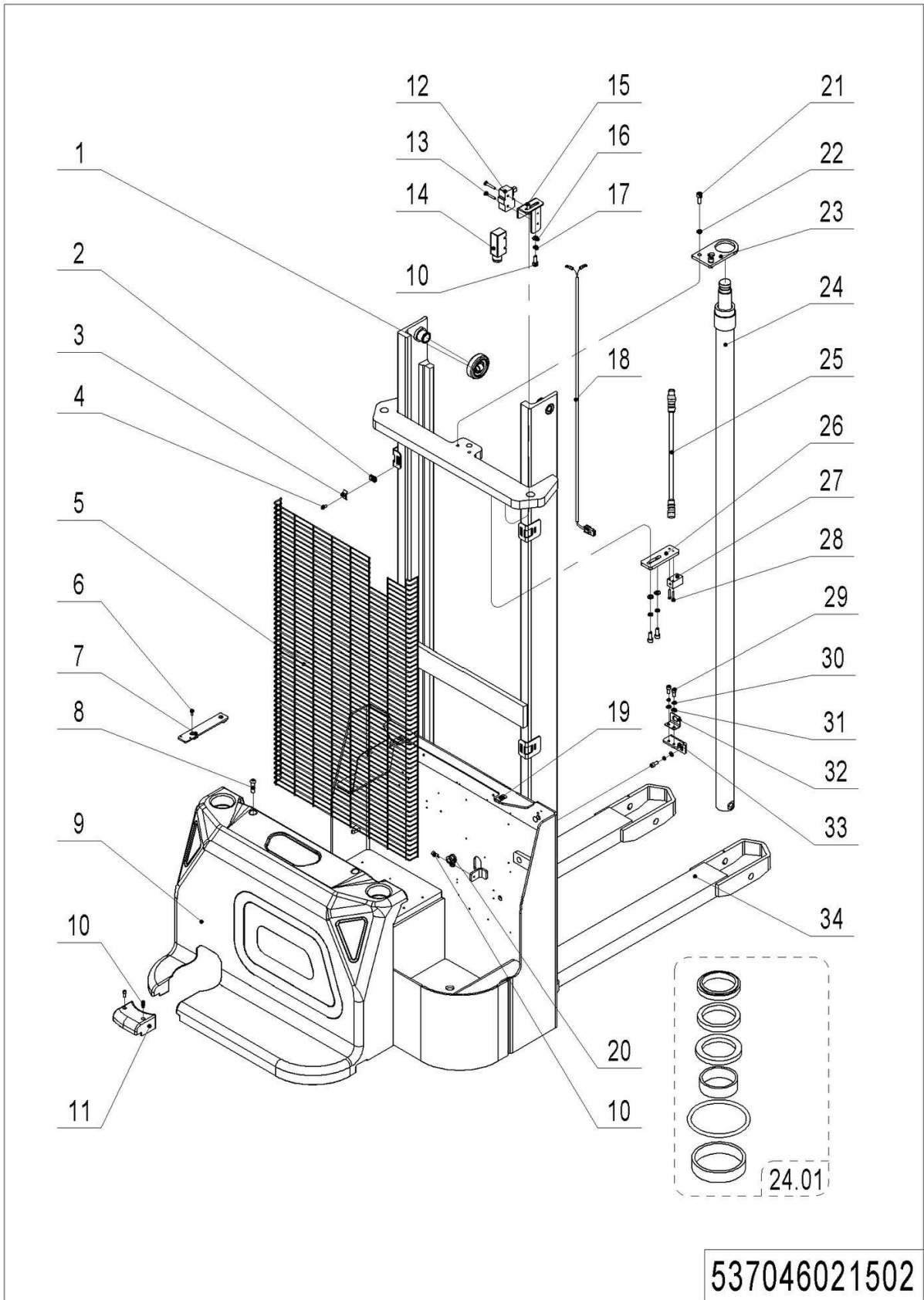


1= Supply as package. 2= Supply with constraints. 3= Phasing-out supply. 4= Supply as assembly. 5= Check other tables.

02 Chassis (Single Stage Mast) (537046021501) Continuation

No.	Item Code	Mar	Item Description	Qty.	Substitute	Note
26	920200400030		Proximity Switch	1		
27	910200500015	1	Screw	2		
28	531833010002		Wire	1		
29	940400400003	1	Cage Nut	2		
30	951000100001		Hose Clamp	1		
31	532643510087		Chain	1		1600
31	531821510014		Chain	1		2000
32	940600500008		Washer	2		
33	940200400003		Sprocket	1		
34	532644010035		Pin	1		
35	910200400016	1	Screw	1		
36	910700200021		Bearing	2		
37	941100800008		Pin	2		
38	910600600015		Cotter Pin	2		
39	532644020096		Chain Anchor	1		
40	910600600037		Cotter Pin	1		
41	910300200008	1	Nut	2		
42	910200200022	1	Screw	4		
43	910400500004	1	Spring Washer	4		
44	910400100004	1	Flat Washer	4		
45	921300300003		Holder	1		
46	531821520031		Mounting Plate	1		
47	537021510010	2	Chassis(1600,570x115	1		
47	537021510011	2	Chassis(2000,570x115	1		
47	537021510012	2	Chassis(1600,685x115	1		
47	537021510013	2	Chassis(2000,685x115	1		

03 Chassis (Two Stage Mast) (537046021502)

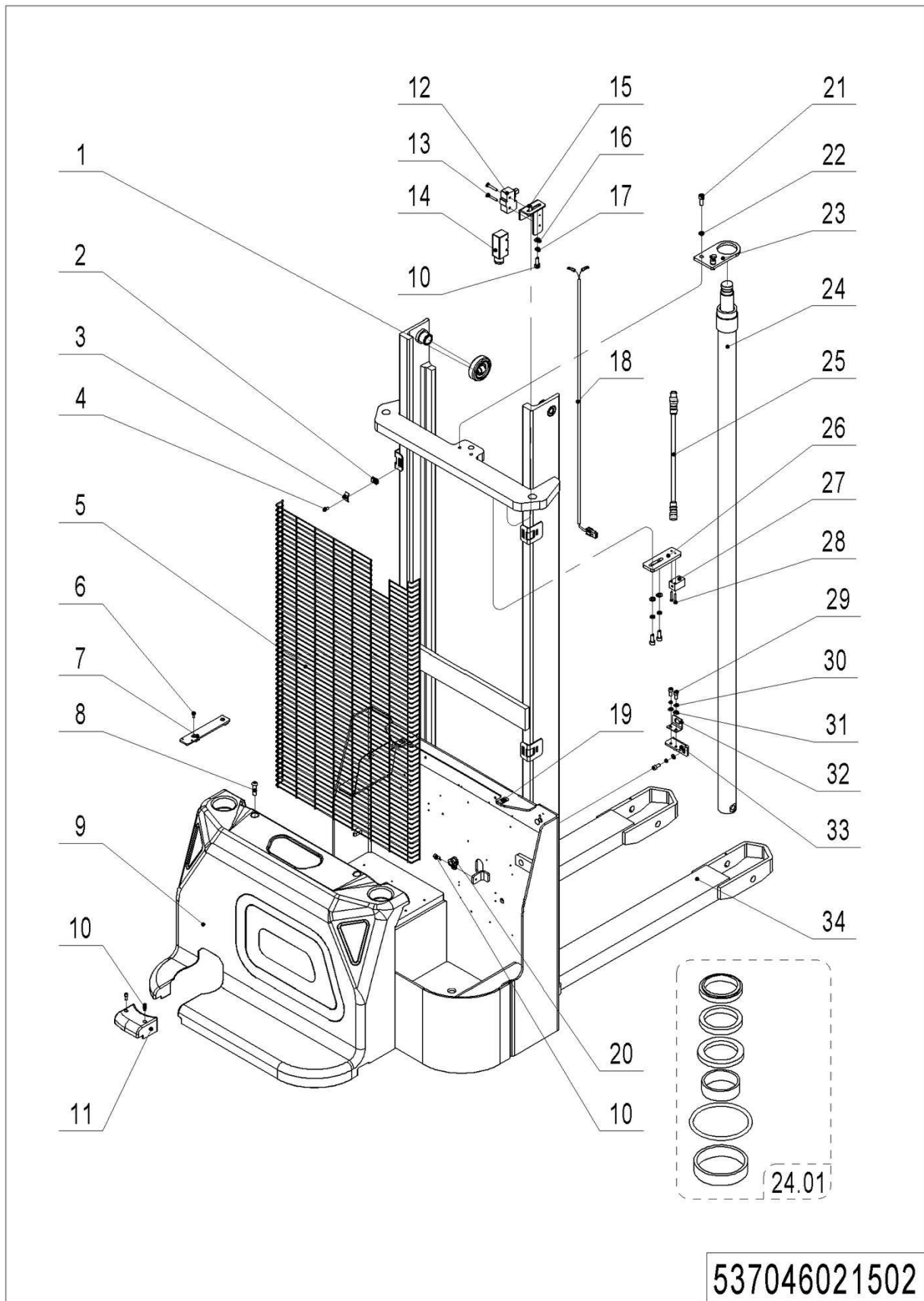


1= Supply as package. 2= Supply with constraints. 3= Phasing-out supply. 4= Supply as assembly. 5= Check other tables.

03 Chassis (Two Stage Mast) (537046021502)

No.	Item Code	Ma	Item Description	Qty.	Substitute	Note
1	940200300007		Compound Roller	2		
2	940400400001	1	Cage Nut	4		
3	320443020321	2	Press Plate	4		
4	910200300018	1	Screw	4		
5	537021520009	2	Protective Frame	1		2600
5	537021520010	2	Protective Frame	1		2900
5	537021520011	2	Protective Frame	1		3200
5	537021520012	2	Protective Frame	1		3600
6	910200400012	1	Screw	2		
7	536821510010	2	Bracket	1		
8	910200300032	1	Screw	2		
9	536821520023	2	Cover	1		
10	910200200035	1	Screw	7		
11	536821520022	2	Close Plate	1		
12	920200300001		Microswitch	1		
13	910200500027	1	Screw	2		
14	920200300008		Protective Cover	1		
15	531821520006	2	Fixing Plate	1		
16	910400100005	1	Flat Washer	4		
17	910400500005	1	Spring Washer	4		
18	537033010008	2	Wire Harness	1		
19	940400400003	1	Cage Nut	2		
20	951000100001	1	Hose Clamp	1		
21	910200200076	1	Screw	2		
22	910400500007	1	Spring Washer	2		
23	532644020097	2	Fixing Plate	1		
24	532644010031	2	Cylinder	1		2600
24	532644010031	2	Cylinder	1		2900
24	532644010037	2	Cylinder	1		3200
24	532644010041	2	Cylinder	1		3600

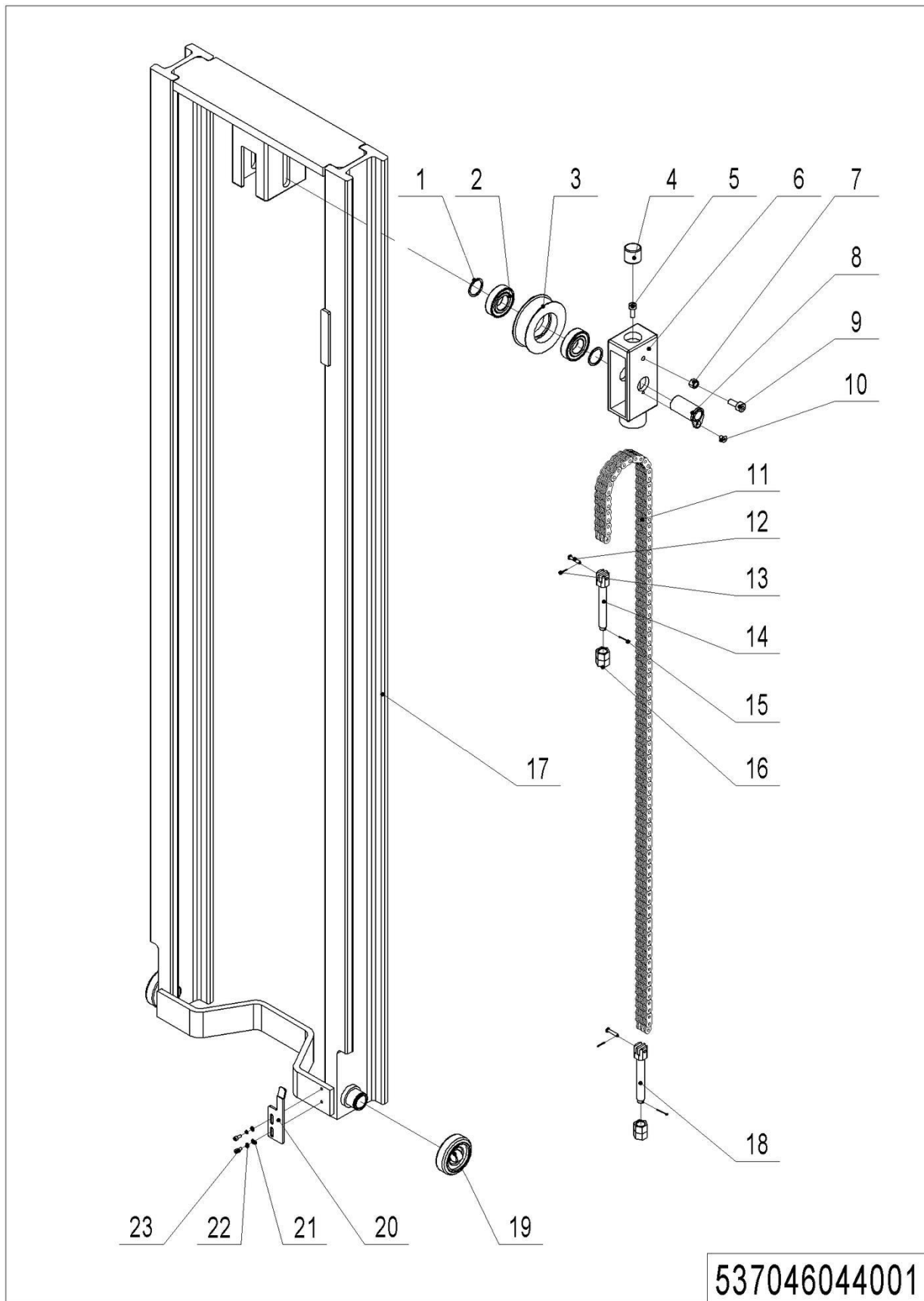
03 Chassis (Two Stage Mast) (537046021502) Continuation



1= Supply as package. 2= Supply with constraints. 3= Phasing-out supply. 4= Supply as assembly. 5= Check other tables.

03 Chassis (Two Stage Mast) (537046021502) Continuation

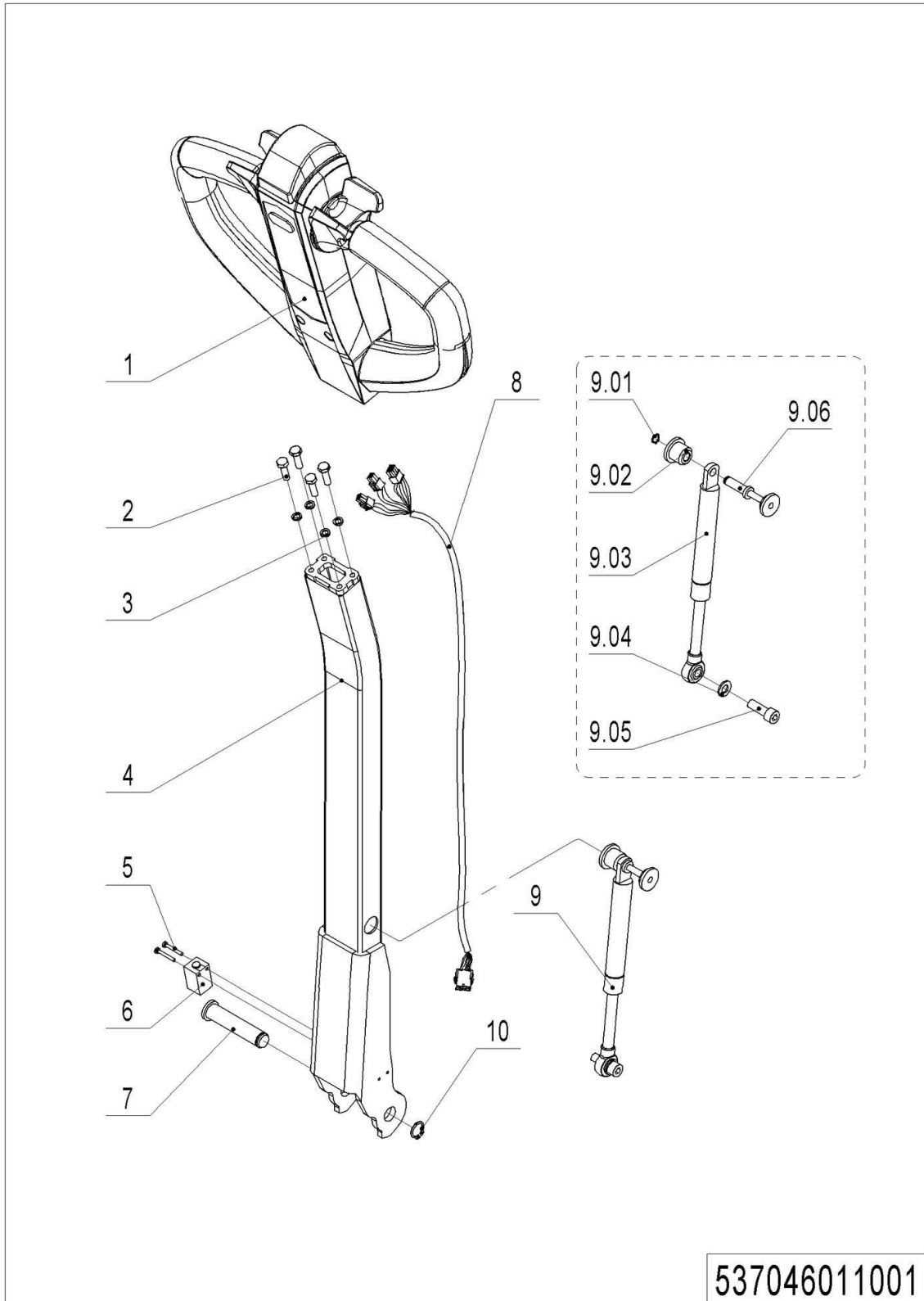
No.	Item Code	Ma	Item Description	Qty.	Substitute	Note
24.01	532698510001	1	Seal Kit	1		
25	531833010002	2	Wire	1		
26	531821520007	2	Fixing Plate	1		
27	920200400030		Proximity Switch	1		
28	910200500015	1	Screw	2		
29	910200200022	1	Screw	4		
30	910400500004	1	Spring Washer	4		
31	910400100004	1	Flat Washer	4		
32	921300300003		Holder	1		
33	531821520031		Mounting Plate	1		
34	537021510006	2	Chassis(2600,570x1150)	1		
34	537021510000	2	Chassis(2900,570x1150)	1		
34	537021510001	2	Chassis(3200,570x1150)	1		
34	537021510002	2	Chassis(3600,570x1150)	1		
34	537021510007	2	Chassis(2600,685x1150)	1		
34	537021510003	2	Chassis(2900,685x1150)	1		
34	537021510004	2	Chassis(3200,685x1150)	1		
34	537021510005	2	Chassis(3600,685x1150)	1		

04 Inner Mast Assembly (537046044001)

1= Supply as package. 2= Supply with constraints. 3= Phasing-out supply. 4= Supply as assembly. 5= Check other tables.

04 Inner Mast Assembly (537046021501)

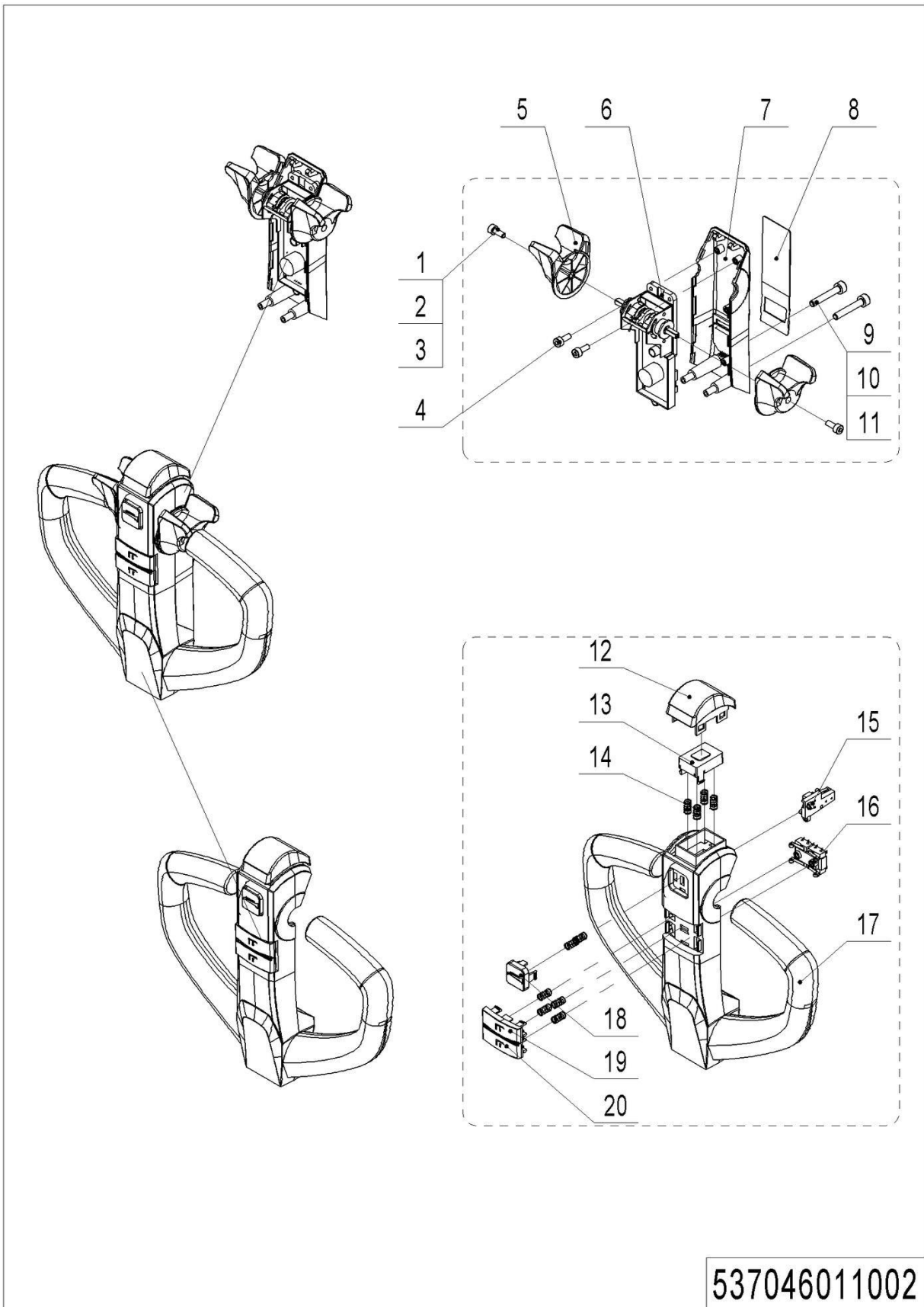
No.	Item Code	Ma	Item Description	Qty.	Substitute	Note
1	940600500008	1	Washer	2		
2	910700200021		Bearing	2		
3	940200400003		Sprocket	1		
4	532644020094		Crash Pad	1		
5	910100300049	1	Bolt	1		
6	531821520028	2	Yoke	1		
7	910300300005	1	Nut	2		
8	532644010035		Pin	1		
9	910200200075	1	Screw	2		
10	910200400014	1	Screw	1		
11	537044010010	2	Chain	1		2600
11	532644010083	2	Chain	1		2900
11	532644010068	2	Chain	1		3200
11	532644010069	2	Chain	1		3600
12	941100800008	1	Pin	2		
13	910600600015	1	Cotter Pin	2		
14	532644020096		Chain Anchor	1		
15	910600600037	1	Cotter Pin	2		
16	910300200008	1	Nut	4		
17	537044010003	2	Inner Mast(2600)	1		
17	531821510005	2	Inner Mast(2900)	1		
17	531821510003	2	Inner Mast(3200)	1		
17	531821510000	2	Inner Mast(3600)	1		
18	532643520137		Chain Anchor	1		
19	940200300007		Compound Roller	2		
20	531821520001	2	Stop Plate	1		
21	910400100005	1	Flat Washer	2		
22	910400500005	1	Spring Washer	2		
23	910200300017	1	Screw	2		

Chapter 4: Steering System, Braking System, Wheels**01 Tiller Unit (537046011001)**

01 Tiller Unit (537046011001)

No.	Item Code	Mark	Item Description	Qty.	Substitute	Note
1	-----	2	Tiller	1		Check 537046011002
2	910100300011	1	Bolt	4		
3	910400500005	1	Spring Washer	4		
4	536811010000	2	Tiller	1		
5	941101100001	1	Screw	2		
6	920200400033		Proximity Switch	1		
7	508011020004		Pin	1		
8	537033010002	2	Wire Harness	1		
9	508098510084		Gas Spring Kit	1		
9.01	910401300001	1	Circlip	1		
9.02	508011020005		Fixing Base	1		
9.03	532211020003		Gas Spring	1		
9.04	910400100006	1	Flat Washer	1		
9.05	910200200058	1	Screw	1		
9.06	508011010002		Pin	1		
10	910401300006	1	Circlip	1		

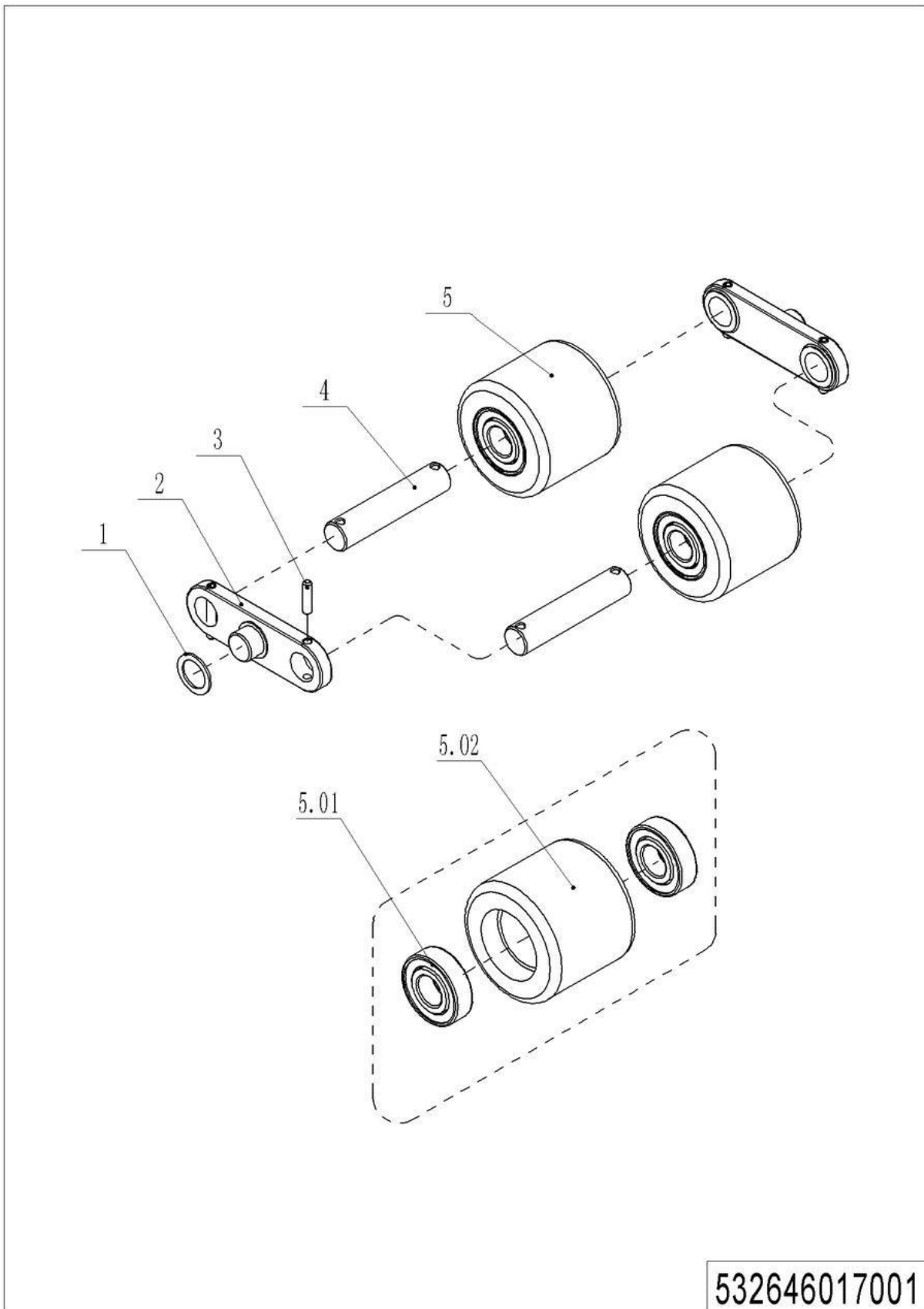
02 Tiller (537046011002)



537046011002

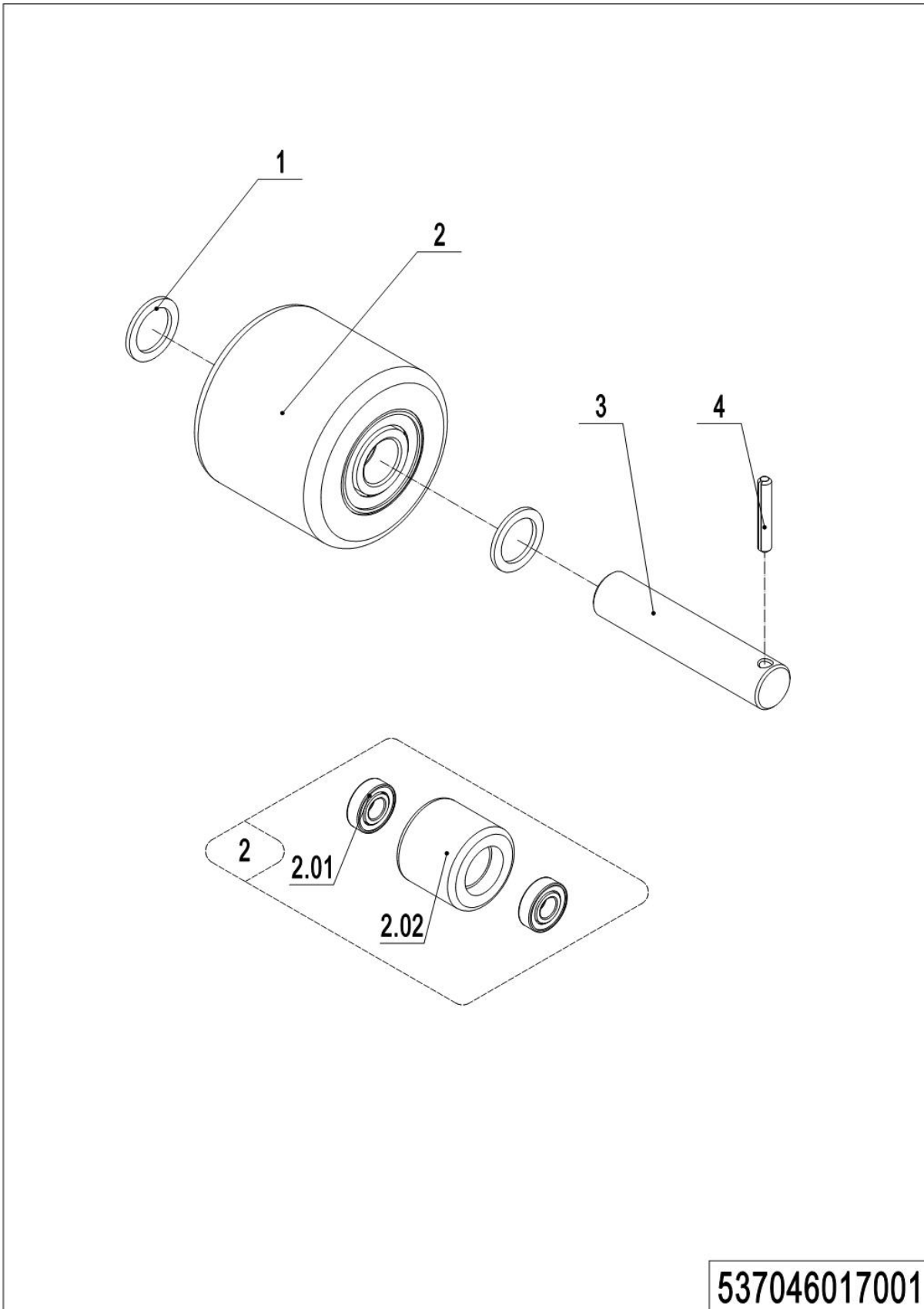
02 Tiller (537046011002)

No.	Item Code	Mark	Item Description	Qty.	Substitute	Note
--	9221001000	2	Tiller	1		
1	910200200004	1	Screw	2		
2	910400500002	1	Spring Washer	2		
3	910400100002	1	Flat Washer	2		
4	910200500022	1	Screw	4		
5	537098520008	2	Acceleration Switch	2		
6	537098510002	2	Accelerator	1		
7	536898520011	2	Cover	1		
8	536898520012	2	Button	1		
9	910200200159	1	Screw	2		
10	910400500004	1	Spring Washer	2		
11	910400100004	1	Flat Washer	2		
12	537098520007	2	Switch	1		
13	537098520006	2	Cover	1		
14	537098520005	1	Spring	10		
15	537098510001	2	Wire Harness	1		
16	537098510003	2	Wire Harness	1		
17	537098520001	2	Plastic Handle	1		
18	537098520004	2	Horn Button	1		
19	537098520003	2	Switch	1		
20	537098520002	2	Switch	1		

03 Load Roller(Tandem Rollers) (532646017001)

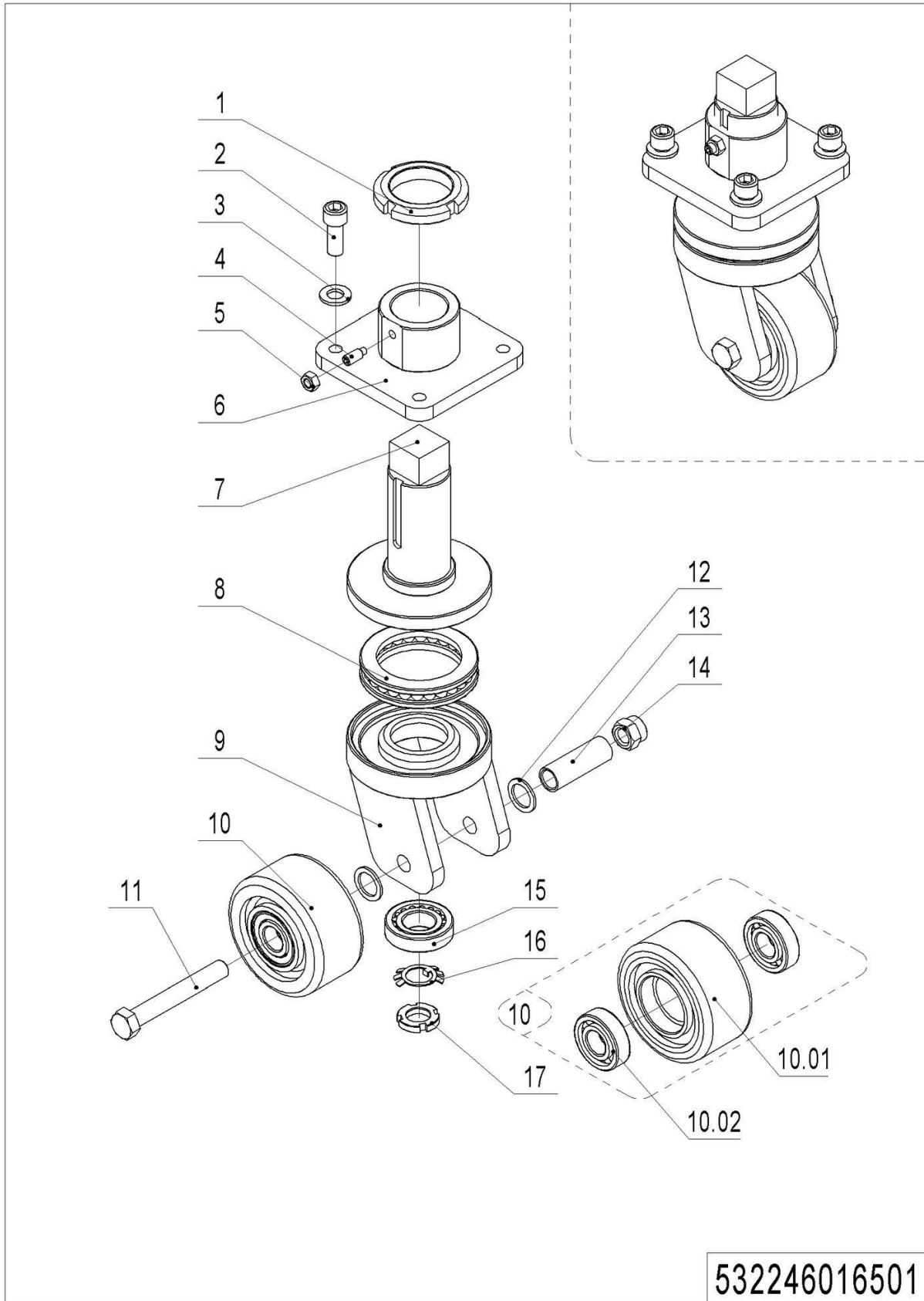
03 Load Roller(Tandem Rollers) (532646017001)

No.	Item Code	Mark	Item Description	Qty.	Substitute	Note
1	940600500012	2	Washer	4		
2	532617020002	2	Plate	4		
3	910600400027	1	Spring Pin	8		
4	502317020001	2	Axle	4		
5	502398510002		Wheel	4		
5.01	910700200019		Bearing	8		
5.02	940300300005		WheelΦ80x70	4		

04 Load Roller(Single Roller) (537046017001)

04 Load Roller(Single Roller) (537046017001)

No.	Item Code	Mar	Item Description	Qty.	Substitute	Note
1	9406005000		Washer	2		
2	5023985100		Wheel	1		
2.01	9107002000		Bearing	2		
2.02	9403003000		WheelΦ80x93	1		
3	5322170200		Axle	1		
4	9106004000		Spring Pin	1		

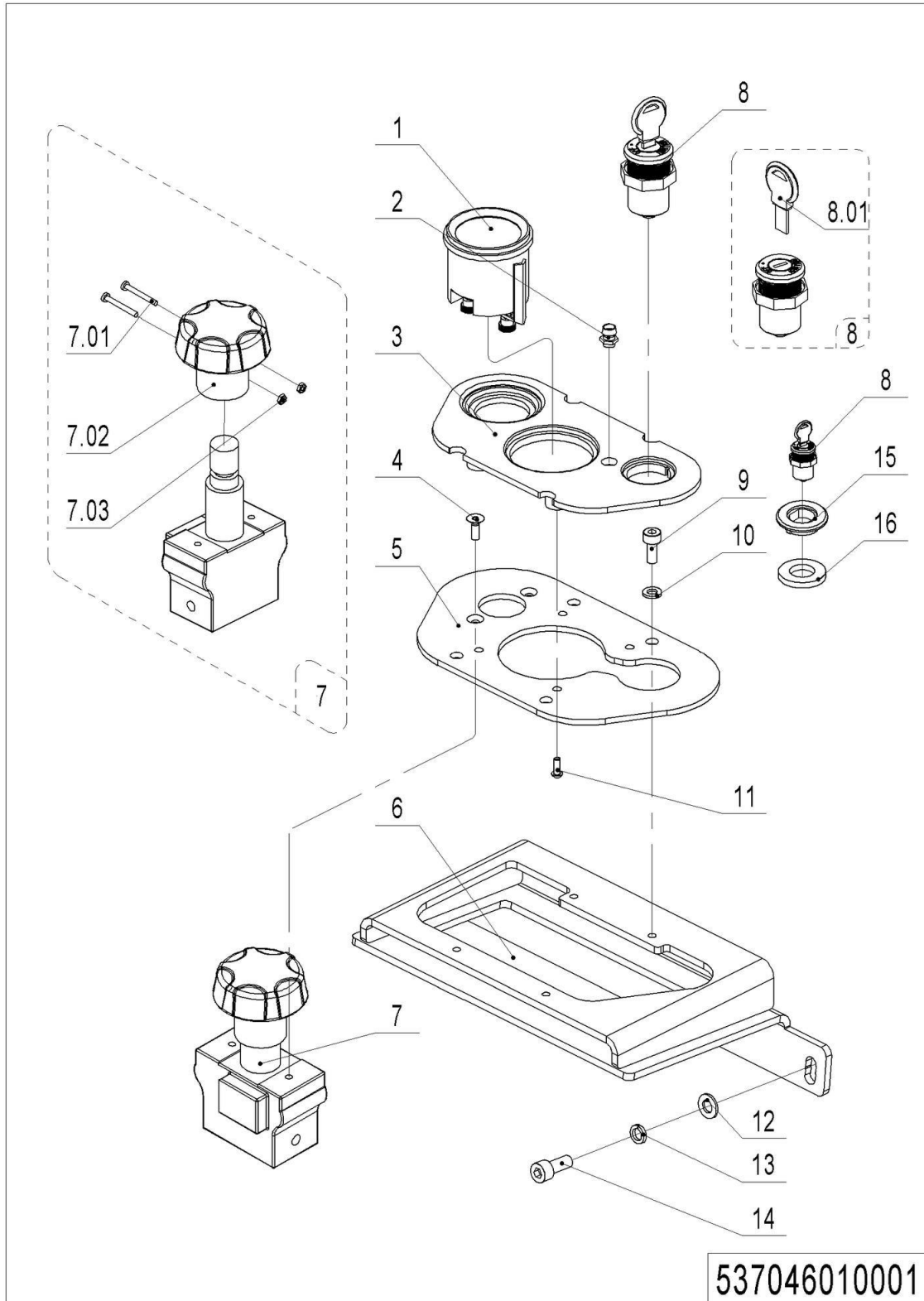
05 Caster (532246016501)

05 Caster (532246016501)

No.	Item Code	Mark	Item Description	Qty.	Substitute	Note
1	941100900004	1	Nut	1		
2	910200200098	1	Screw	4		
3	910400100008	1	Flat Washer	4		
4	910201000012	1	Screw	1		
5	910300100006	1	Nut	1		
6	532216510003	2	Fixing Base	1		
7	532216510002	2	Axle	1		
8	910700700011		Bearing	1		
9	532216510001	2	Wheel Carrier	1		
10	532298510004		Caster Assembly	1		
10.01	940300300030		WheelΦ100x50	1		
10.02	910700200019		Bearing	2		
11	910100100069	1	Bolt	1		
12	940600500005	1	Washer	4		
13	532216520006		Sleeve	1		
14	910300500007	1	Nut	1		
15	910700600001		Bearing	1		
16	910400900002	1	Lock Washer	1		
17	910300700008	1	Nut	1		

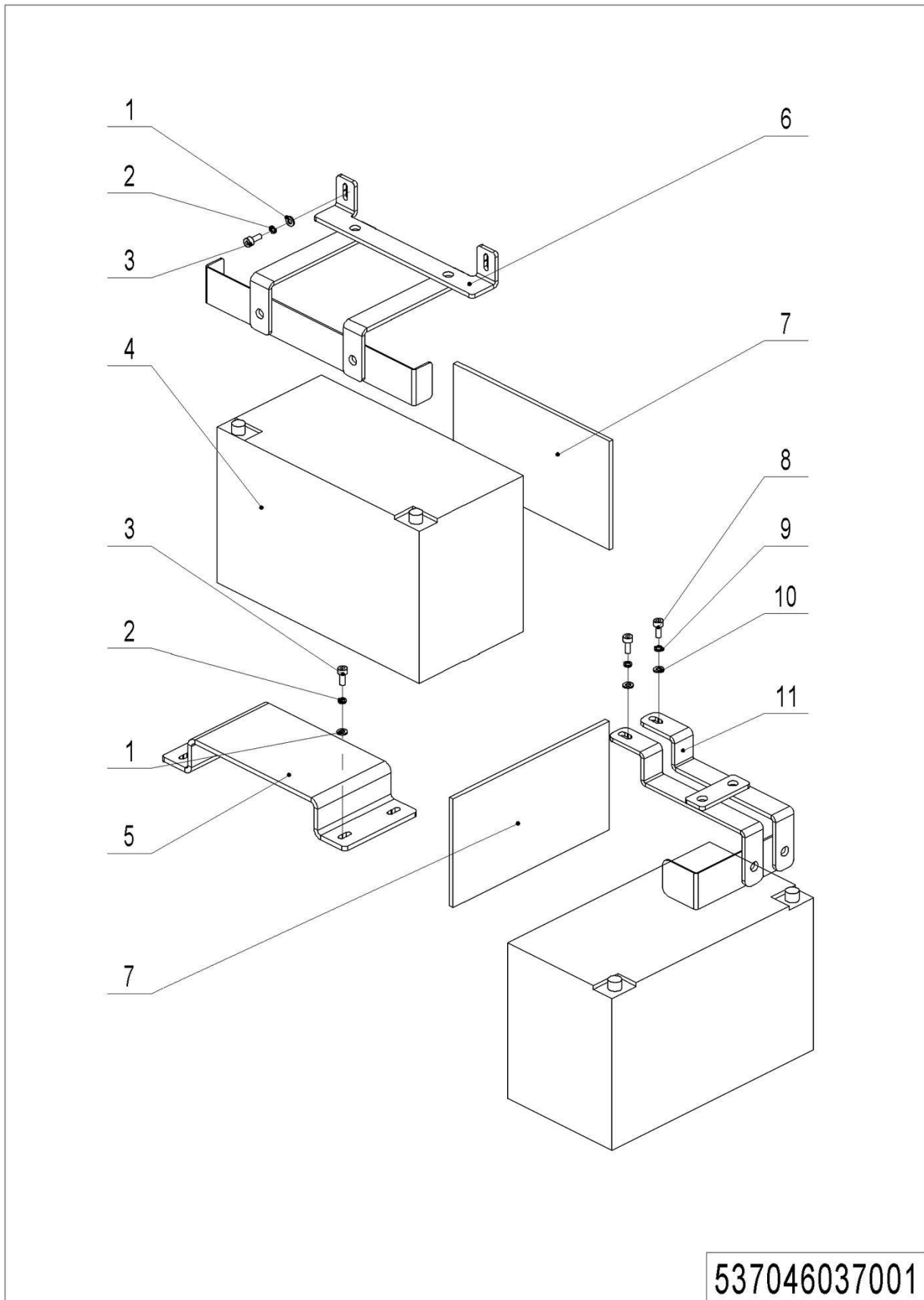
Chapter 5: Electrical Parts

01 Display Assembly (537046010001)



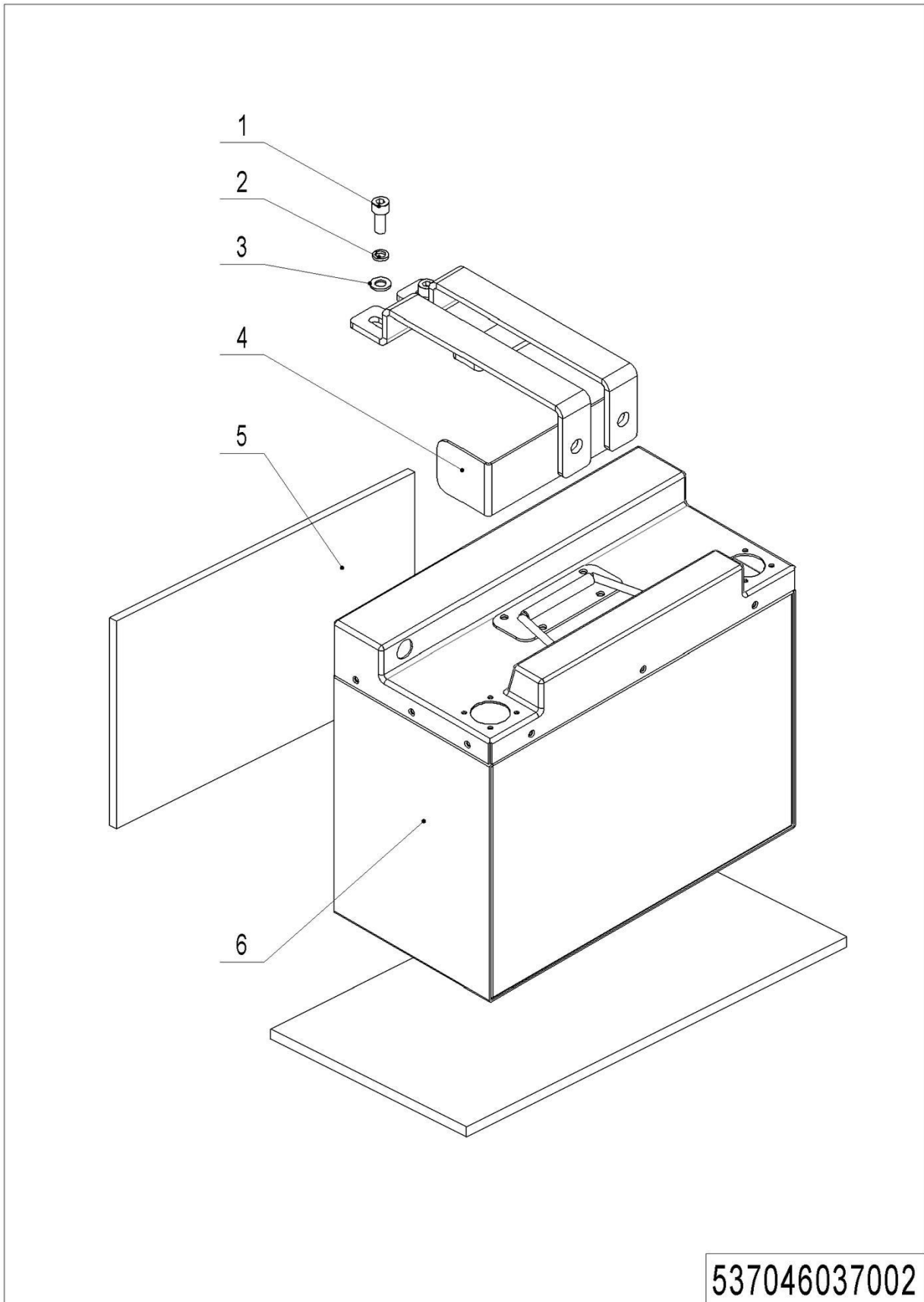
01 Display Assembly (537046010001)

No.	Item Code	Mark	Item Description	Qty.	Substitute	Note
1	921100100018		Battery Indicator	1		
1	921100100081		Coulombmeter	1		Only For Lithium Battery
2	922000100024	1	Lamp Holder	1		
3	536810020002	2	Panel	1		
4	910200400011	1	Screw	2		
5	534710020005	2	Fixing Base	1		
6	536810010000	2	Mounting Plate	1		
7	920200100001		Emergency Button	1		
7.01	910200500016	1	Screw	2		
7.02	505698520029		Button	1		
7.03	910300100002	1	Nut	2		
8	920200200001		Key Switch	1		
8	920200200021		Key Switch	1		Only For Lithium Battery
8.01	505698520031		Key	1		
8.01	920200200024		Key	1		Only For Lithium Battery
9	910200200033	1	Screw	4		
10	910400100005	1	Flat Washer	4		
11	910201300001	1	Screw	4		
12	910400100006	1	Flat Washer	4		
13	910400500006	1	Spring Washer	4		
14	910200200057	1	Screw	4		
15	531810020002		Mounting Base	1		Only For Lithium Battery
16	910400100012	1	Flat Washer	1		Only For Lithium Battery

02 Traction Battery (537046037001)

02 Traction Battery (537046037001)

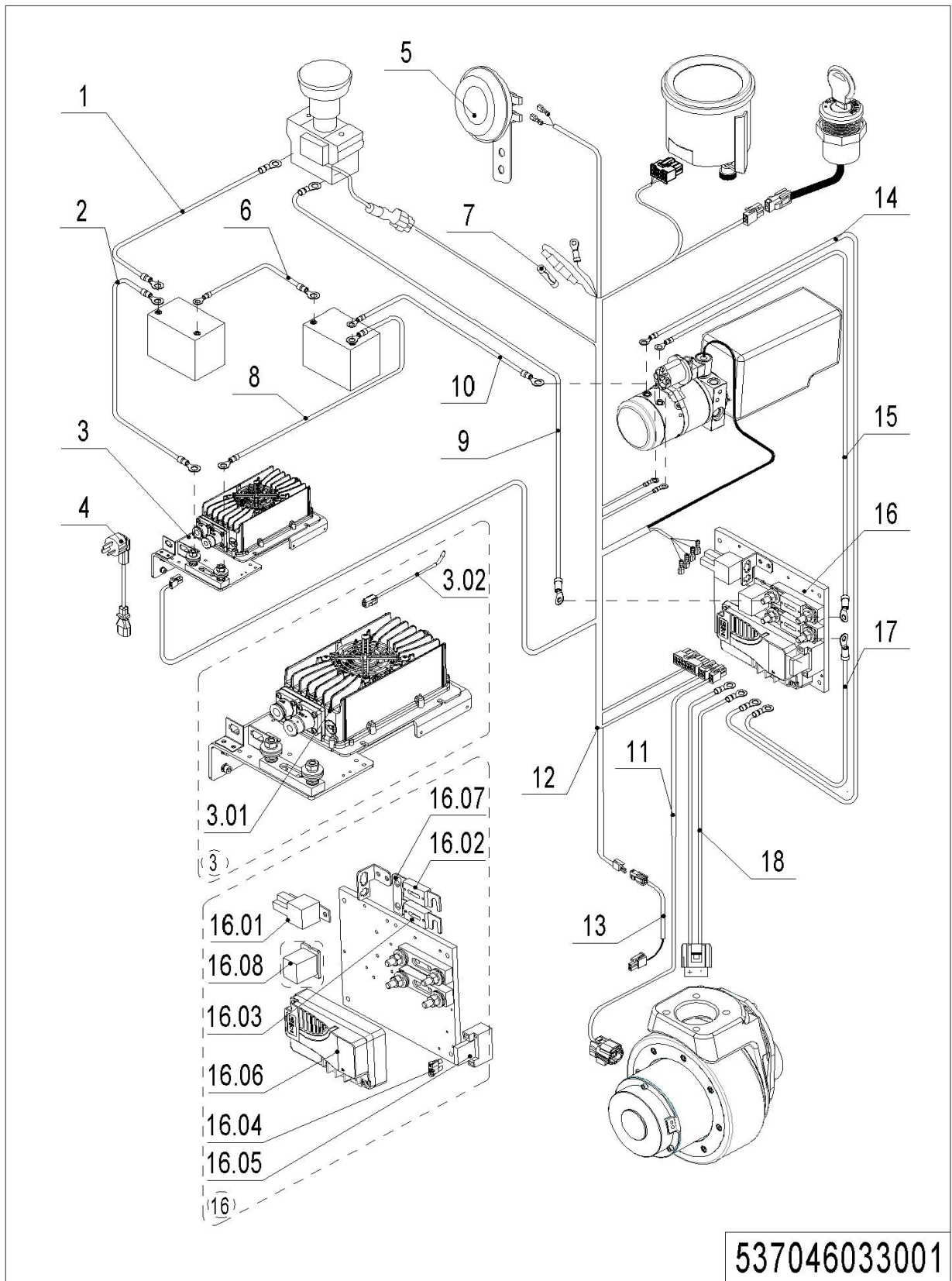
No.	Item Code	Mark	Item Description	Qty.	Substitute	Note
1	910400100005	1	Flat Washer	6		
2	910400500005	1	Spring Washer	6		
3	910200200033	1	Screw	6		
4	920600100107		Battery12V106Ah	2		
5	537037020001	2	Bracket	1		
6	537037010000	2	Mounting Plate	1		
7	531837020011		Crash Pad	2		
8	910200200057	1	Screw	2		
9	910400500006	1	Spring Washer	2		
10	910400100006	1	Flat Washer	2		
11	537237010001	2	Mounting Plate	1		

03 Traction Battery (Lithium Battery) (537046037002)

03 Traction Battery (Lithium Battery) (537046037002)

No.	Item Code	Mark	Item Description	Qty.	Substitute	Note
1	910200200057	1	Screw	2		
2	910400500006	1	Spring Washer	2		
3	910400100006	1	Flat Washer	2		
4	536837010002	2	Press Plate	1		
5	531837020011		Crash Pad	2		
6	920600100129		Li Battery24V60Ah	1		

04 Wire Harness (537046033001)



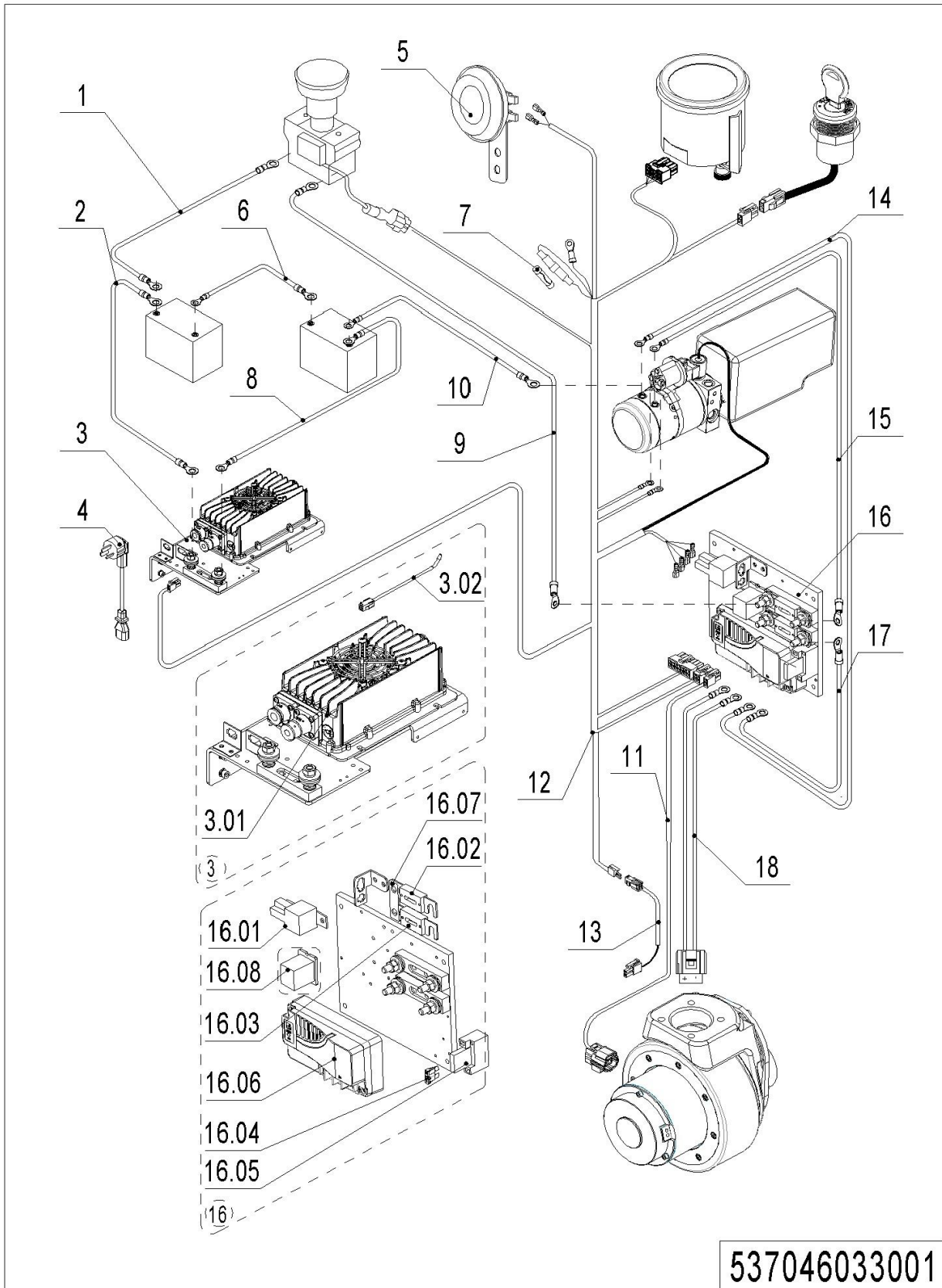
537046033001

1= Supply as package. 2= Supply with constraints. 3= Phasing-out supply. 4= Supply as assembly. 5= Check other tables.

04 Wire Harness (537046033001)

No.	Item Code	Mark	Item Description	Qty.	Substitute	Note
1	537033010005	2	Cable	1		
1	537033010012	2	Cables	1		Only For Lithium Battery
2	537233010012	2	Cables	1		
2	537033010014	2	Cables	1		Only For Lithium Battery
3	537036510000	2	charger24V15A(Asia)	1		
3	537036510001	2	charger24V15A(ENG)	1		
3	537036510002	2	charger24V15A(US)	1		
3	537036510003	2	charger24V15A(EU)	1		
3	537036510004	2	charger24V15A(AUS)	1		
3	537036510005	2	charger24V15A(ITA)	1		
3	537036510006	2	charger24V15A(SWE)	1		
3	537036510007	2	Charger 24V25A (Aisa)	1		Only For Lithium Battery
3	537036510008	2	Charger 24V25A (ENG)	1		Only For Lithium Battery
3	537036510009	2	Charger 24V25A (USA)	1		Only For Lithium Battery
3	537036510010	2	Charger 24V25A (EU)	1		Only For Lithium Battery
3	537036510011	2	Charger 24V25A (AUS)	1		Only For Lithium Battery
3	537036510012	2	Charger 24V25A (ITY)	1		Only For Lithium Battery
3	537036510013	2	Charger 24V25A (SWD)	1		Only For Lithium Battery
3.01	921000100056	2	Charger24V15A	1		
3.01	921000100065	2	Charger 12V10A (ISR)	1		
3.02	922000100025	2	Lamp	1		
4	921500200008	2	Spring Cable (Asia)	1		
4	921500200004	2	Spring Cable(ENG)	1		
4	921500200002	2	Spring Cable(USA)	1		
4	921500200005	2	Spring Cable(EU)	1		
4	921500200003	2	Spring Cable(AUS)	1		
4	921500200006	2	Spring Cable(ITY)	1		
4	921500200007	2	Spring Cable(SWD)	1		
5	920500100001	2	Horn	1		
6	537233010011	2	Cable	1		

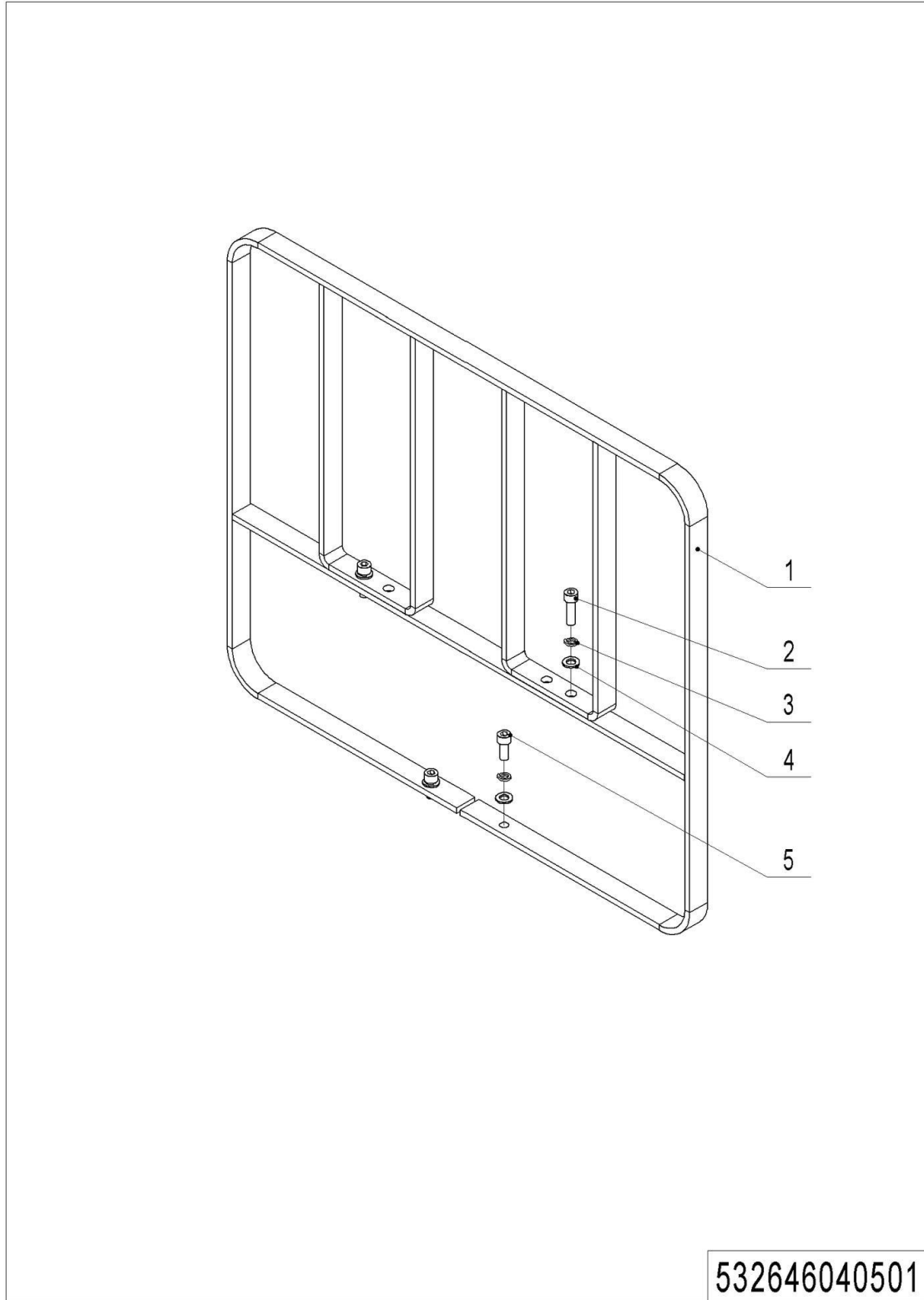
04 Wire Harness (537046033001) Continuation



1= Supply as package. 2= Supply with constraints. 3= Phasing-out supply. 4= Supply as assembly. 5= Check other tables.

04 Wire Harness (537046033001) Continuation

No.	Item Code	Mark	Item Description	Qty.	Substitute	Note
7	920100300001		Fuse	1		
8	537233010013	2	Cables	1		
8	537033010015	2	Cables	1		
9	537033010004	2	Cable	1		
10	537233010006	2	Cable	1		
10	537233010013	2	Cables	1		Only For Lithium Battery
11	537033010007	2	Wire Harness	1		
12	537033010001	2	Wire Harness	1		
12	537033010011	2	Wire Harness	1		Only For Lithium Battery
13	537033010010	2	Wire Harness	1		
14	537233010008	2	Cables	1		
15	537233010004	2	Cable	1		
16	537033010000	2	Electronic Components	1		
16.01	920800100011	2	Relay	1		
16.02	920100100008	2	Fuse	1		
16.03	920100100004	2	Fuse	1		
16.04	920100200002	2	Fuse	1		
16.05	920100400006	2	Fuse Holder	1		
16.06	921400100097	2	Controller	1		
16.07	505633020003	2	Copper Busbar	1		
16.08	532033010023	2	Module	1		
17	537233010003	2	Cables	1		
18	537033010006	2	Wire Harness	1		

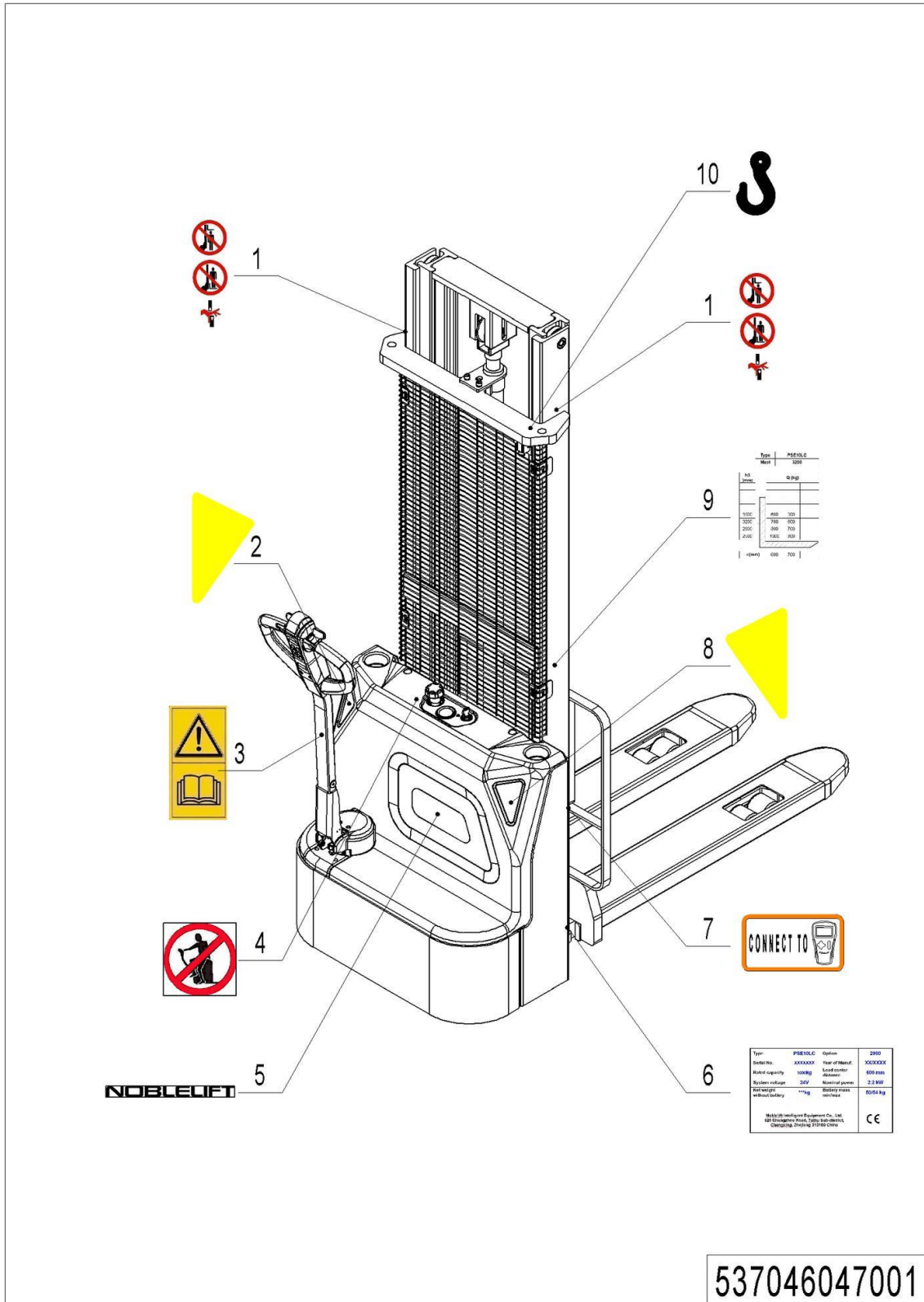
Chapter 6: Special Parts**01 Load Backrest(Optional) (532646040501)**

01 Load Backrest(Optional) (532646040501)

No.	Item Code	Mark	Item Description	Qty.	Substitute	Note
1	532640510001	2	Load Backrest	1		
2	910200200077	1	Screw	2		
3	910400500007	1	Spring Washer	4		
4	910400100007	1	Flat Washer	4		
5	910200200076	1	Screw	2		

Chapter 7: Others

01 Label and Decal(EU) (537046047001)

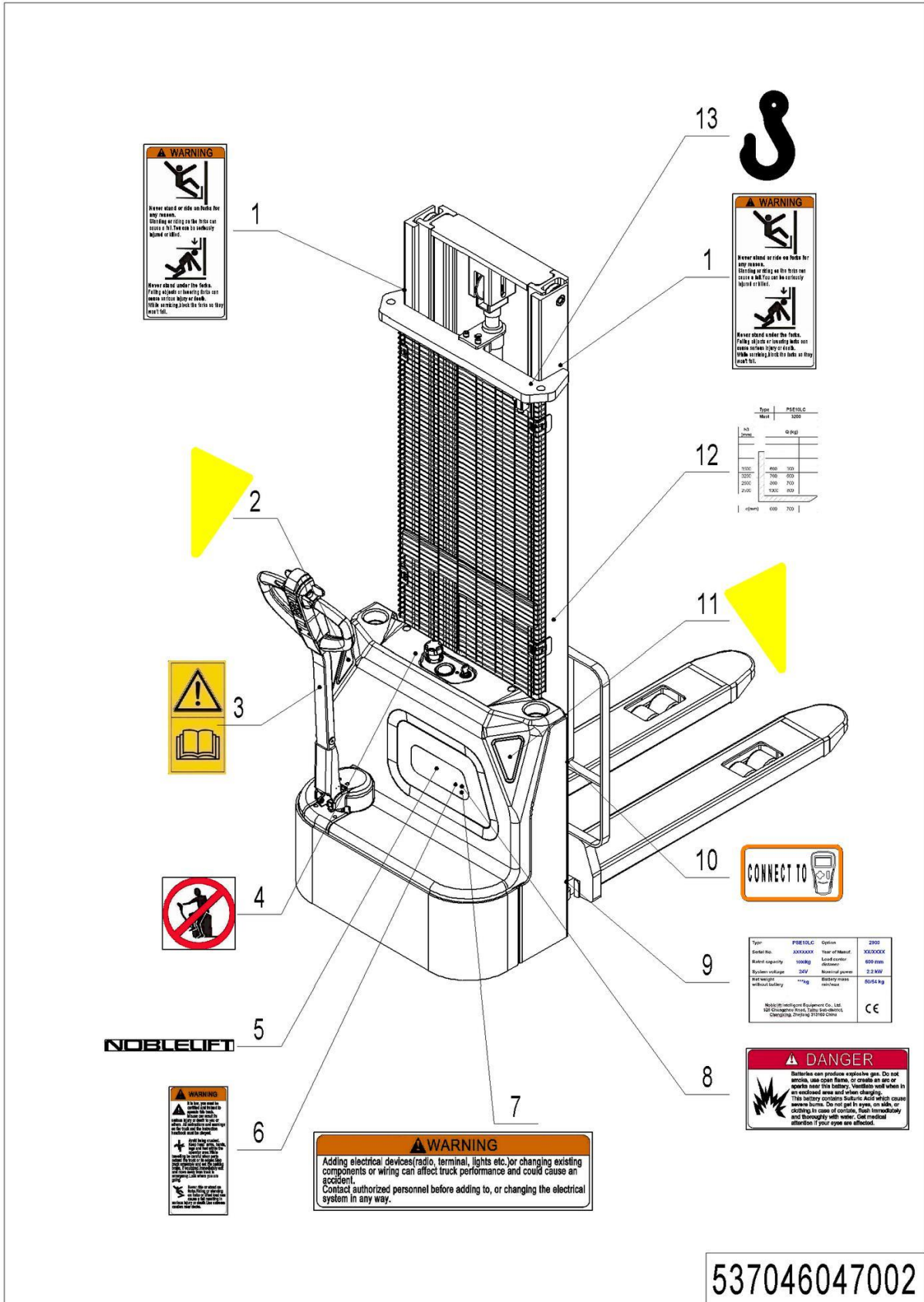


1= Supply as package. 2= Supply with constraints. 3= Phasing-out supply. 4= Supply as assembly. 5= Check other tables.

01 Label and Decal(EU) (537046047001)

No.	Item Code	Mark	Item Description	Qty.	Substitute	Note
1	941200100004		Label	2		
2	536847020001		Label	1		
3	941200300002		Label	1		
4	941200100003		Label	1		
5	941200500002		Label	1		Depends On Customer
6	537047502001		Truck data plate	1		
7	941200300019		Label	1		
8	536847020000		Label	1		
9	537047502002		Load Capacity Diagram	1		
10	941200300001		Label	2		

02 Label and Decal(USA) (537046047002)



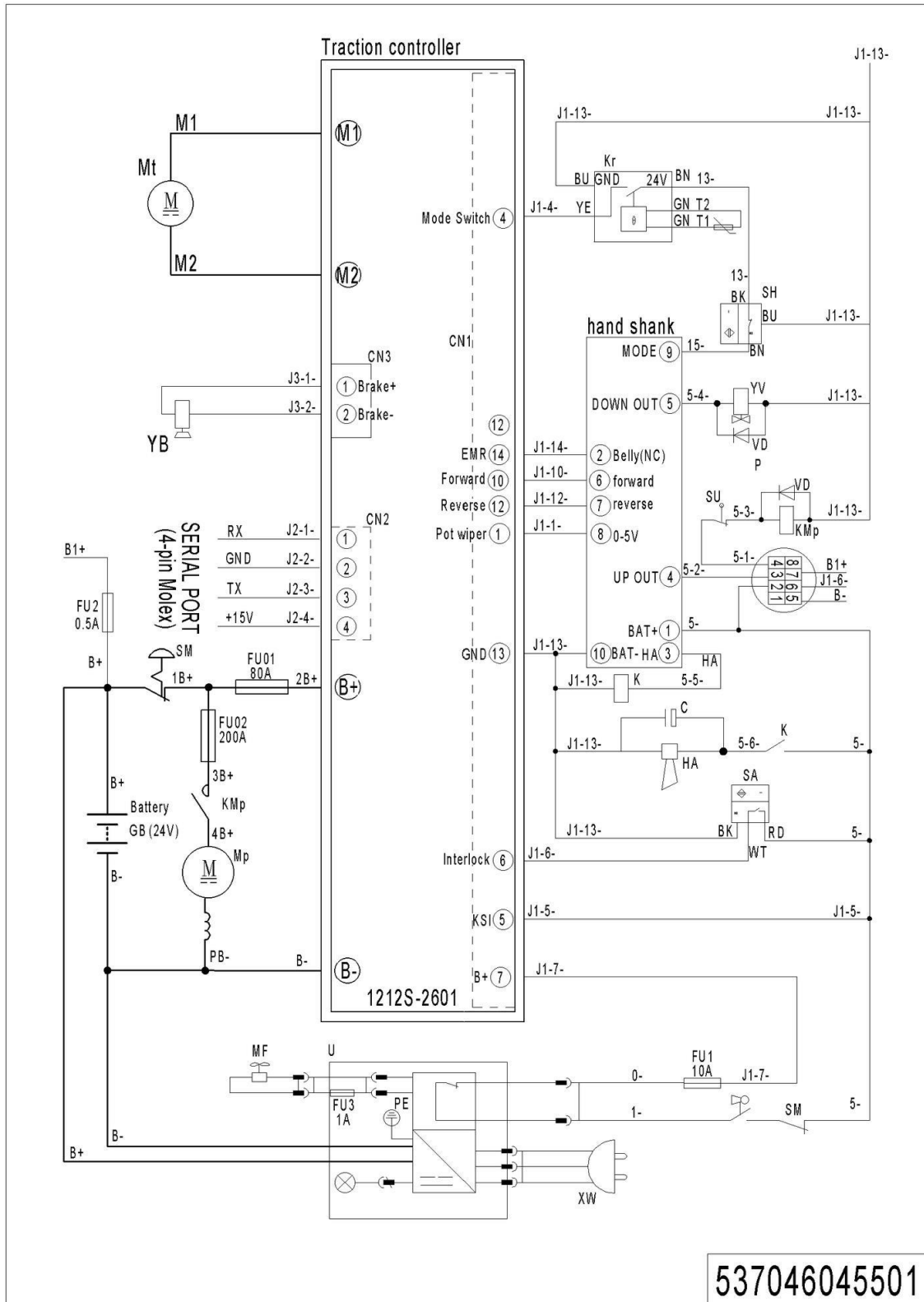
1= Supply as package. 2= Supply with constraints. 3= Phasing-out supply. 4= Supply as assembly. 5= Check other tables.

02 Label and Decal(USA) (537046047002)

No.	Item Code	Mark	Item Description	Qty.	Substitute	Note
1	941200100016		Label	1		
2	536847020001		Label	1		
3	941200300002		Label	1		
4	941200100003		Label	1		
5	941200500002		Label	1		Depends On Customer
6	941200100009		Label	1		
7	941200100010		Label	1		
8	941200100013		Label	1		
9	537047502001		Truck data plate	1		
10	941200300019		Label	1		
11	536847020000		Label	1		
12	537047502002		Load Capacity Diagram	1		
13	941200300001		Label	2		

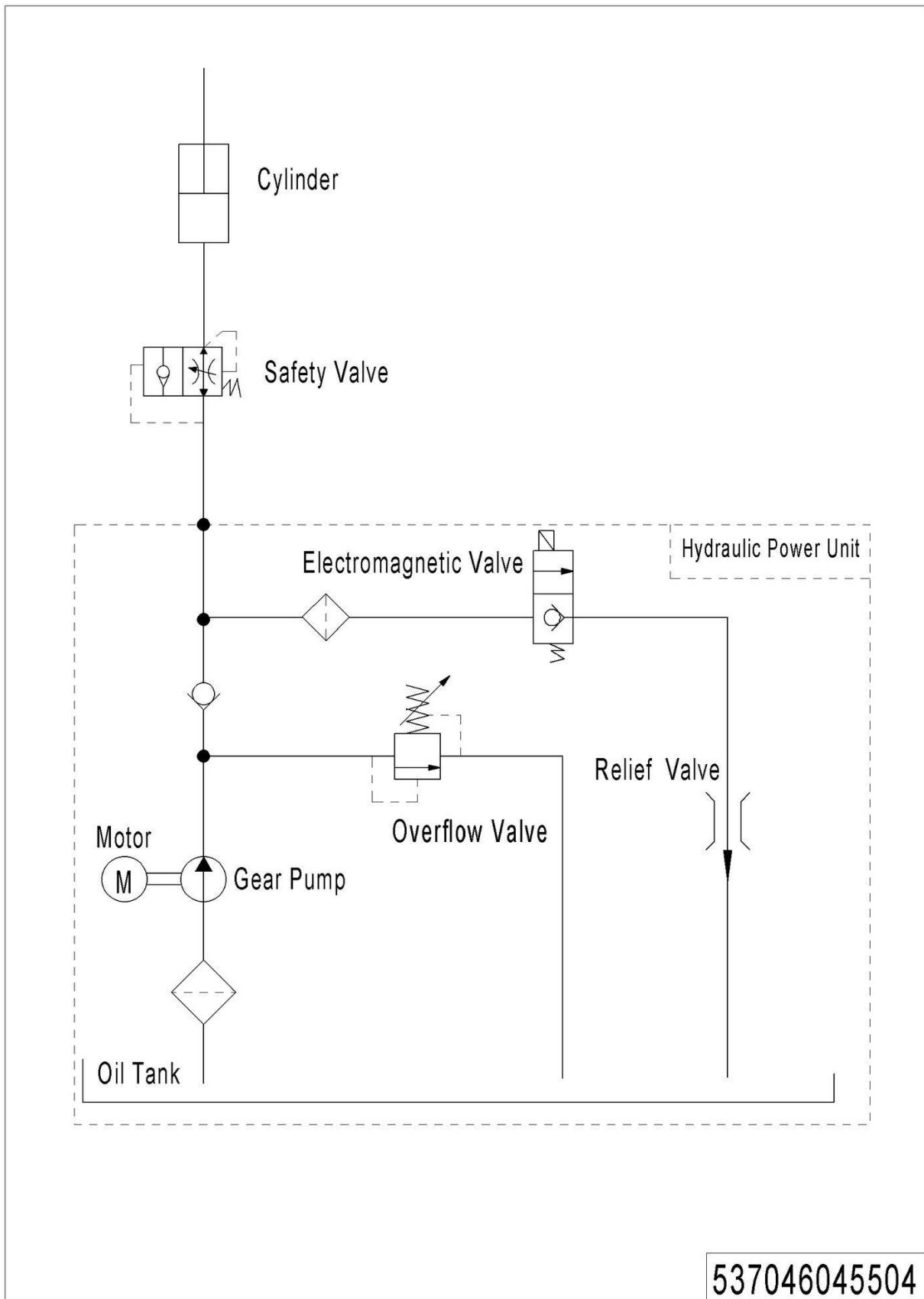
Appendix

01 Electrical Circuit Diagram (537046045501)



1= Supply as package. 2= Supply with constraints. 3= Phasing-out supply. 4= Supply as assembly. 5= Check other tables.

03 Hydraulic Circuit Diagram (537046045504)



04 Consumable Parts List

No.	Item Code	Item Description	Qty.	Chapter/ Section/ Number
1	5370985100	Carbon Brush	1	Chapter 1/02/1.01
2	9107002000	Bearing	1	Chapter 1/02/3
3	9610007000	Tyre	1	Chapter 1/02/4
4	5322985100	Carbon Brush	1	Chapter 2/02/1.01
5	5326985100	Seal Kit	2	Chapter 3/02/27.01 Chapter 3/03/24.01
6	9107002000	Bearing	2	Chapter 3/04/2
7	5322110200	Gas Spring	1	Chapter 4/01/9.03
8	9107002000	Bearing	14	Chapter 4/03/5.01 Chapter 4/05/10.02
8	9107002000	Bearing		Chapter 4/04/2.01
9	9403003000	WheelΦ80x70	4	Chapter 4/03/5.02
10	9403003000	WheelΦ80x93	2	Chapter 4/04/2.02
11	9107007000	Bearing	1	Chapter 4/05/8
12	9403003000	WheelΦ100x50	1	Chapter 4/05/10.01
13	9107006000	Bearing	1	Chapter 4/05/15
14	9201001000	Fuse	1	Chapter 5/03/16.02
15	9201001000	Fuse	1	Chapter 5/03/16.03
16	9201002000	Fuse	1	Chapter 5/03/16.04