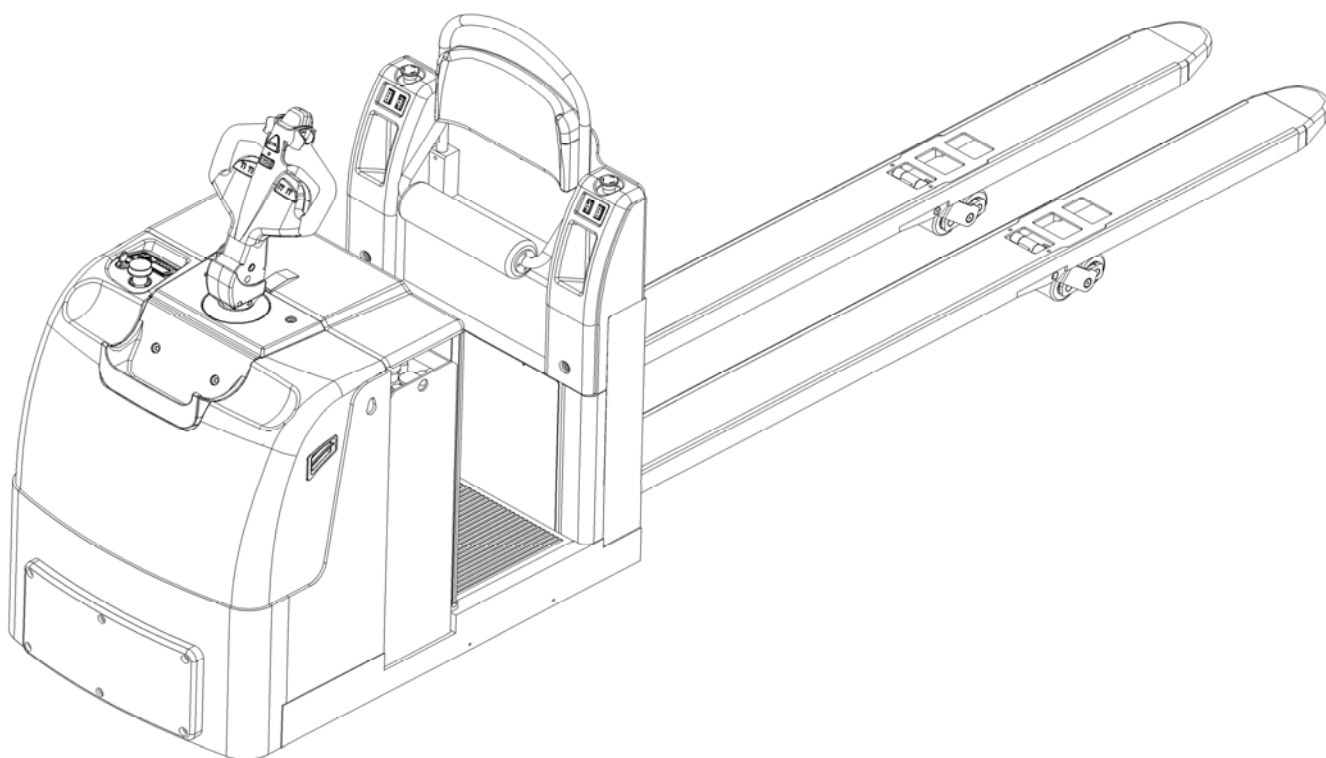


SPAREPARTS LIST

Horizontal Order Picker OPL25E



Version 11/2014

From truck identification number:

40140600001

OPL 25-BPT-001-EN

Catalogue

Fig. 1	Appearance	2
Fig. 2	Pallet frame.....	3
Fig. 3	Load roller.....	5
Fig. 4	Roller components	6
Fig. 5	Chairback	7
Fig. 6	Drive system	9
Fig. 7	Drive wheel	11
Fig. 8	Steering system	12
Fig. 9	Hydraulic system.....	13
Fig. 10	Cylinder	14
Fig. 11	Pump station system.....	15
Fig. 12	Tiller arm.....	16
Fig. 13	Tiller	18
Fig. 14	Instrument Components	20
Fig. 15	Electrical box	21
Fig. 16	Controller.....	23
Fig. 17	Cables	26
Fig. 18	Sticker for US	27
Fig. 19	Sticker for EU	28
	Easy worn parts list	29

Fig. 1 Appearance

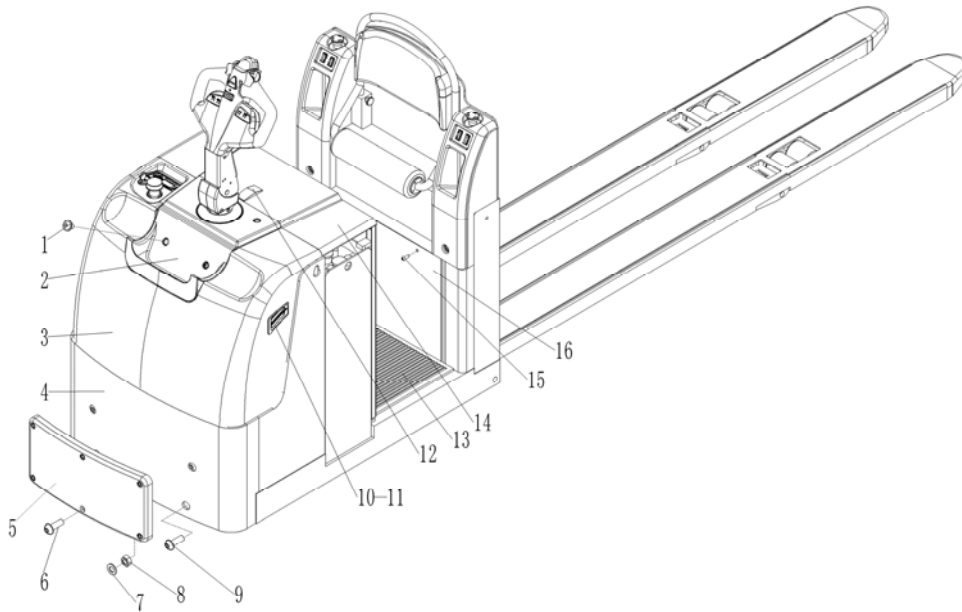


Fig. 1 Appearance

No.	Art No	Description	Qty.	note	Standard
1	2000423001	Screw	4	M10X15	
2	9000008467	Plastic wrap cover	1		
3	9000008466	Outer cover	1		
4	9000008475	Welded front damper	1		
5	9000010252	Damping pad	1		
6	9000007792	Screw	6	M10X45	
7	0000025002	Washer	6	10	GB/T95=ISO7091
8	0000023005	Nut	6	M10	GB/T889.1=ISO7040
9	1000423003	Screw	4	M10X30	
10	9000007920	Left vent hole	1		
11	9000007923	Right vent hole	1		
12	9000008521	Rapid buckle	1		
13	9000008470	Rubber pad	1		
14	9000008476	Welded battery damper	1		
15	0000023610	Screw	4	M4X8	GB/T70.2=ISO7380
16	9000008468	Seal plate	1		

Fig. 2 Pallet frame

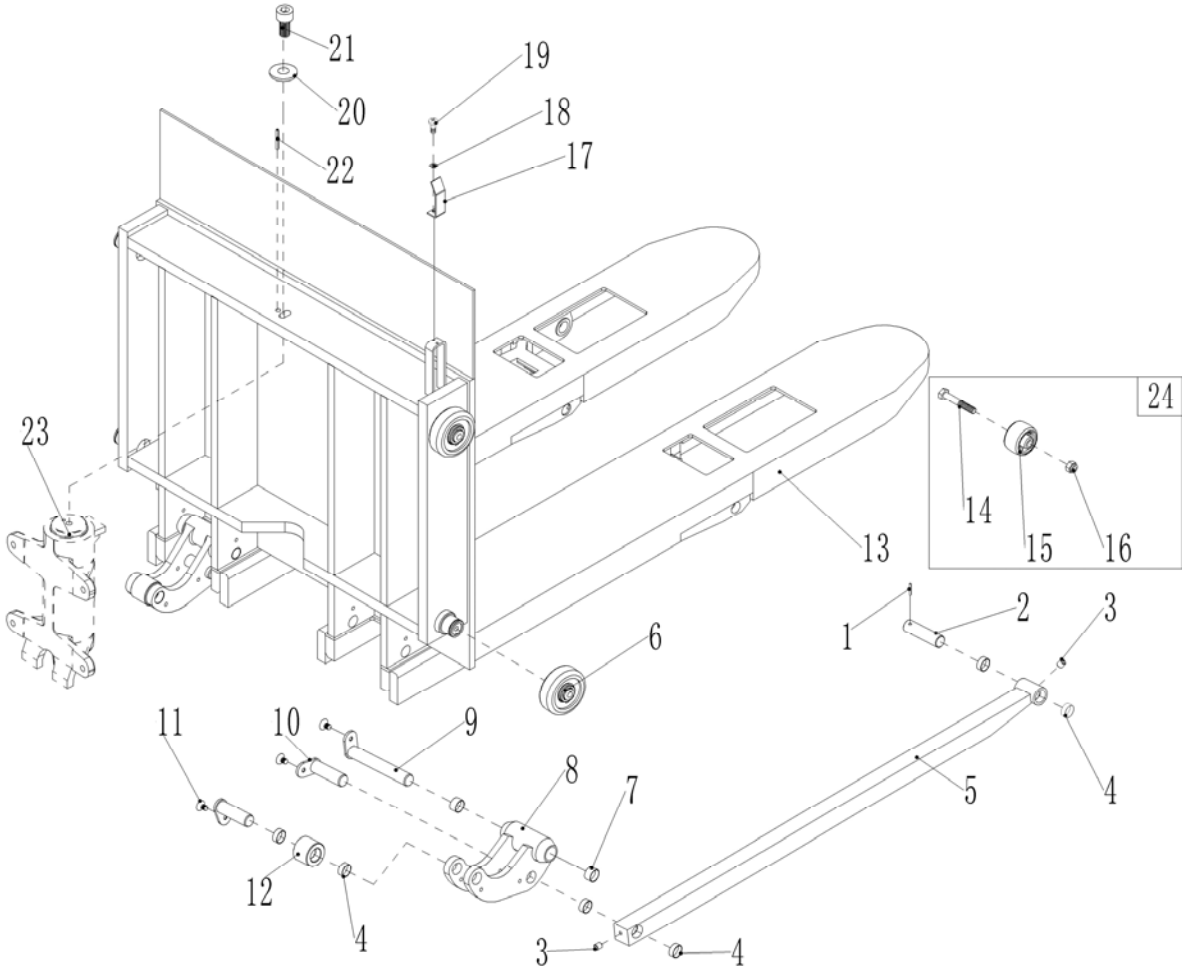


Fig. 2 Pallet frame

No.	Art No..	Description	Qty.	note	Standard
1	0000028009	Dowel pin	4	5X35	GB879=ISO8752
2	9000008629	Push rod shaft	2		
3	0000030001	Grease nipple	4	6	JB/T7940.4-1995
4	0000027005	Bushing	16	20X22X12	
5	9000008463	Welded push rod	2		
6	9000007759	Roller	4		
7	1000413001	Bushing	4	20X23X15	
8	9000008630	Large steel board	2		
9	9000008464	Welded fixing shaft	2		
10	9000008465	Welded fixing shaft	4		
11	0000023053	Screw	6	M6x12	GB/T70.1=ISO4762
12	9000008631	Roller	2		
13	9000008462	Welded frame	1		
14	0000023856	Bolt	2	M10X65	GB/T5782= ISO4014
15	1000516001	Entry roller	2		
16	0000023005	Lock nut	2	M10	GB/T889.1=ISO7040
17	9000008632	Limit block	1		
18	0000025019	Flat washer	1	4	GB/T95=ISO7091
19	0000023727	Screw	1	M4X6	GB/T818=ISO7045
20	0000025002	Flat washer			
21	0000023025	Screw	1	M10X40	GB/T70.1=ISO4762
22	0000028147	Dowel pin 6x28	1	White zink	
23	9000008493	Cylinder complete	1		
24	9000010563	Entry roller accessories	2		

Fig. 3 Load roller

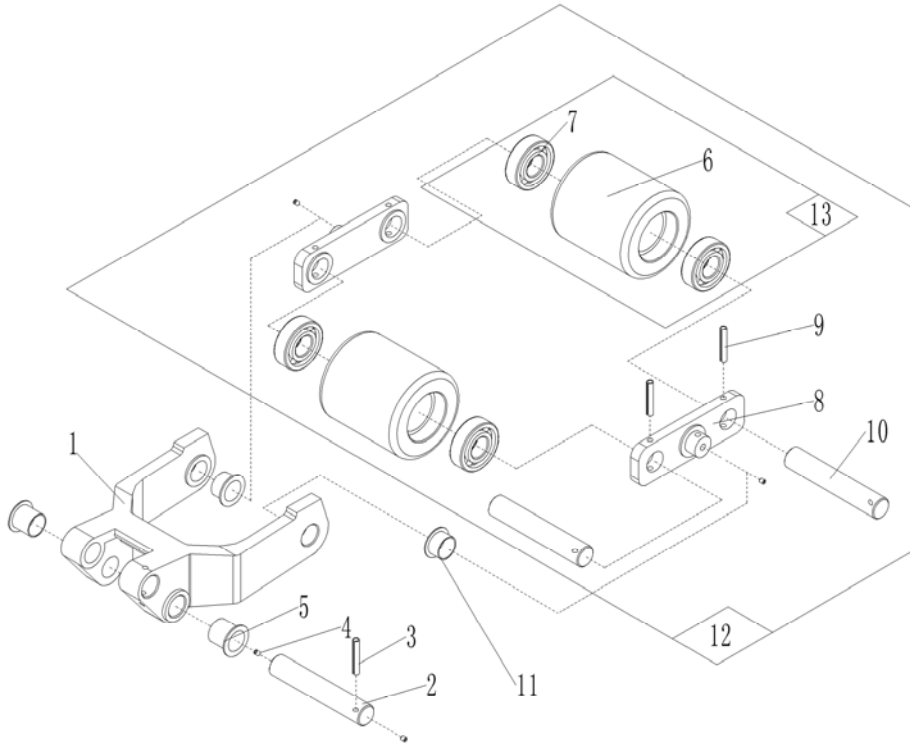


Fig. 3 Load roller

No.	Art No.	Description	Qty.	note	Standard
1	9000008627	Frame for load roller	2		
2	9000008628	Shaft for lever	2		
3	0000028009	Dowel pin	2	5X35	GB879=ISO8752
4	0000030001	Grease nipple	8	6	JB/T7940.4-1995
5	9000008800	Shoulder harness	4	20x23x21.5	
6	1000516002	Load roller	4	84X93	
7	0000027001	Bearing	8	6204	GB/T276
8	9000008513	Linking board	4		
9	0000028055	Dowel pin	4	5X40	GB879=ISO8752
10	9000010001	Rotating shaft	4		
11	0000013013	Shoulder harness	4		
12	9000010032	Load roller	2		
13	9000010564	Wheel accessories	2	Tandem	

Fig. 4 Roller components

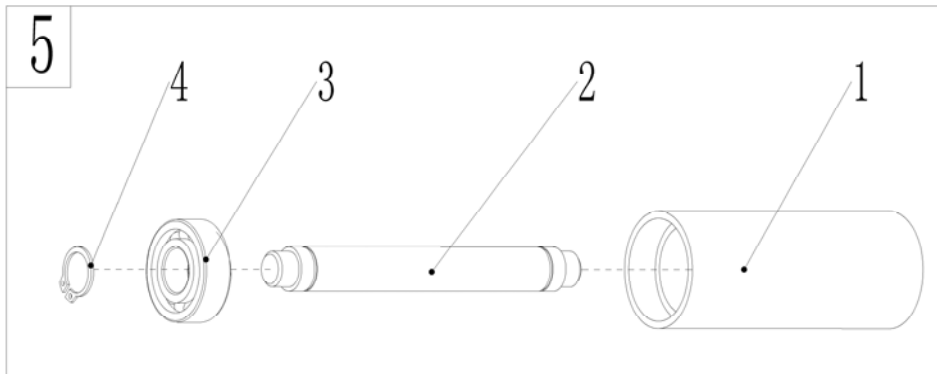


Fig. 4 Roller components

No.	Art No.	Description	Qty	note	Standard
1	9000008481	Drum	8		
2	9000008480	Axle	8		
3	0000027060	Bearing	16	6202	GB/T276
4	0000026004	Circlip	16	15	GB/T894.1=DIN471
5	9000008477	Load roller	8		

Fig. 5 Chairback

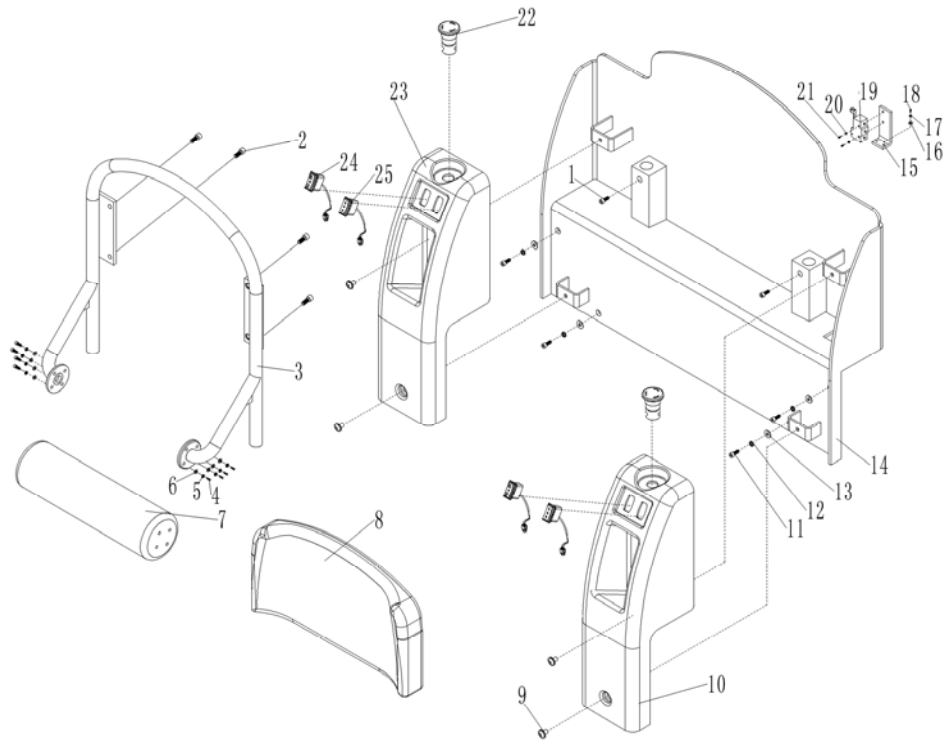


Fig. 5 Chairback

No.	Art No.	Description	Qty.	note	Standard
1	0000023632	Bolt	2	M8x16	GB/T5781=ISO4018
2	0000023044	Screw	4	M8X20	GB/T70.1=ISO4762
3	9000008483	Welded chairback	1		
4	0000023020	Screw	8	M6X20	GB/T70.1=ISO4762
5	0000025010	Washer	8	6	GB/T93=DIN127
6	0000023055	Washer	8	6	GB/T95=ISO7091
7	9000008486	Seat cushion	1		
8	9000008485	Seat back	1		
9	3066402001	Screw	4	M8X12	
10	9000008488	Right fence	1		
11	0000023875	Screw	4	M12x20	GB/T70.1=ISO4762
12	0000025024	Washer	4	12	GB/T93=DIN127
13	0000025032	Washer	4	12	GB/T95=ISO7091
14	9000008482	Welded seat back	1		
15	9000008484	Switch fixing plate	1		
16	0000025019	Washer	2	4	GB/T95=ISO7091
17	0000025018	Washer	2	4	GB/T93=DIN127
18	0000023056	Screw	2	M4X12 black	
19	9000000794	Micro switch	1	RZ-15GW2S-B3	
20	0000025019	Washer	2	4	GB/T95=ISO7091
21	0000023043	Screw	2	M4x25	GB/T818=ISO7045
22	1010434024	Emergency button	2	CE4T-10R-01	
23	9000008487	Left fence	1		
24	9000002376	Switch	2	3203-00092-OV	
25	9000002377	Switch	2	3203-00092-OAJ	

Fig. 6 Drive system

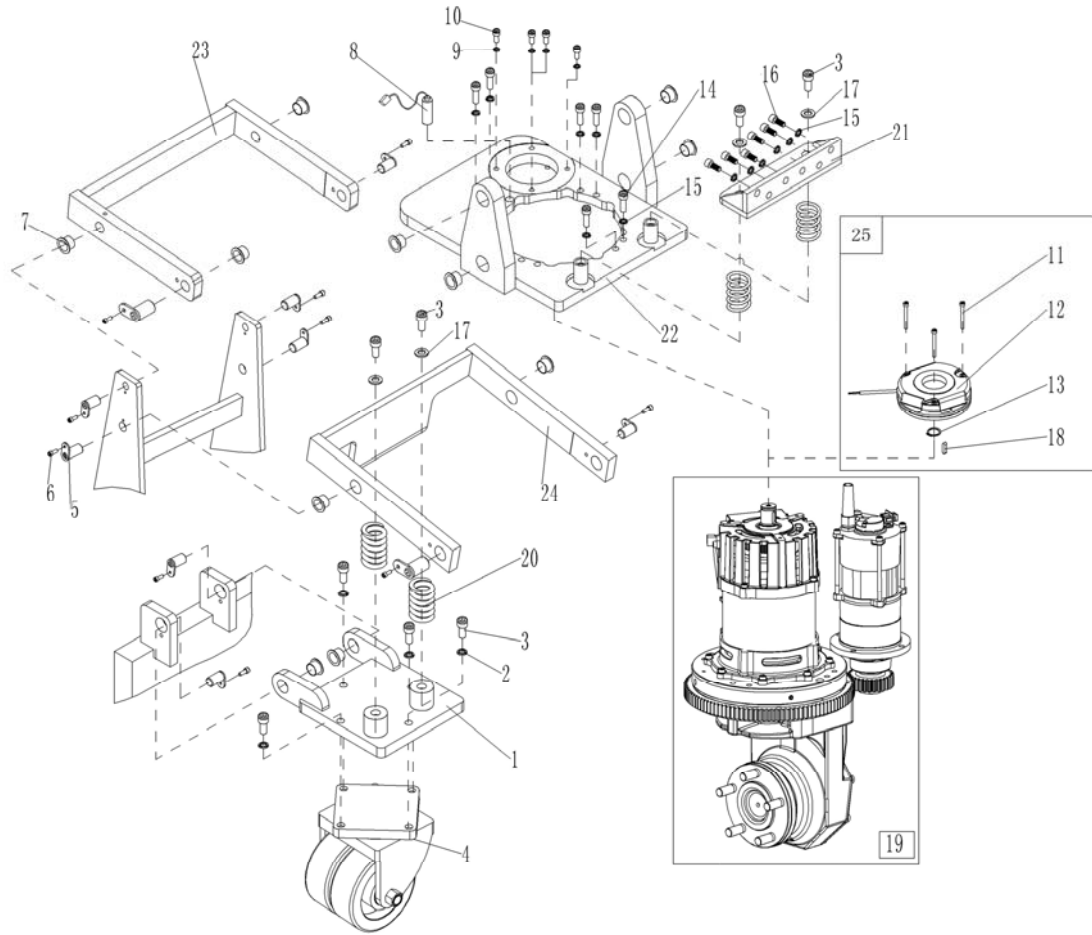


Fig. 6 Drive system

No.	Art No.	Description	Qty.	Note	Standard
1	9000008498	Welded steering wheel frame	1		
2	0000025024	Washer	4	12	GB/T93=DIN127
3	0000023509	Screw	8	M12x40	GB/T70.1=ISO4762
4	2090400003	Castor	1		
5	9000008499	Welded pin roll 一	10		
6	0000023053	Screw	14	M6x12	GB/T70.1=ISO4762
7	9000007798	Shoulder harness	10	25X28X25.5	
8	9000010298	Proximity switch	2	Fi4-M12-ON6L/L70	
9	0000025001	Washer	4	8	GB/T93=DIN127
10	0000023172	Screw	4	M8x30	GB/T70.1=ISO4762
11	3070606041	Screw	3	M6X60	
12	9000010172	Magnet break	1		
13	0000026013	Circlip	1	25	GB/T894.1=DIN471
14	0000023029	Screw	6	M10x35	GB/T70.1=ISO4762
15	0000023006	Washer	12	10	GB/T93=DIN127
16	0000023088	Screw	6	M10x25	GB/T70.1=ISO4762
17	0000025032	Washer	4	12	GB/T95=ISO7091
18	0090000591	Flat key	1	8x20	GB/T1096
19	9000010171	AC drive AC steering	1		
20	9000009951	Spring	4	φ10 length 59	
21	9000008502	Limit frame	1		
22	9000008500	Driving wheel welded pieces	1		
23	9000010031	Welded roll over frame 二	1		
24	9000008501	Welded roll over frame 一	1		
25	9000010565	Electromagnetic brake parts	1		

Fig. 7 Drive wheel

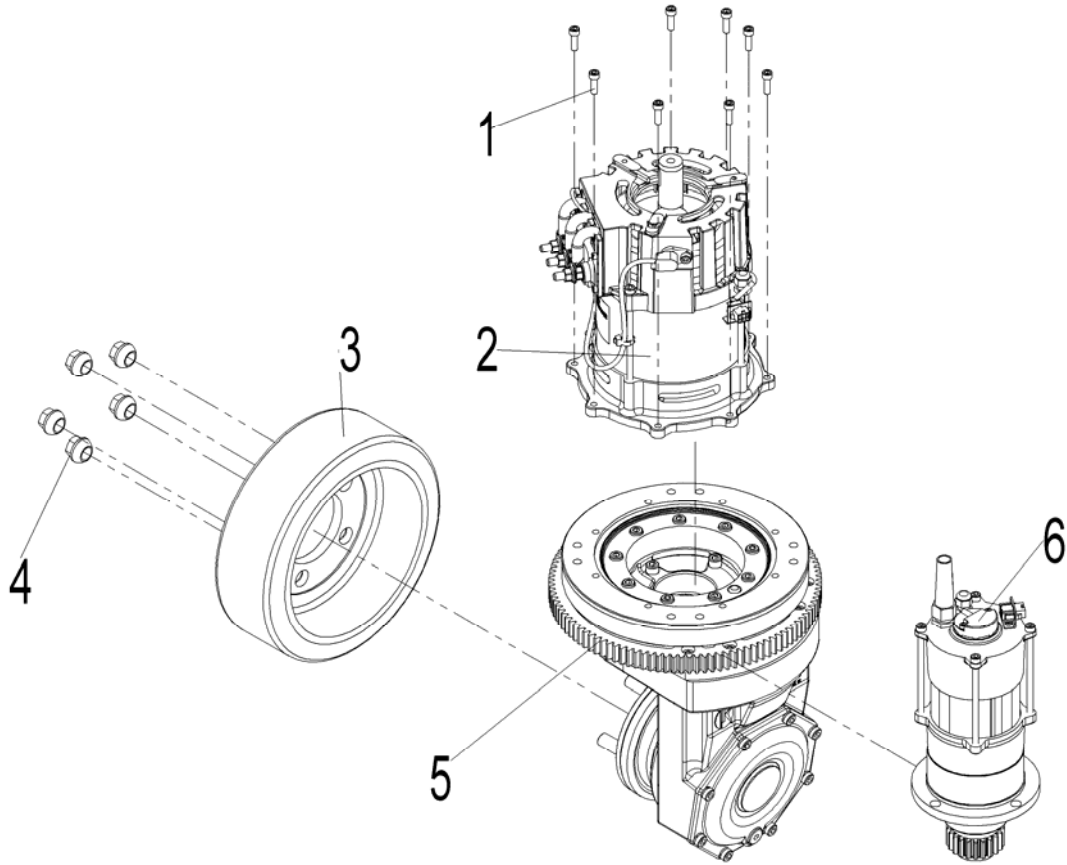


Fig. 7 Drive wheel

No.	Art No	Description	Qty.	Note	Standard
1	9000010309	Screw	8	M6×20	
2	9000010310	Motor	1		
3	9000007767	Drive wheel	1	250×82	
4	3014702006	Nut	5		
5	9000010308	Gear box	1		
6	9000010311	Steering equipment	1		

Fig. 8 Steering system

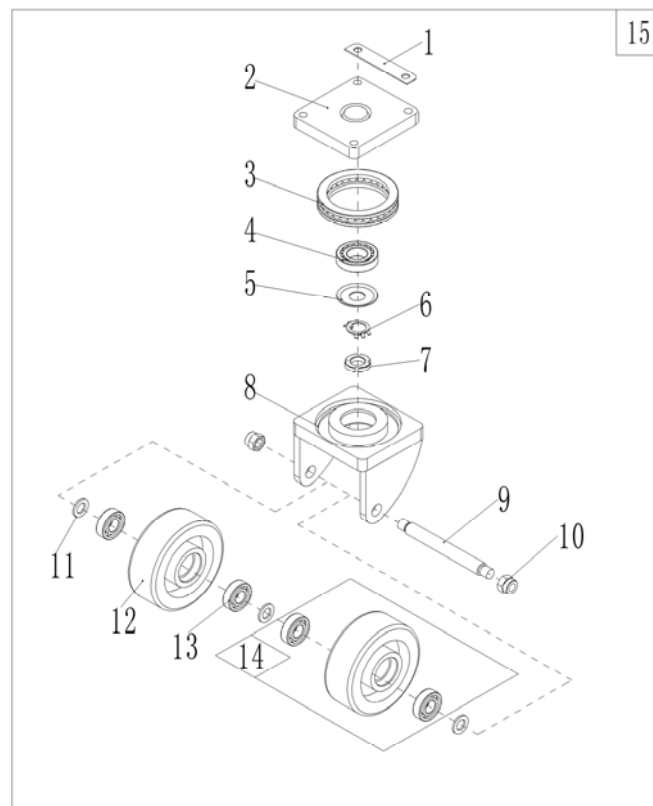


Fig. 8 Steering system

No	Art No	Description	Qty	Note	Standard
1	2090402011	Adjusting pad	2		
2	2090401006	Welded spindle	1		
3	0000027061	Bearing	1	51118	GB/T301
4	0000027066	Bearing	1	30206	GB/T297
5	2090402010	Dust cover	1		
6	0000025095	Washer	1	24	GB858=DIN 70952
7	0000024063	Nut	1	M24×1.5	GB810
8	2090401005	Welded wheel frame	1		
9	2090423001	Bolt	1		
10	0000024011	Nut	2	M16	GB/T889.1 =ISO7040
11	2000402001	Washer	3	φ20.5×φ28×2	
12	2090416002	Rear wheel fitting	2		
13	0000027001	Bearing	4	6204	GB/T276
14	9000010566	Castor accessories	2		
15	2090400003	Steering wheel	1		

Fig. 9 Hydraulic system

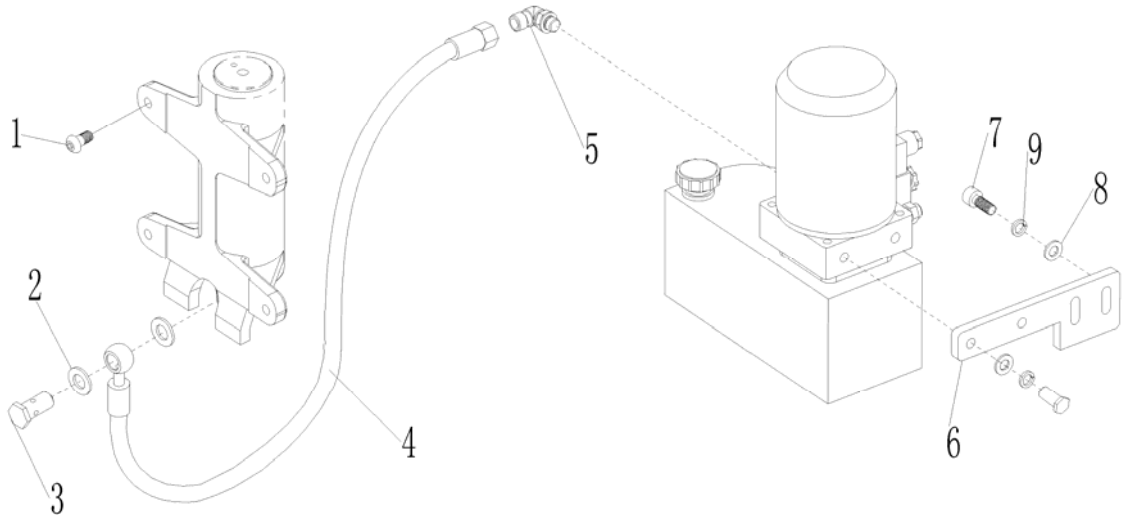


Fig. 9 Hydraulic system

No.	Art No.	Description	Qty.	Note	Standard
1	0000023537	Screw	4	M10X30	GB/T70.1=ISO476
2	0000022005	Washer	2	14	JB/T982-1977
3	0000023112	Bolt	1	M14x1.5x32	JB/T999-1977
4	9000007828	Tube assembly	1		
5	9000007836	G joint	1		
6	9000008491	Pump assembly plate	1		
7	0000023537	Bolt	4	M8x25	GB/T5781=ISO40
8	0000025011	Washer	4	8	GB/T95=ISO7091
9	0000025001	Washer	4	8	GB/T93=DIN127
10	2100300006	DC power unit (pump)	1	Le Shimen1.2KW	

Fig. 10 Cylinder

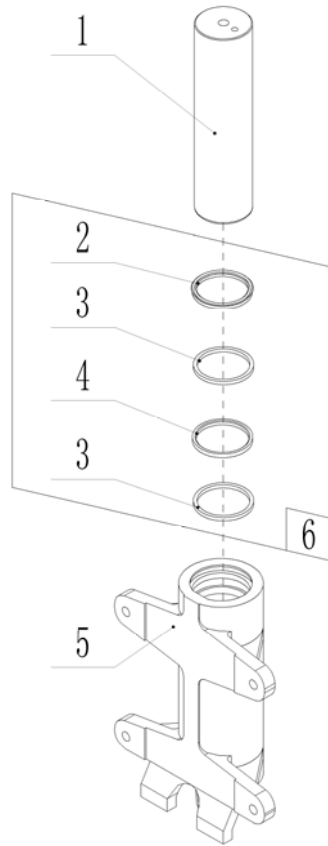


Fig. 10 Cylinder

No.	Art No.	Description	Qty.	Note	Standard
1	9000008495	Piston rod	1		
2	0000022269	Dust ring	1	55X63X5	
3	0000022271	Supporting ring for shaft	2	55X9.5X2.5	
4	0000022270	Y seal ring	1	55X65X8	
5	9000008494	Cylinder body	1		
6	9000010566	Seal kit	1		

Fig. 11 Pump station system

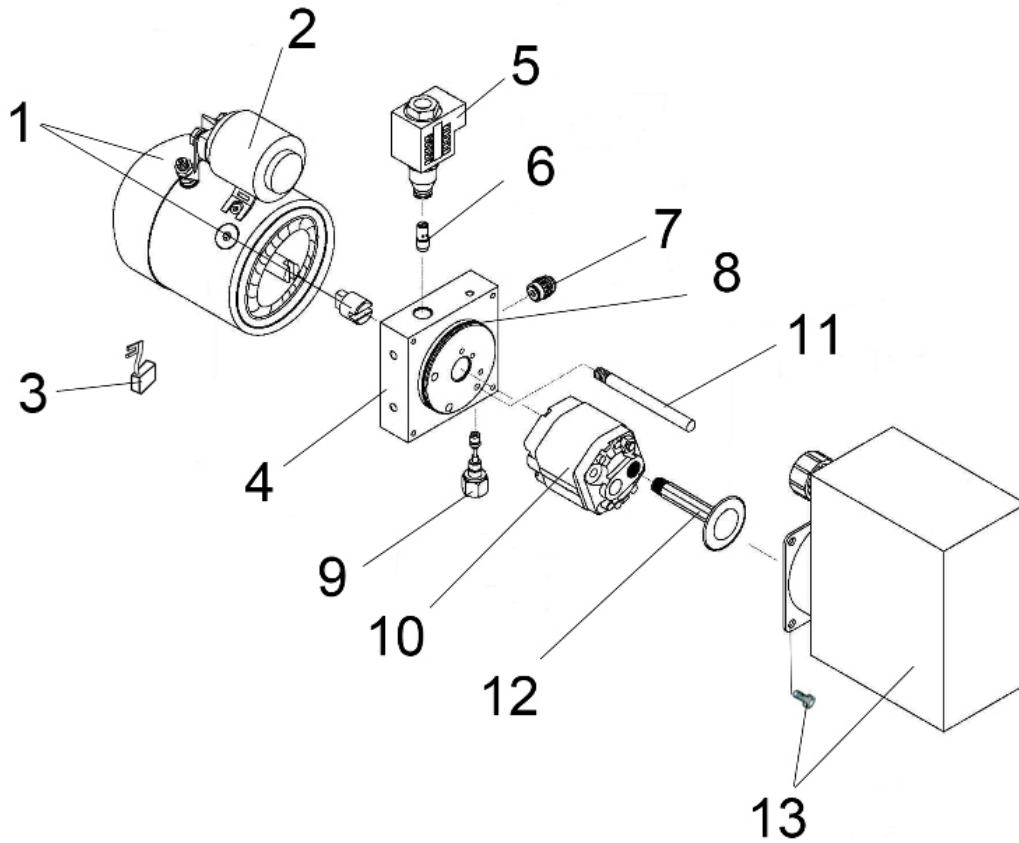


Fig. 11 Pump station system

No.	Art No.	Description	Qty.	Note	Standard
1	2100300007	Motor	1		
2	2100334001	Starter relay	1		
3	2100335001	Carbon brush(assembly)	1		
4	2100315001	Valve body	1		
5	2100337008	Electromagnetic valve	1		
6	2100337004	Throttle valve	1		
7	2100337005	Individual valve	1		
8	2100322004	O-ring	1		
9	2100337006	Safety valve	1		
10	2100300008	Gear pump	1		
11	2100317002	Oil returning pipe	1		
12	2100317003	Oil suction pipe	1		
13	2100337007	Cylinder	1		

Fig. 12 Tiller arm

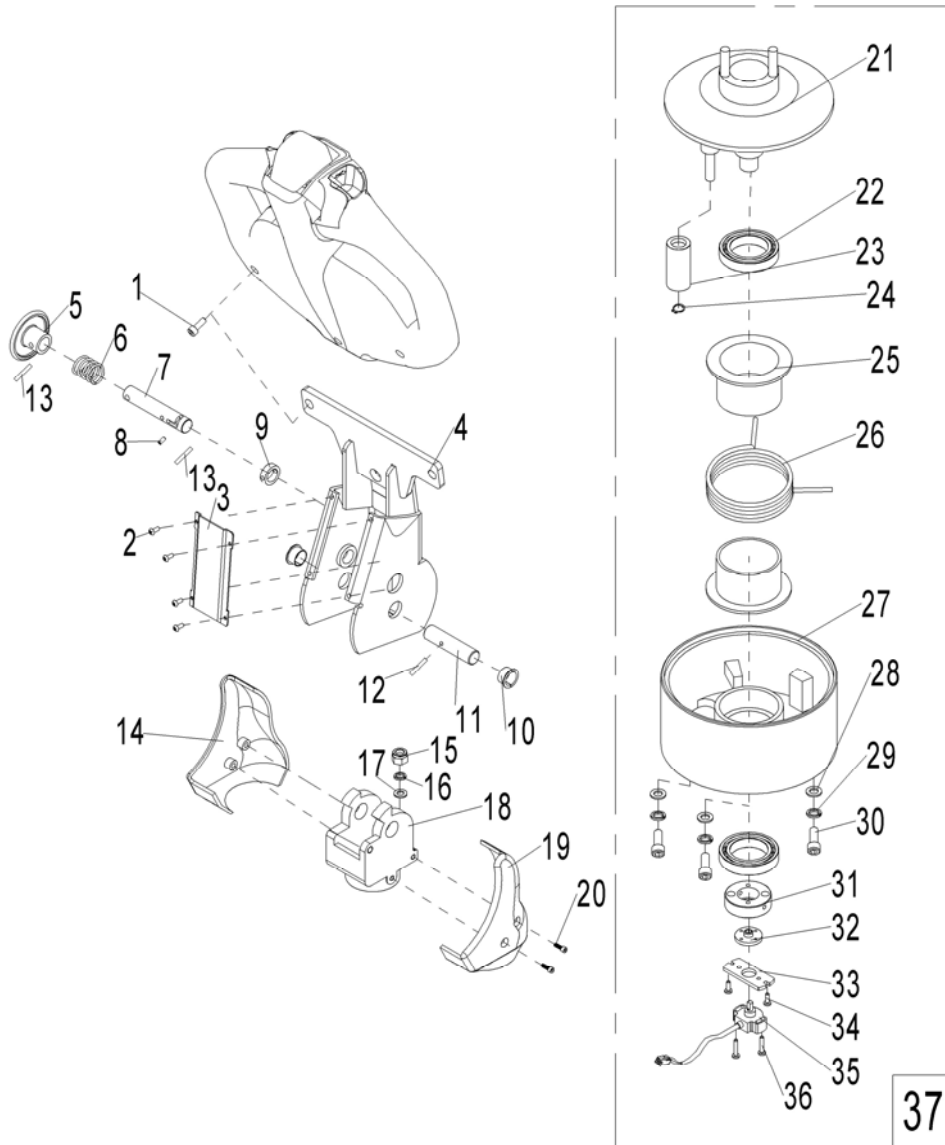


Fig. 12 Tiller arm

No.	Art No.	Description	Qty.	Note	Standard
1	0000023047	Bolt	2	M8x25	GB/T5783= ISO4017
2	1000123003	Screw	4	M4x8	GB/T70.2=ISO7380
3	9000008507	Cover	1		
4	9000008505	Welded tiller arm	1		
5	9000010029	Hand wheel	1		
6	9000009992	Spring	1	φ2 length 32.5	
7	9000008739	Shaft	1		

8	0000023803	Screw	1	M6x10	GB/T75=ISO 7435
9	9000008738	Bushing	1		
10	1000113001	Shoulder harness	2		
11	9000008740	Tiller shaft	1		
12	0000028071	Dowel pin	1	4x30	GB/T879.1=ISO 8752
13	0000028023	Dowel pin	2	5x20	GB/T879.1=ISO 8752
14	9000007930	Left tiller cover	1		
15	0000024065	Nut	2	M10	GB/T41=ISO 4034
16	0000023006	Washer	2	10	GB/T93=DIN127
17	0000025002	Washer	2	10	GB/T95=ISO7091
18	9000010030	Tiller seat	1		
19	9000007931	Right tiller cover	1		
20	0000023519	Screw	4	M6x10	GB/T70.2=ISO 7380
21	9000008506	Welded rotating shaft	1		
22	0000026002	Bearing	2	6204	GB/T276-1994
23	9000008511	Nylon cover	1		
24	0000026051	Circlip	1		GB/T894.1=DIN 471
25	9000008508	Cover	2		
26	9000007789	Spring	1		
27	9000008510	Tiller seat	1		
28	0000025011	Washer	3	8	GB/T95=ISO 7091
29	0000025001	Washer	3	8	GB/T93=DIN127
30	0000023044	Screw	3	M8x20	GB/T70.1=ISO 4762
31	9000010253	Nut	1		
32	9000010254	Linking block	1		
33	9000008509	Potentiometer assembly plate	1		
34	0000023056	Screw	2	M4x12	GB/T70.1=ISO 4762
35	9000010209	Double potentiometer	1	PSC360-F2AA	
36	0000023568	Screw	2	M4x20	GB/T70.1=ISO 4762
37	9000010568	Tiller seat accessories			

Fig. 13 Tiller

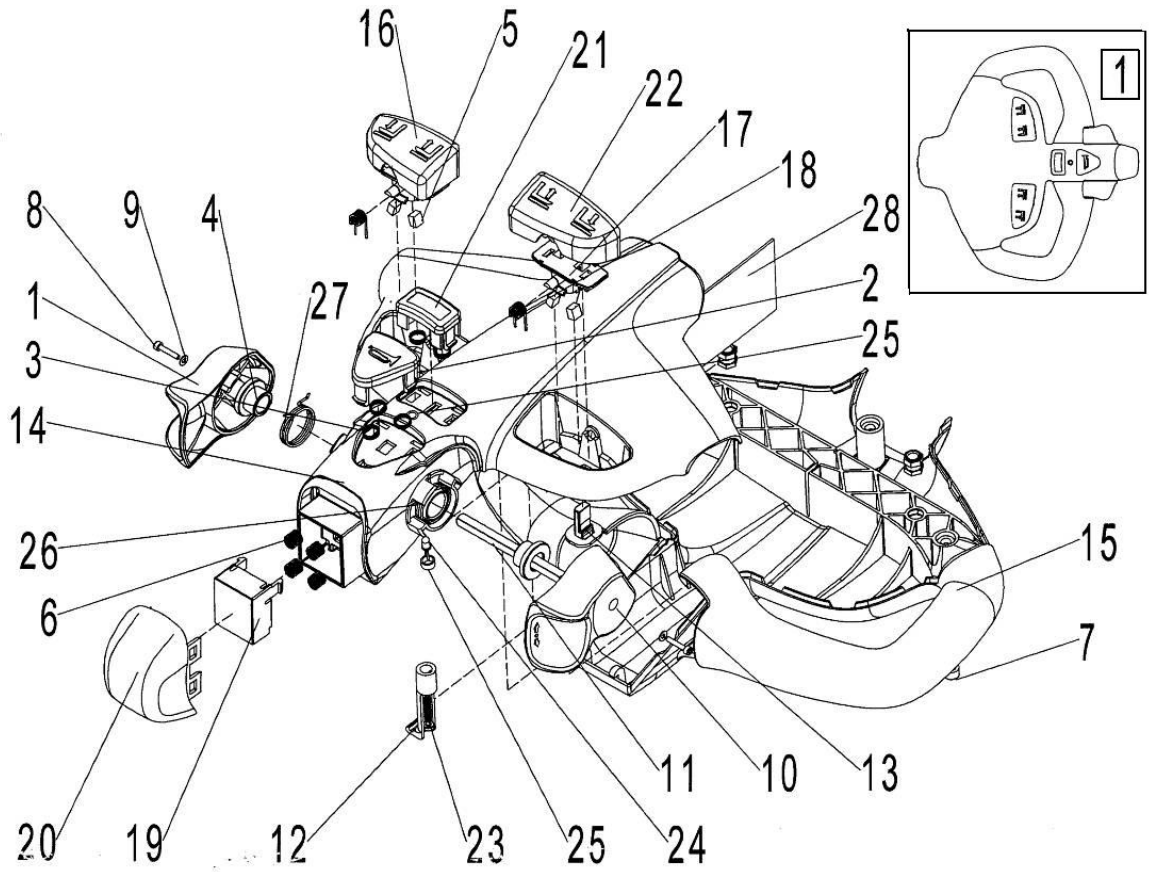


Fig. 13 Tiller

No.	Art No.	Description	Qty.	Note	Standard
1	1010114001	Left drive knob	1		
2	1000114015	Horn button	1		
3	1000131009	Horn button spring	5		
4	1000113004	Camshaft bush	2		
5	1000137001	Magnet body	4	▲	
6	1000131010	Emergency steering spring	4		
7	0000023058	Screw	3	M6×10	GB/T70.1=ISO 4762
8	0000023057	Screw	2	M3×16	GB/T70.1=ISO 4762
9	0000025026	Washer	2	3	GB/T95=ISO 7091
10	1010114003	Right drive knob	1		
11	1000107002	Shaft for drive knob	1		
12	1000137002	PCB clip	1		
13	1000134005	Sensor	2		
14	1000103012	Upper part of handle	1		
15	1000103013	Lower part of handle	1		
16	1000114017	Left button	1		
17	1000137003	Fixed seat for magnet body	2		
18	1000131011	Torsional spring	2		
19	1000114018	Seat for emergency steering switch	1		
20	1000114020	External cover for emergency steering switch	1		
21	1000114021	External cover for option switch	1		
22	1000114022	Right button	1		
23	0000023060	Screw	1	ST4.2X25	GB/T845=ISO 7049
24	1000134006	LED bi-colour light	1		
25	1000103014	LED bi-colour light socket	1		
26	1000131012	Right driving knob torsion	1		
27	1000131013	Left driving knob torsion	1		
28	1100135001	PCB	1		
①	1100100001	Canbus Handle C94300-90(REMA)	1		

Note: 1. The item with ▲ is not supplied separately.

Fig. 14 Instrument Components

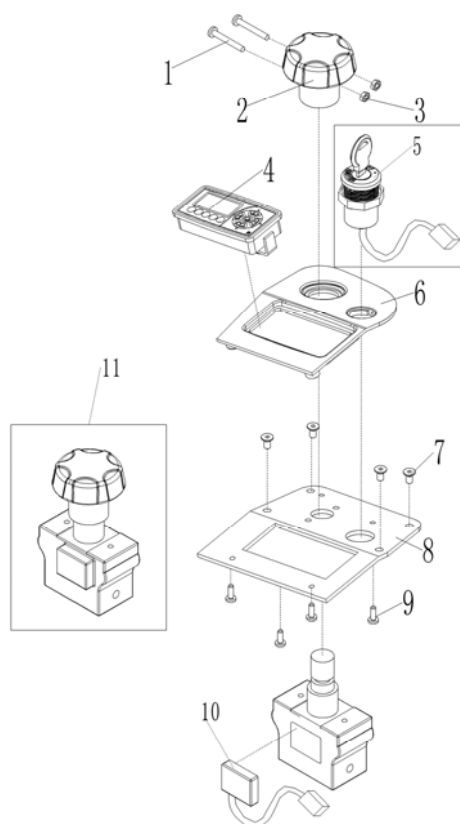


Fig. 14 Instrument Components

No	Art No.	Description	Qty.	Note	Standard
1	0000023685	Screw	2		GB/T818=ISO 7045
2	9000008516	DC power switch ZDK32-350	1		
3	0000024002	Nut	2		GB/T6170=DIN 7990
4	3022434018	Intelligent instrument ECO SMART DISPLAY	1		
5	9000010241	Key switch	1	LKS-101A	
6	9000008490	Integrated panel	1		
7	0000023053	Screw	4	M6X12	GB/T70.1=ISO 4762
8	9000008489	Instrument fixing plate	1		
9	0000023016	Screw	4	M4X12	GB/T818 =ISO 7045
10	9000008517	DC power switch ZDK32-350 Micro switch	1		
11	9000008515	DC power switch	1		

Fig. 15 Electrical box

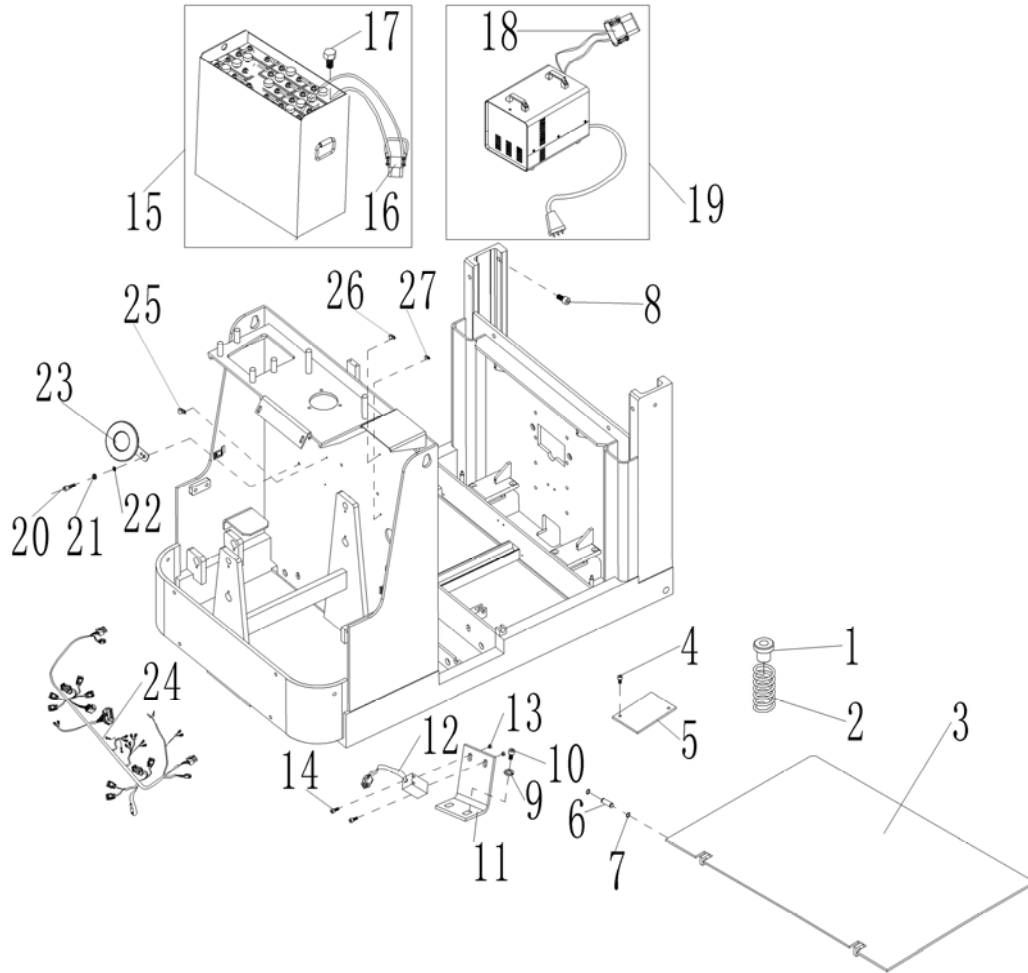


Fig. 15 Electrical box

No.	Art No.	Description	Qty.	Note	Standard
1	9000008469	Damping pad	2		
2	1100431001	Spring	2		
3	9000008474	Welded pedal	1		
4	0000023053	Screw	4	M6X12	GB/T70.1=ISO
5	9000008471	Adjustment plate	2		
6	9000008472	Shaft	2		
7	0000026041	Circlip	4	10	GB/T894.1=DIN
8	0000023875	Screw	2	M12X20	GB/T70.1=ISO
9	0000025018	Washer	2	4	GB/T93=DIN127
10	0000023073	Screw	2	M4X10	GB/T70.1=ISO
11	9000008640	Micro switch assembly	1		
12	9000010298	Proximity switch	1	Fi4-M12-ON6L/L70	
13	0000024156	Nut	1	M4	GB/T41=DIN 7990
14	0000023086	Screw	2	M4x25	GB/T70.2=ISO
15	9000008512	Power supply	1		
16	2390434009	DIN160connector 95012-01 (160Awith handle)	1		
17	9000001030	Bolt	1		
18	2390434008	Plug	1		
19	9000010291	Charger 24V/65A	1	for Asia in CHN	
	9000010292	Charger 24V/65A	1	for Asia in EN	
	9000010293	Charger 24V/65A	1	for EU	
	9000010294	Charger 24V/65A	1	for AUS	
	9000010295	Charger 24V/65A	1	for UK	
	9000010296	Charger 24V/65A	1	for US	
20	0000023089	Screw	1	M8X12	GB/T70.1=ISO
21	0000025001	Washer	1	8	GB/T93=DIN127
22	0000025011	Washer	1	8	GB/T95=ISO 7091
23	1000434015	Horn DC24V	1		
24	9000008603	Main control cable	1		
25	9000009790	Cable clamp UC-3	3		
26	9000008684	Cable clamp UC-5	5		
27	9000009789	Cable clamp UC-7	3		

Fig. 16 Controller

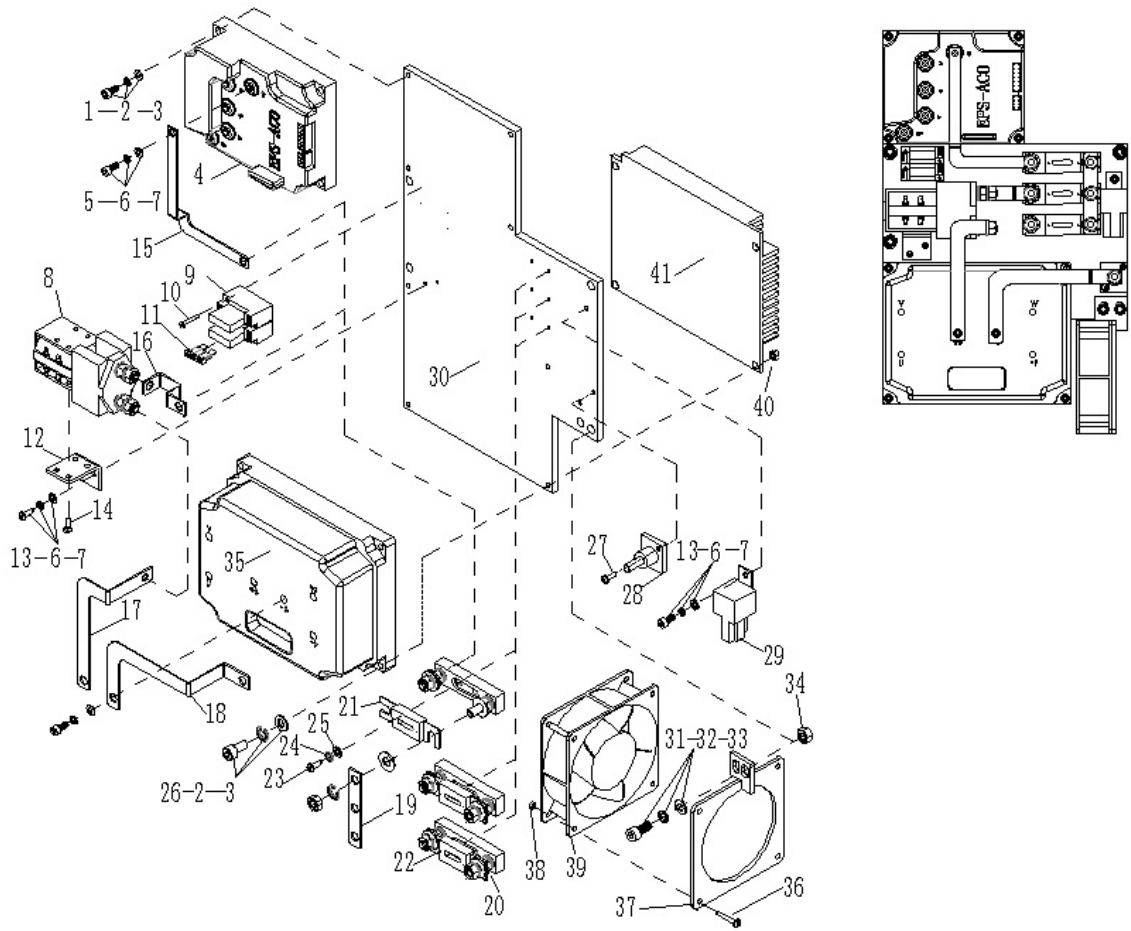


Fig. 16 Controller

No.	Art No.	Description	Qty.	Note	Standard
1	0000023141	Screw	4	M6x16	GB/T70.1=ISO 4762
2	0000025010	Washer	8	6	GB/T93=DIN127
3	0000023055	Washer	8	6	GB/T95=ISO 7091
4	1100434001	Steering controller EPS-AC0 24V/50A	1		
5	0000023076	Screw	5	M5x12	GB/T70.1=ISO 4762
6	0000025015	Washer	7	5	GB/T93=DIN127
7	0000025014	Washer	7	5	GB/T95=ISO 7091
8	2390434003	Contacto SW180B-4 DC24V	1		
9	1000434021	Fuse seat BD-1x10A	2		
10	0000023074	Screw	4	M3x30	GB/T818=ISO 7054
11	1000434040	Fuse 10A	2		
12	2400404007	Main contactor holder	1		
13	0000023039	Screw	2	M5x12	GB/T818=ISO 7054
14	0000023534	Screw	2	M5x8	GB/T818=ISO 7054
15	9000008613	Copper bar	1	Copper	
16	9000008611	Copper bar	1	Copper	
17	9000008612	Copper bar	1	Copper	
18	9000008614	Copper bar	1	Copper	
19	9000008615	Copper bar	1	Copper	
20	9000000747	Fuse seat	3	SY	
21	9000008642	Fuse	1	30A	
22	1020434001	Fuse	2	200A	
23	0000023130	Screw	6	M4x16	GB/T818=ISO 7054
24	0000025018	Washer	6	4	GB/T93=DIN127
25	0000025008	Washer	6	4	GB/T95=ISO 7091
26	0000023090	Screw	4	M6x35	GB/T70.1=ISO 4762
27	0000023307	Screw	2	M4x10	GB/T818=ISO 7054
28	1020434002	M8 terminal	1	BD-M8	
29	1000434041	Relay	1	ACR01F-F- 1C 24VDC	
30	9000008639	Aluminum plate	1	Aluminum	
31	0000023047	Screw	5	M8x25	GB/T70.1=ISO 4762

32	0000025001	Washer	5	8	GB/T93=DIN127
33	0000025011	Washer	5	8	GB/T95=ISO 7091
34	0000024086	Nut	5	M8	GB/T6170=ISO 4032
35	1100434002	Traction controller ACE0 PW 24V/320A	1		
36	0000023451	Screw	4	M4x45	GB/T818=ISO 7054
37	9000010199	Fan assembly plate	1	Welding parts	
38	0000023069	Nut	4	M4	GB/T6170=ISO 4032
39	1110434003	Fan	1		AD1224UB-F51 DC24V
40	0000024068	Nut	4	M6	GB/T6170=ISO 4032
41	9000010169	Heating penal	1	aluminum	

Fig. 17 Cables

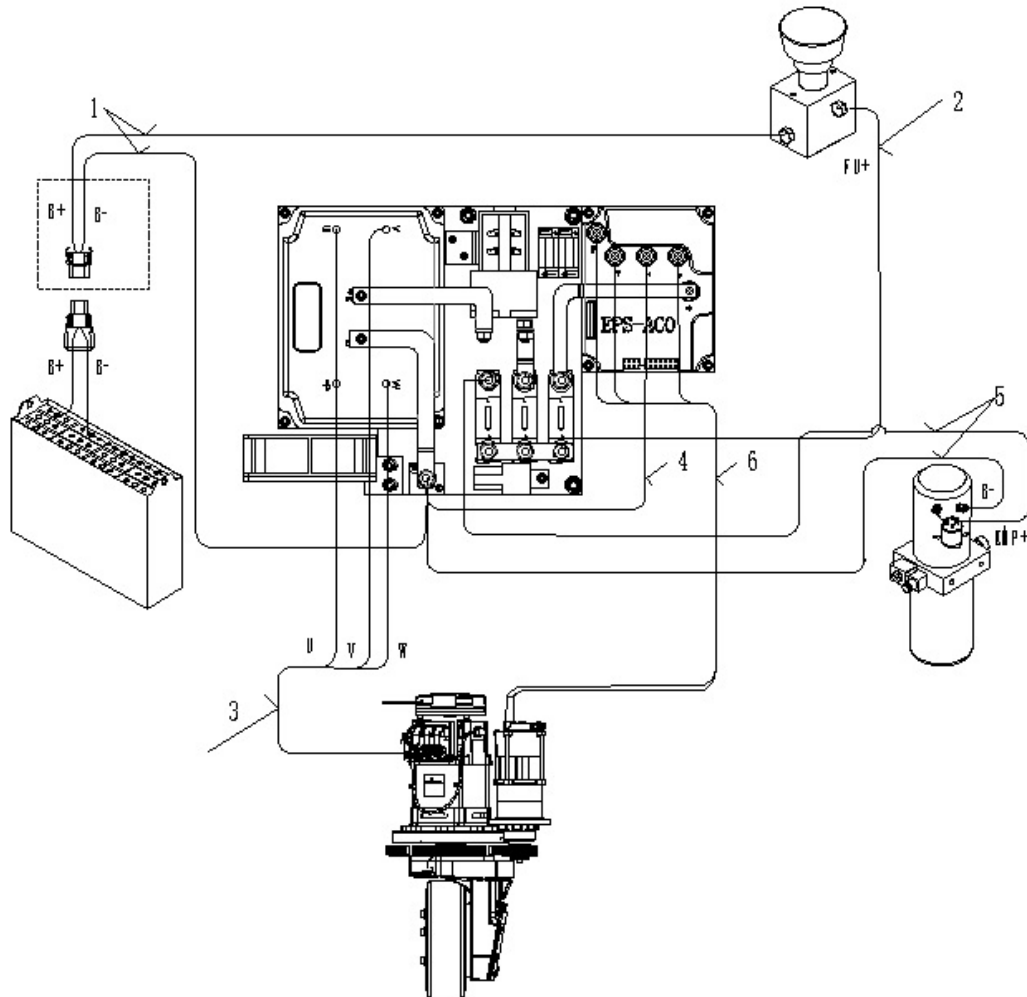


Fig. 17 Cables

No.	Art No.	Description	Qty.	Note	Standard
1	9000008606	Main power supply cable	1		
2	9000008607	FU+ cable	1		
3	9000008604	Drive motor cable	1		
4	9000008608	Steering controller B-cable	1		
5	9000008605	Pump motor cable	1		
6	9000008610	Steering controller cable	1		

Fig. 18 Sticker for US

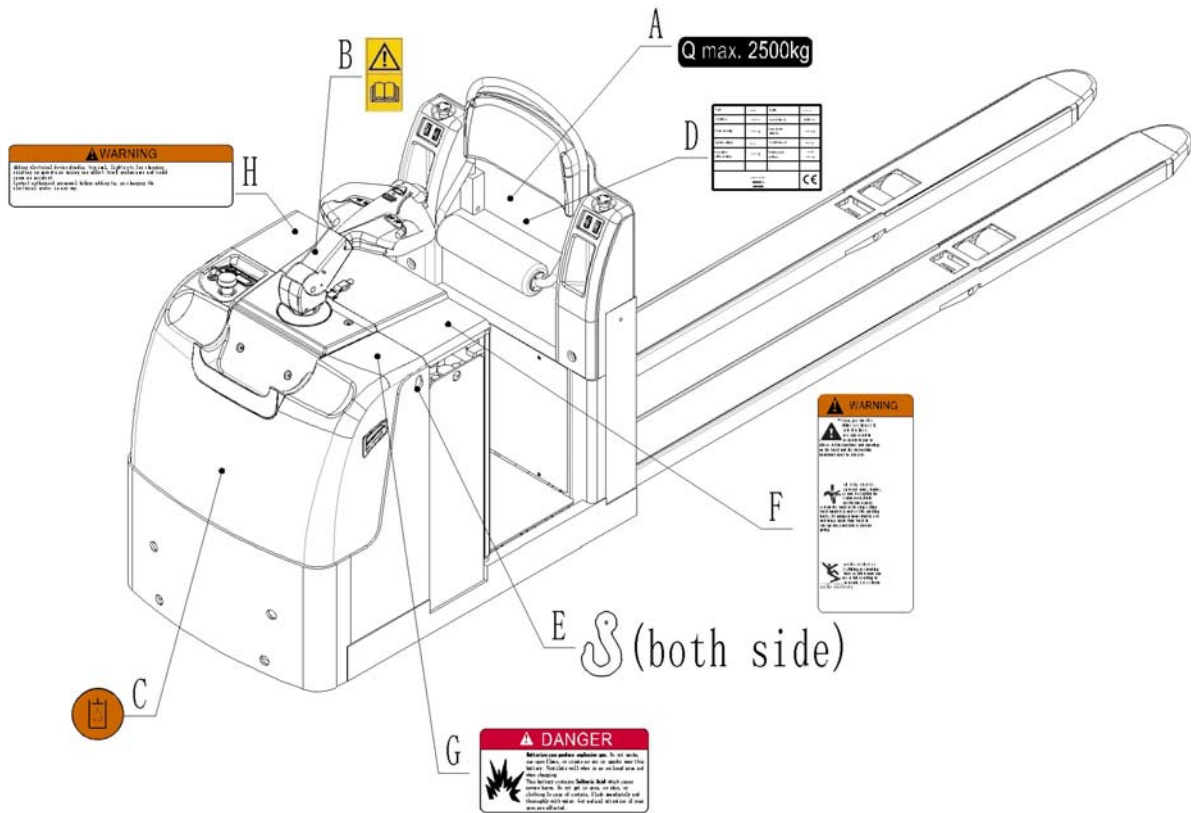


Fig. 18 Sticker for US

No.	Art No.	Description	Qty.	Note	Standard
A	9000008538	Capacity sticker (2500kg)	1		
B	9000003570	Sticker to read and follow these instructions	1		
C	9000008555	Filling sticker	1		
D	9000008655	CE sticker	1		
E	9000005967	Crane hook label	2		
F	9000003575	Warning sticker	1		
G	9000003577	Warning sticker	1		
H	9000003579	Warning sticker	1		

Fig. 19 Sticker for EU

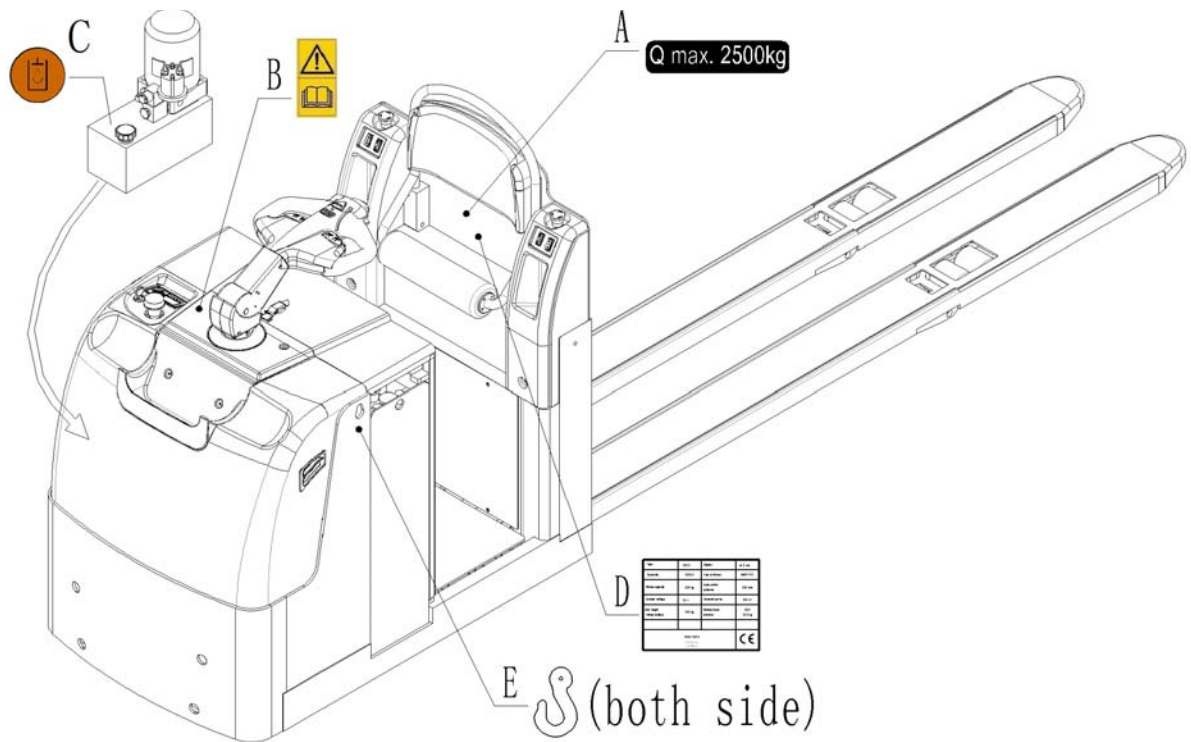


Fig. 19 Sticker for EU

No.	Art No.	Description	Qty.	Note	Standard
A	9000008538	Capacity sticker (2500kg)	1		
B	9000003570	Sticker to read and follow these instructions	1		
C	9000008555	Filling sticker	1		
D	9000008655	CE sticker	1		
E	9000005967	Crane hook label	2		

Easy worn parts list

No.	Part number	Name	Qty.	Fig./Position	Note
1	0000030001	Oil cup 6	4	Fig.2/3	Frame
2	0000027005	Bushing 20X22X12	16	Fig.2/4	
3	2330511001	Roller	4	Fig.2/6	
4	1000413001	Bushing 20X23X15	4	Fig.2/7	
5	9000008464	Welded fixing shaft	2	Fig.2/9	
6	9000008465	Welded fixing shaft	4	Fig.2/10	
7	0000030001	Oil cup 6	8	Fig.3/4	Load roller
8	9000008800	Shoulder harness 20x23x21.5	4	Fig.3/5	
9	1000516002	Load roller 84X93	4	Fig.3/6	
10	0000027001	Bearing 6204	8	Fig.3/7	
11	9000010001	Rotating shaft	4	Fig.3/10	
12	0000013013	Shoulder harness 20x22x15	4	Fig.3/11	
13	0000027060	Bearing 6202	16	Fig.4/3	Roller components
14	0000026004	Circlip 15	16	Fig.4/4	
15	9000000794	Switch RZ-15GW2S-B3	1	Fig.5/19	Seat back
16	9000002376	Switch 3203-00092-OV	2	Fig.5/24	
17	9000002377	Switch 3203-00092-OAJ	2	Fig.5/25	
18	2090400003	Castor	1	Fig.6/4	Drive wheel
19	9000008499	Welded pin roll —	10	Fig.6/5	
20	9000007798	Shoulder harness 25X28X25.5	10	Fig.6/7	
21	9000010298	Proximity switch	2	Fig.6/8	
22	9000009951	Spring (φ10 length 59)	4	Fig.6/20	
23	9000010566	Castor assemblies	2	Fig.8/14	Steering
24	9000010566	Seal kit	1	Fig.10/6	Cylinder
25	9000009992	Spring (φ2 length 32.5)	1	Fig.12/6	Tiller
26	1000113001	Shoulder harness 17X19X11)	2	Fig.12/10	
27	0000026002	Bearing 6204	2	Fig.12/22	
28	9000007789	Spring	1	Fig.12/26	
29	9000010253	Nut	1	Fig.12/31	
30	9000010254	Linking block	1	Fig.12/32	
31	9000010209	Double potentiometer	1	Fig.12/35	

32	9000008469	Damping pad	2	Fig.15/1	Electrical box
33	1100431001	Spring	2	Fig.15/2	
34	9000008472	Shaft	2	Fig.15/6	
35	9000010298	Proximity switch	1	Fig.15/12	
36	1000434040	Fuse 10A	2	Fig.16/11	Controller
37	9000008642	Fuse 30A	1	Fig.16/21	
38	1020434001	Fuse 200A	2	Fig.16/22	