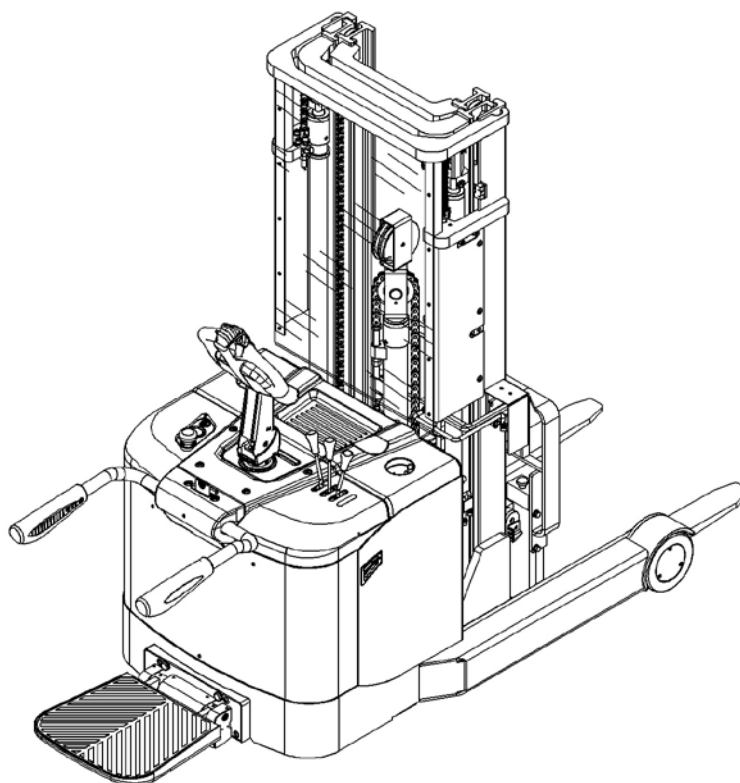


# SPAREPARTS LIST

## Electric Stacker PS 15RM



Version 08/2015

From truck identification number:

30150900182

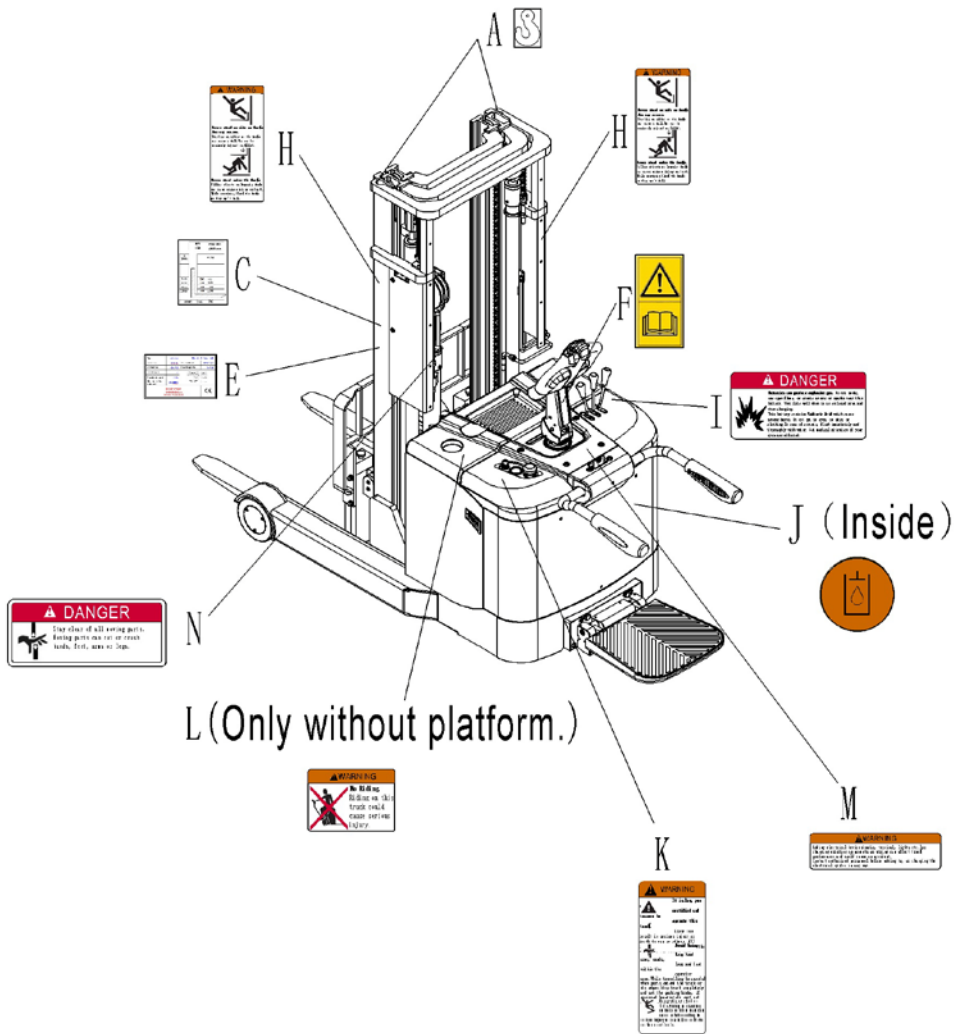
PS 15RM-BPT-001-EN

# Catalogue

FIG. 1 LABEL (FOR US) .....	3
FIG. 2 LABEL (FOR EU) .....	5
FIG. 3 APPEARANCE (THREE-STAGE-MAST) .....	7
FIG. 4 APPEARANCE (TWO-STAGE-MAST) .....	9
FIG. 5 APPEARANCE (ONE-STAGE-MAST) .....	11
FIG. 6 PALLET FRAME.....	13
FIG. 7 PALLET FRAME(SIDEWAYS).....	15
FIG. 8 LOAD ROLLER.....	17
FIG. 9 STEERING WHEEL ASSEMBLY.....	19
FIG. 10 MAST ASSEMBLY (THREE-STAGE-MAST) .....	21
FIG. 11 MAST ASSEMBLY (TWO-STAGE-MAST) .....	24
FIG. 12 MAST ASSEMBLY (ONE-STAGE-MAST) .....	27
FIG. 13 BATTERY COVER .....	29
FIG. 14 TRUCK BODY.....	31
FIG. 15 TRUCK BODY(SIDE PULLING BATTERY) .....	34
FIG. 16 DRIVE SYSTEM.....	36
FIG.17 DRIVE UNIT .....	38
FIG.18 STEERING UNIT (STDC 2032) .....	42
FIG. 19 CONTROLLER ASSEMBLY .....	44
FIG. 20 MAIN WIRE .....	46
FIG. 21 INDICATOR ASSEMBLY.....	48
FIG. 22 ELECTRICAL STEERING ASSEMBLY.....	50
FIG. 23 LIFTING CYLINDER ASSEMBLY (THREE-STAGE-MAST) .....	52
FIG. 24 LIFTING ASSEMBLY (TWO-STAGE-MAST) .....	54
FIG. 25 LIFTING ASSEMBLY (ONE-STAGE-MAST) .....	56
FIG. 26 LIFTING、REACH FORWARD HYDRAULIC SYSTEM	

(THREE-STAGE-MAST) .....	58
<b>FIG. 27 LIFTING、REACH FORWARD HYDRAULIC SYSTEM</b>	
(TWO-STAGE-MAST) .....	60
<b>FIG. 28 LIFTING、REACH FORWARD HYDRAULIC SYSTEM</b>	
(ONE-STAGE-MAST) .....	62
<b>FIG. 29 TILT HYDRAULIC SYSTEM (THREE-STAGE-MAST) .....</b>	<b>64</b>
<b>FIG. 30 TILT HYDRAULIC SYSTEM (TWO-STAGE-MAST) .....</b>	<b>66</b>
<b>FIG. 31 TILT HYDRAULIC SYSTEM (ONE-STAGE-MAST) .....</b>	<b>68</b>
<b>FIG. 32 SIDESWAY HYDRAULIC SYSTEM (THREE-STAGE-MAST) .....</b>	<b>70</b>
<b>FIG. 33 REAR LIFTING CYLINDER (THREE-STAGE-MAST) .....</b>	<b>72</b>
<b>FIG. 34 REAR LIFTING CYLINDER (TWO-STAGE-MAST) .....</b>	<b>74</b>
<b>FIG. 35 FRONT LIFTING CYLINDER (THREE-STAGE-MAST) .....</b>	<b>76</b>
<b>FIG. 36FRONT LIFTING CYLINDER (ONE-STAGE-MAST) .....</b>	<b>78</b>
<b>FIG. 37 REACH FORWARD CYLINDER .....</b>	<b>80</b>
<b>FIG. 38 TILT CYLINDER.....</b>	<b>82</b>
<b>FIG. 39 VALVE .....</b>	<b>84</b>
<b>FIG. 40 PUMP SYSTEM .....</b>	<b>86</b>
<b>FIG. 41 HANDLE ARM ASSEMBLY .....</b>	<b>88</b>
<b>FIG. 42 HANDLE HEAD .....</b>	<b>90</b>
<b>FIG. 43 PROTECTIVE ARM .....</b>	<b>92</b>
<b>FIG. 44 FOLDABLE PLATFORM.....</b>	<b>94</b>
<b>FIG. 45 BATTERY .....</b>	<b>97</b>
<b>EASY WORN PARTS LIST .....</b>	<b>99</b>

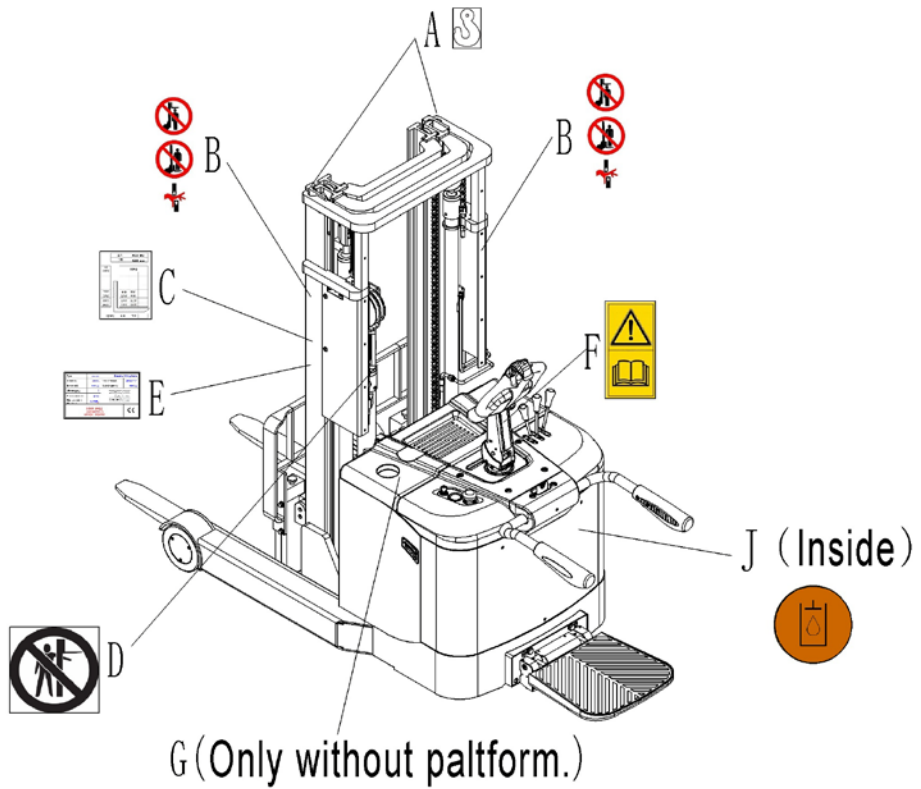
**Fig. 1 Label (for US)**



**Fig. 1 Label (for US)**

No.	Art No.	Description	Qty.	Note
A	9000005967	Crane hook label	2	
C	9000012704	Residual lift capacity sticker	1	
E	9000012705	Identification plate (ID-plate)	1	
F	9000003570	Sticker to read and follow these instructions	1	
H	9000005971	Warning label	2	
I	9000003577	Warning label	1	
J	9000008555	Filling sticker	1	
K	9000003575	Warning label	1	
L	9000003580	Warning label	1	
M	9000003579	Warning label	1	
N	9000005970	Warning label	1	

**Fig. 2 Label (for EU)**

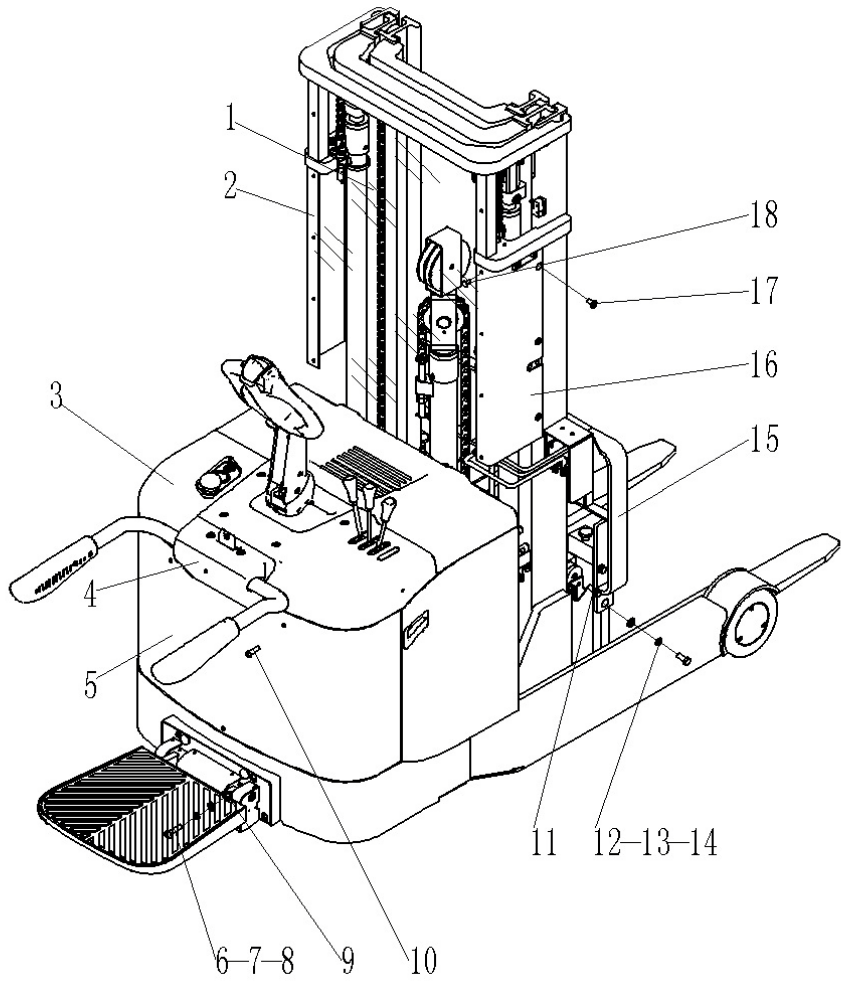


**WARNING**  
**No Riding.**  
Riding on this  
truck and/or  
trailer will  
cause  
accidents.

**Fig. 2 Label (for EU)**

No.	Art No.	Description	Qty.	Note
A	9000005967	Crane hook label	2	
B	9000003923	Warning decal: Do not step under or on the forks	2	
C	9000012704	Residual lift capacity sticker	1	
D	9000008561	Never reach through	1	
E	9000012705	Identification plate	1	
F	9000003570	Sticker to read and follow these instructions	1	
G	9000003573	'No passengers' decal	1	
J	9000008555	Filling sticker	1	

**Fig. 3 Appearance (Three-stage-mast)**

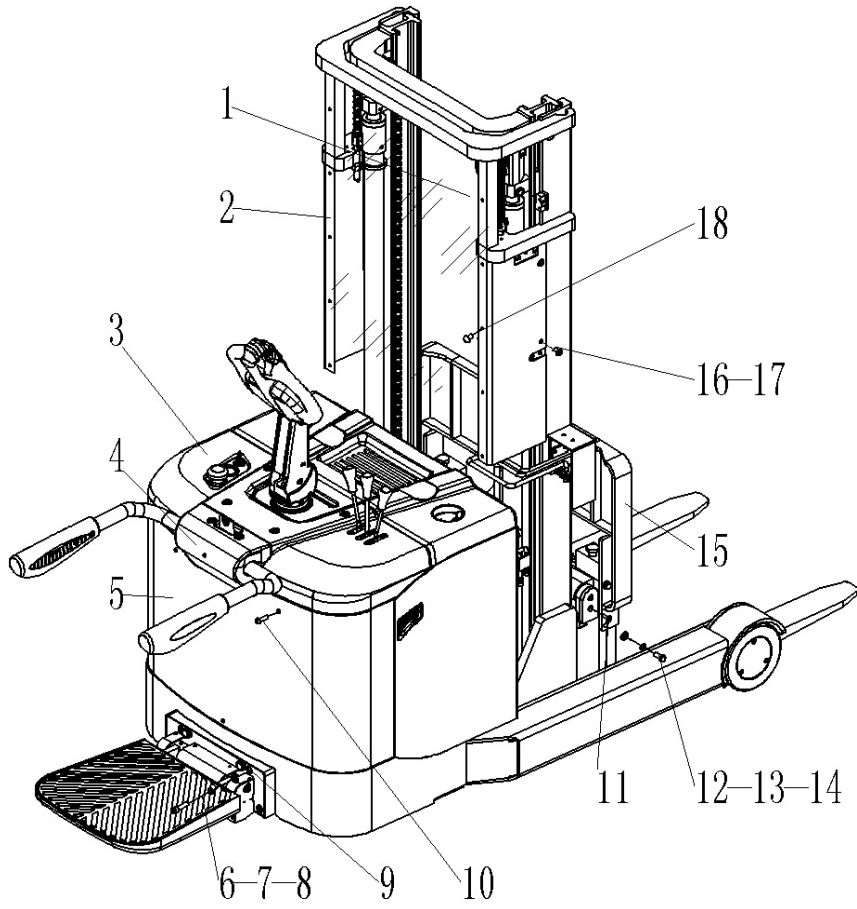




**Fig. 3 Appearance (Three-stage-mast)**

No.	Art No.	Description	Qty.	Note
1	9000010433	Protective glass	1	4500
	9000012512			3600
2	9000010434	Protective glass assembly frame 2	1	4500
	9000012498			3600
3	9000010435	Top cover	1	
4	9000008063	Protective arm cover	1	With protective arm
5	9000010436	Rear apron	1	
6	0090000450	Screw	4	M12×45
7	0090000048	Washer	4	12
8	0000025024	Washer	4	12
9	0000024006	Lock nut	4	M12
10	9000007791	Screw	9	M10×35
11	0000023941	Screw	4	M8×25
12	0000023088	Screw	4	M10×25
13	0000023006	Washer	4	10
14	0000025002	Washer	4	10
15	9000010437	Load backrest	1	
16	9000010438	Windscreen assembly frame 1	1	4500
	9000012534			3600
17	0090000448	Screw	6	M8×20
18	9000007803	Nylon rivet	10	

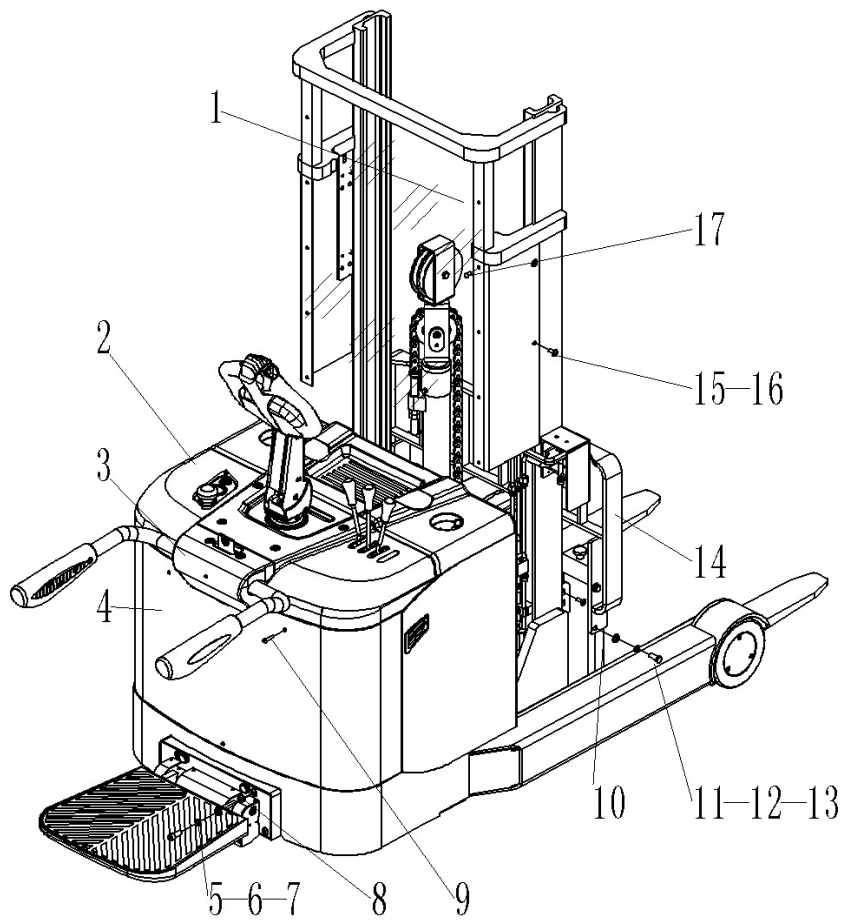
**Fig. 4 Appearance (Two-stage-mast)**



**Fig. 4 Appearance (Two-stage-mast)**

No.	Art No.	Description	Qty.	Note
1	9000010433	Windscreen	1	
2	9000010434	Windscreen assembly frame 2	1	
3	9000010435	Top cover	1	
4	9000008063	Protective arm cover	1	With protective arm
5	9000010436	Rear apron	1	
6	0090000450	Screw	4	M12x45
7	0090000048	Washer	4	12
8	0000025024	Washer	4	12
9	0000024006	Lock nut	4	M12
10	9000007791	Screw	9	M10x35
11	0000023941	Screw	4	M8x25
12	0000023088	Screw	4	M10x25
13	0000023006	Washer	4	10
14	0000025002	Washer	4	10
15	9000010437	Load backrest	1	
16	9000010438	Windscreen assembly frame 1	1	
17	0090000448	Screw	6	M8x20
18	9000007803	Nylon rivet	10	

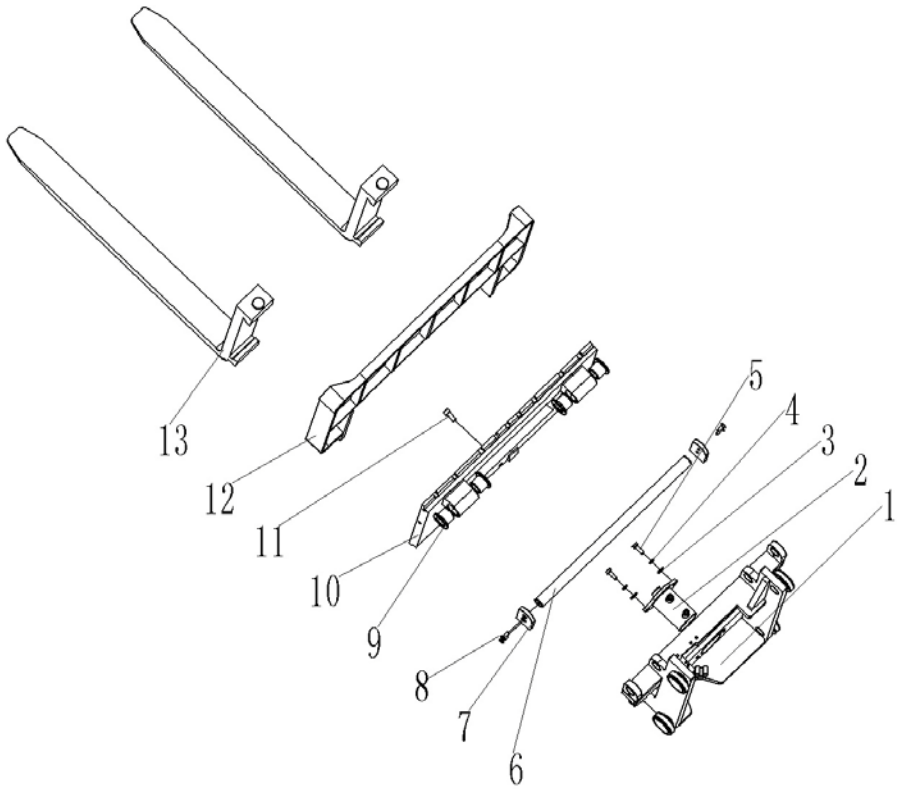
**Fig. 5 Appearance (One-stage-mast)**



**Fig. 5 Appearance (One-stage-mast)**

No.	Art No.	Description	Qty.	Note
1	9000010439	Windscreen	1	1600
	9000012513			1800
2	9000010435	Top cover	1	
3	9000008063	Protective arm cover	1	With protective arm
4	9000010436	Rear apron	1	
5	0090000450	Screw	4	M12x45
6	0090000048	Washer	4	12
7	0000025024	Washer	4	12
8	0000024006	Lock nut	4	M12
9	9000007791	Screw	9	M10x35
10	0000023941	Screw	4	M8x25
11	0000023088	Screw	4	M10x25
12	0000023006	Washer	4	10
13	0000025002	Washer	4	10
14	9000010437	Load backrest	1	
15	9000010440	Windscreen assembly frame	1	1600
	9000012498			1800
16	0090000448	Screw	6	M8x20
17	9000007803	Nylon rivet	10	

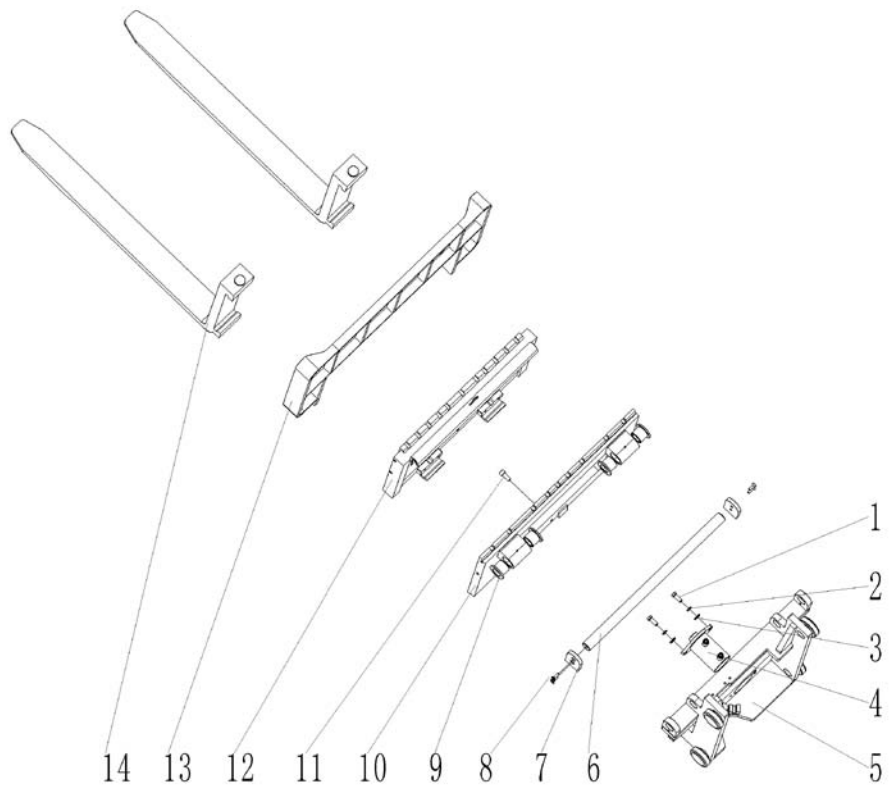
**Fig. 6 Pallet frame**



**Fig. 6 Pallet Frame**

No.	Art No.	Description	Qty.	Note
1	9000010441	Inner carriage	1	three-stage-mast
	9000012501			two-stage-mast
	9000012504			one-stage-mast
2	9000010444	Tilt cylinder assembly	1	
3	0000025111	Washer	2	12
4	0000025024	Washer	2	12
5	0000023268	Screw	2	M12x30
6	9000010442	Fork axle	1	three-stage-mast
	9000012502			two-stage-mast
	9000012505			one-stage-mast
7	9000000426	Fork axle damper	2	
8	0000023941	Screw	4	M8x25
9	9000003623	JFB bearing	4	3540
10	9000010443	Fork frame	1	three-stage-mast
	9000012503			two-stage-mast
	9000012506			one-stage-mast
11	0000023268	Screw	1	M12x30
12	9000000446	Load backrest	1	
13	2080501001	Fork assembly	2	

**Fig. 7 Pallet frame(sideways)**

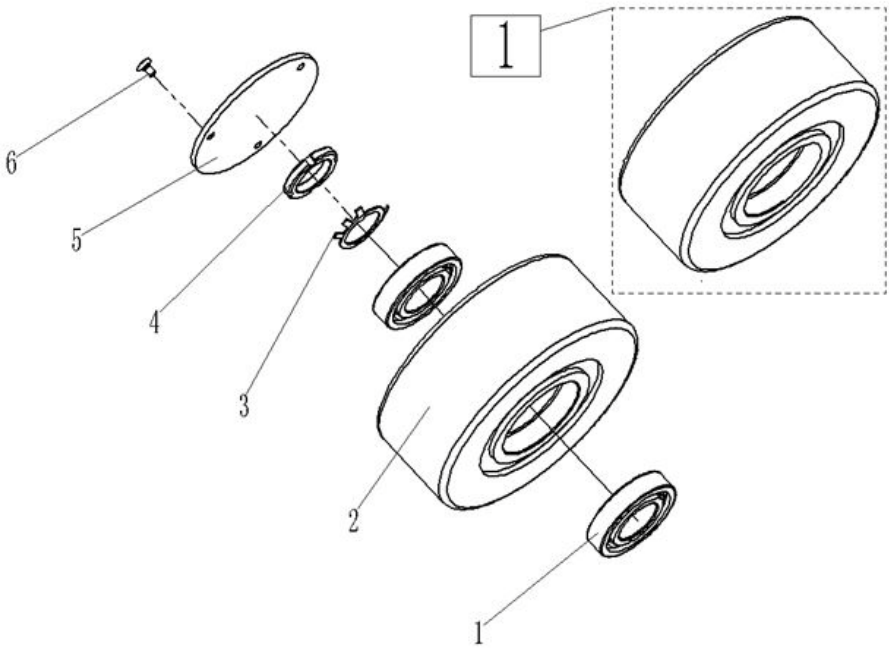




**Fig. 7 Pallet Frame(sideways)**

No.	Art No.	Description	Qty.	Note
1	0000023268	Screw	2	M12×30
2	0000025024	Washer	2	12
3	0000025111	Washer	2	12
4	9000010444	Tilt cylinder assembly	1	
5	9000010441	Inner carriage	1	
6	9000010442	Fork axle	1	
7	9000000426	Fork axle damper	2	
8	0000023941	Screw	4	M8×25
9	9000003623	JFB bearing	4	3540
10	9000010443	Fork frame	1	
11	0000023268	Screw	1	M12×30
12	9000010446	Side shifter	1	
13	9000000446	Load backrest	1	
14	2080501001	Fork assembly	2	

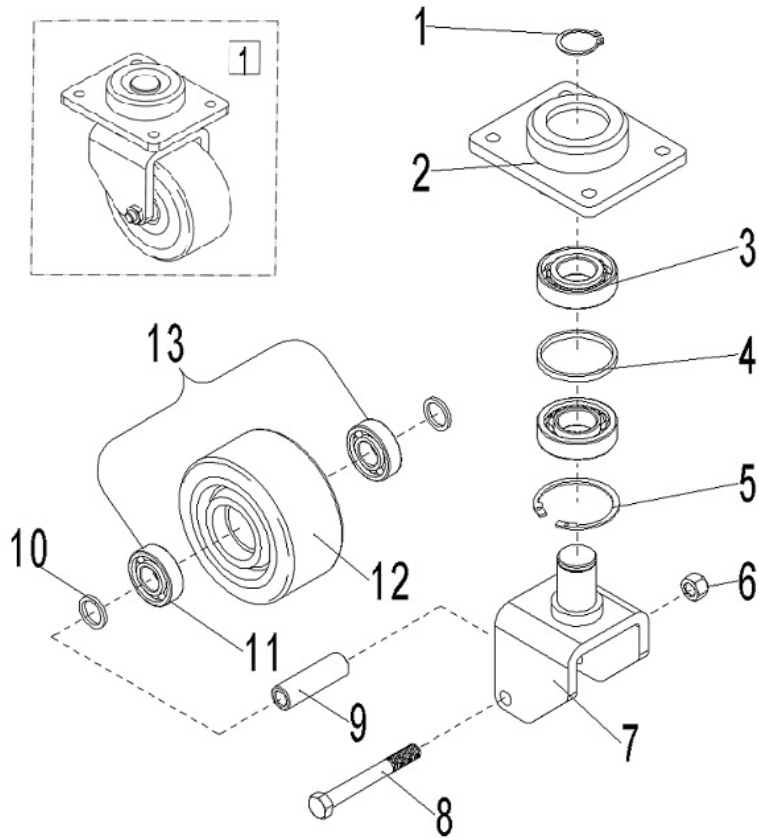
**Fig. 8 Load roller**



**Fig. 8 Load Roller**

No.	Art No.	Description	Qty.	Note
1	0000027047	Bearing	2	6210
2	9000012430	castor	1	
3	0090000670	Washer	1	36
4	0090000671	Nut	1	M42x1.5
5	2090402003	End cap	1	
6	0000023091	Screw	3	M6x12
①	9000012429	Load roller	2	

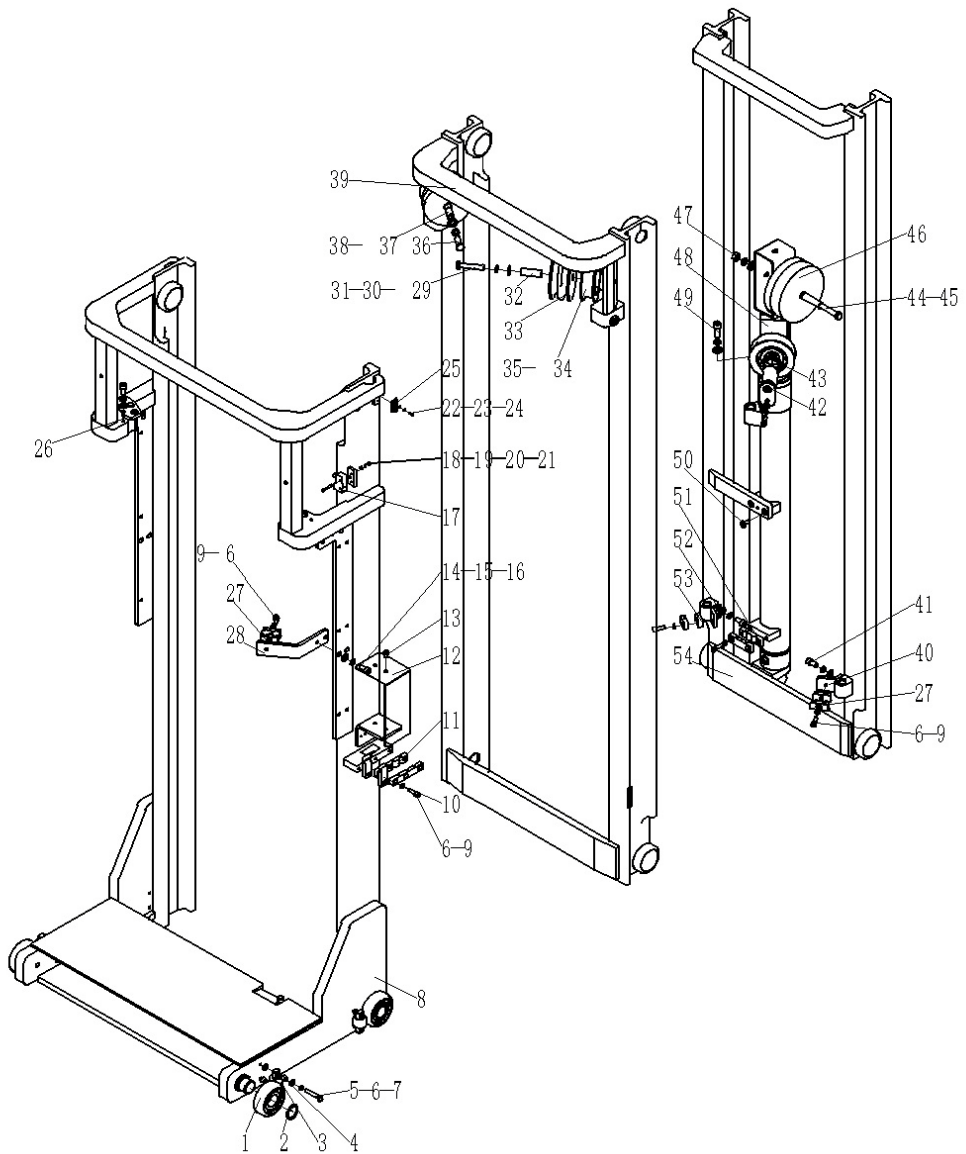
**Fig. 9 Steering wheel assembly**



**Fig. 9 Steering Wheel Assembly**

No.	Art No.	Description	Qty.	Note
1	0000026008	Circlip	1	30
2	2000405001	Bearing seat	1	
3	0000027013	Bearing	2	7206C/DB
4	2000413001	Bushing	1	
5	0000026010	Circlip	1	62
6	0000024015	Lock nut	1	M14
7	2000401007	Rear castor frame	1	
8	0000023111	Bolt	1	M14×100
9	2000413002	Sleeve	1	
10	1000525001	Washer	2	
11	0000027001	Bearing	2	6204
12	2020416001	Castor	1	124×60
13	9000003638	Castor assembly	2	
①	2040400001	Steering wheel assembly	2	

**Fig. 10 Mast assembly (Three-stage-mast)**



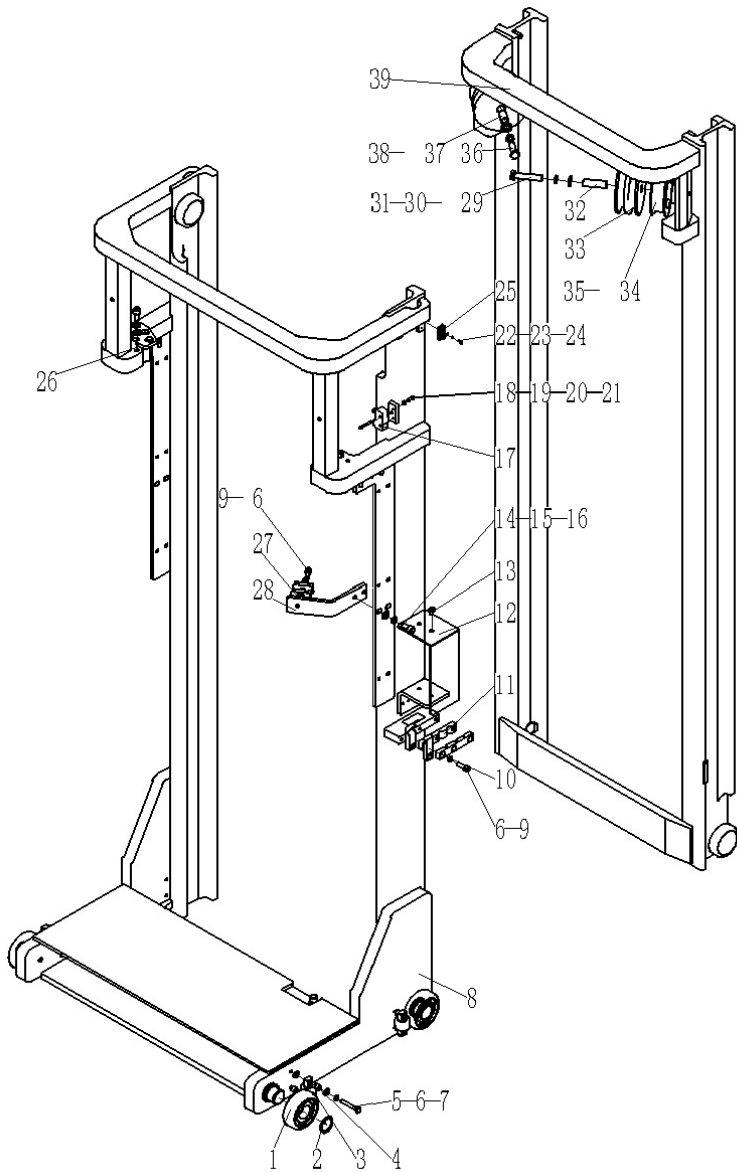
**Fig. 10 Mast Assembly (Three-stage-mast)**

No.	Art No.	Description	Qty.	Note
1	9000000410	Bearing	4	
2	0000026035	Circlip	4	35
3	9000003230	Side bearing	4	
4	9000000383	Side roller pad 1	8	
5	0000023427	Bolt	8	M8×50
6	0000025004	Washer	13	8
7	0000025011	Washer	13	8
8	9000010448	Mast	1	4500
	9000012514			3600
9	0000023061	Screw	10	M8×25
10	9000011966	Steel pipe clamp 4	2	
11	9000011965	Steel pipe clamp 3	2	
12	9000010449	Oil hose protective cover	1	
13	0000023937	Screw	2	M8x12
14	0000023034	Screw	4	M10×20
15	0000023006	Washer	4	10
16	0000025002	Washer	4	10
17	3002434003	Micro switch	1	RZ-15GWF22-B3
18	0090000073	Screw	2	M4x30
19	0000025019	Washer	2	4
20	0000025009	Washer	2	4
21	0000023069	Nut		M4
22	0000023700	Screw	1	M3×6
23	0000025003	Washer	2	3
24	0000025026	Washer	2	3
25	9000008332	1.8 Magnet switch	2	HWK23
26	9000011976	Joint assembly plate	1	
27	9000011967	Steel pipe clamp 5	4	
28	9000011968	Steel pipe clamp assembly plate 1	1	
29	0000023645	Bolt	1	M12×65
30	0000025024	Washer	4	12
31	0000025032	Washer	4	12
32	9000010450	Mast pulley bushing	1	

33	9000010451	Mast pulley	1	
34	9000000404	Chain wheel bearing	3	
35	0000026014	Circlip	2	40
36	0000023184	Bolt	1	M12×40
37	9000010452	Lift pulley	1	
38	9000010453	Lift pulley bushing	1	
39	9000010454	Mast	1	4500
	9000012508			3600
40	9000011972	Steel pipe clamp assembly plate 4	1	
41	0000023080	Screw	4	M10×16
42	9000010455	Chain wheel axle	1	
43	9000011977	Washer	2	
44	9000010456	Mast pulley bushing	2	
45	0090000416	Bolt	1	M12×90
46	9000010457	Mast pulley	1	
47	0000024047	Nut	1	M12
48	9000010445	Chain wheel frame	1	
49	0000023094	Screw	1	M12×30
50	0090000309	Screw	2	M8x20
51	9000011971	Steel pipe clamp 7	2	
52	9000011969	Steel pipe clamp assembly plate 3	1	
53	9000011970	Steel pipe clamp 6	2	
54	9000010458	Mast	1	4500
	9000012509			3600



**Fig. 11 Mast assembly (Two-stage-mast)**

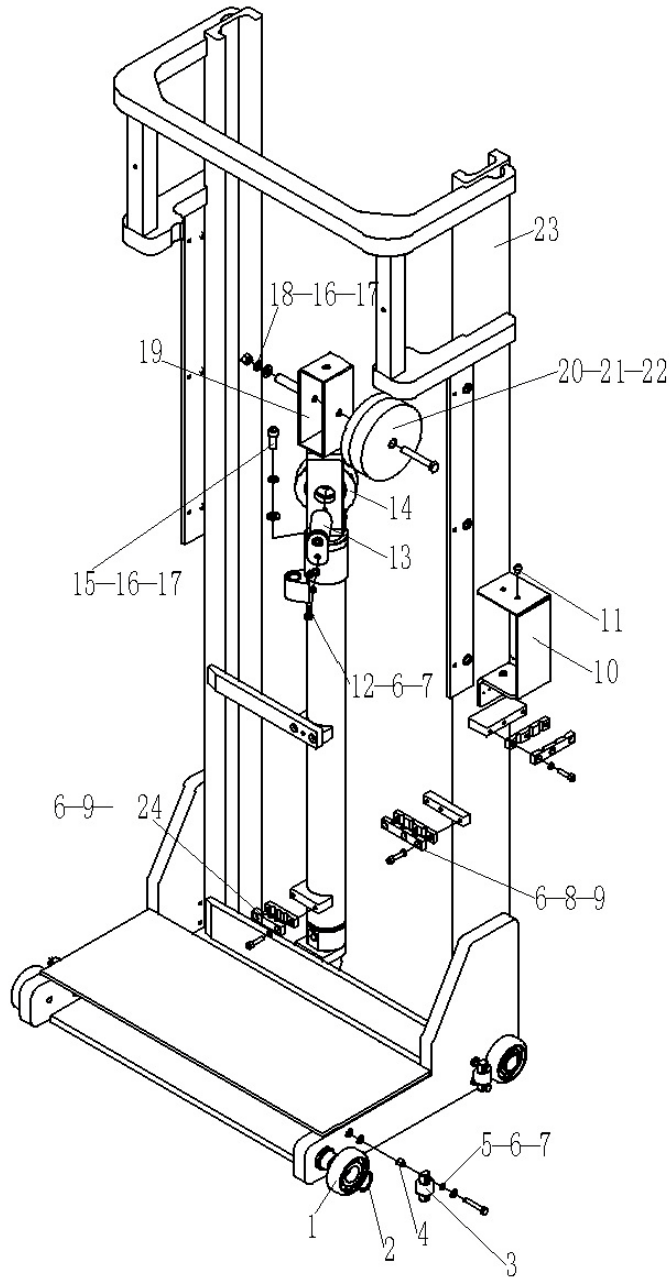


**Fig. 11 Mast Assembly (Two-stage-mast)**

No.	Art No.	Description	Qty.	Note
1	9000000410	Bearing	4	
2	0000026035	Circlip	4	35
3	9000003230	Side bearing	4	
4	9000000383	Side roller pad 1	8	
5	0000023427	Bolt	8	M8x50
6	0000025004	Washer	10	8
7	0000025011	Washer	10	8
8	9000010448	Mast	1	
9	0000023061	Screw	10	M8×25
10	9000011966	Steel pipe clamp 4	2	
11	9000011965	Steel pipe clamp 3	2	
12	9000010449	Oil hose protective cover	1	
13	0000023937	Screw	2	M8x12
14	0000023034	Screw	4	M10×20
15	0000023006	Washer	4	10
16	0000025002	Washer	4	10
17	3002434003	Micro switch	1	RZ-15GWF22-B3
18	0090000073	Screw	2	M4x30
19	0000025019	Washer	2	4
20	0000025009	Washer	2	4
21	0000023069	Nut		M4
22	0000023700	Screw	1	M3×6
23	0000025003	Washer	2	3
24	0000025026	Washer	2	3
25	9000008332	1.8M Magnet switch	2	HWK23
26	9000011976	Joint assembly plate	1	
27	9000011967	Steel pipe clamp 5	4	
28	9000011968	Steel pipe clamp assembly plate 1	1	
29	0000023645	Bolt	1	M12×65
30	0000025024	Washer	4	12
31	0000025032	Washer	4	12
32	9000010450	Mast pulley bushing	1	
33	9000010451	Mast pulley	1	

34	9000000404	Chain wheel axle	3	
35	0000026014	Circlip	2	40
36	0000023184	Bolt	1	M12×40
37	9000010452	Lift pulley	1	
38	9000010453	Lift pulley bushing	1	
39	9000010459	Mast	1	

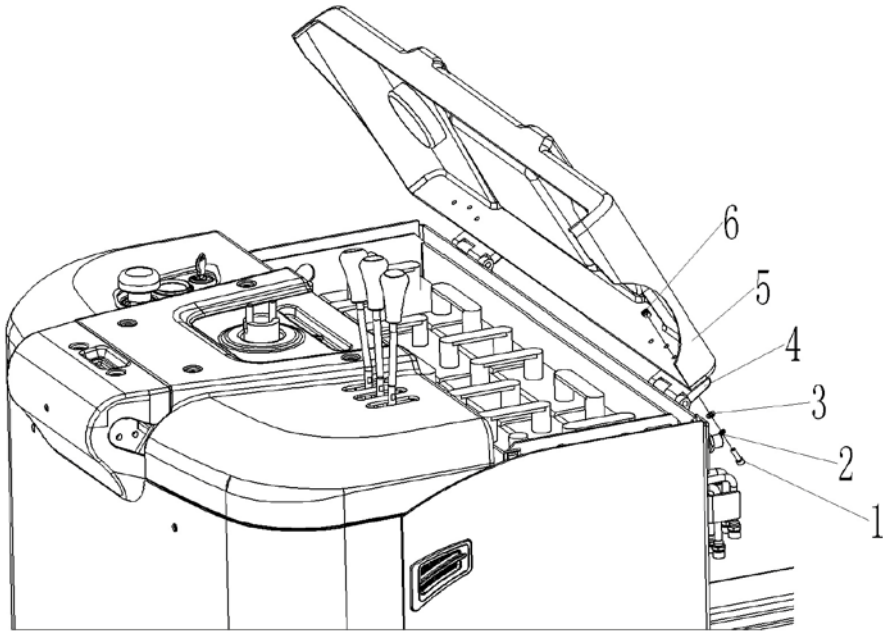
**Fig. 12 Mast Assembly (One-stage-mast)**



**Fig. 12 Mast Assembly (One-stage-mast)**

No.	Art No.	Description	Qty.	Note
1	9000000410	Bearing	4	
2	0000026035	Circlip	4	35
3	9000003230	Side bearing	4	
4	9000000383	Side roller pad 1	8	
5	0000023427	Bolt	8	M8x50
6	0000025004	Washer	11	8
7	0000025011	Washer	11	8
8	9000011965	Steel pipe clamp 3	4	
9	0000023061	Screw	8	M8×25
10	9000010449	Oil hose protective cover	1	
11	0000023937	Screw	2	M8x12
12	0000023047	Screw	1	M8x25
13	9000010455	Chain wheel axle	1	
14	9000000404	Chain wheel bearing	1	
15	0000023096	Bolt	1	M12x30
16	0000025024	Washer	2	12
17	0000025032	Washer	2	12
18	0000024047	Nut	1	M12
19	9000010445	Chain wheel frame	1	
20	9000010457	Mast pulley	1	
21	9000010456	Mast pulley bushing	1	
22	0000023589	Bolt	1	M12x80
23	9000010461	Mast	1	1600
	9000012535			1800
24	9000011971	Steel pipe clamp 7	1	

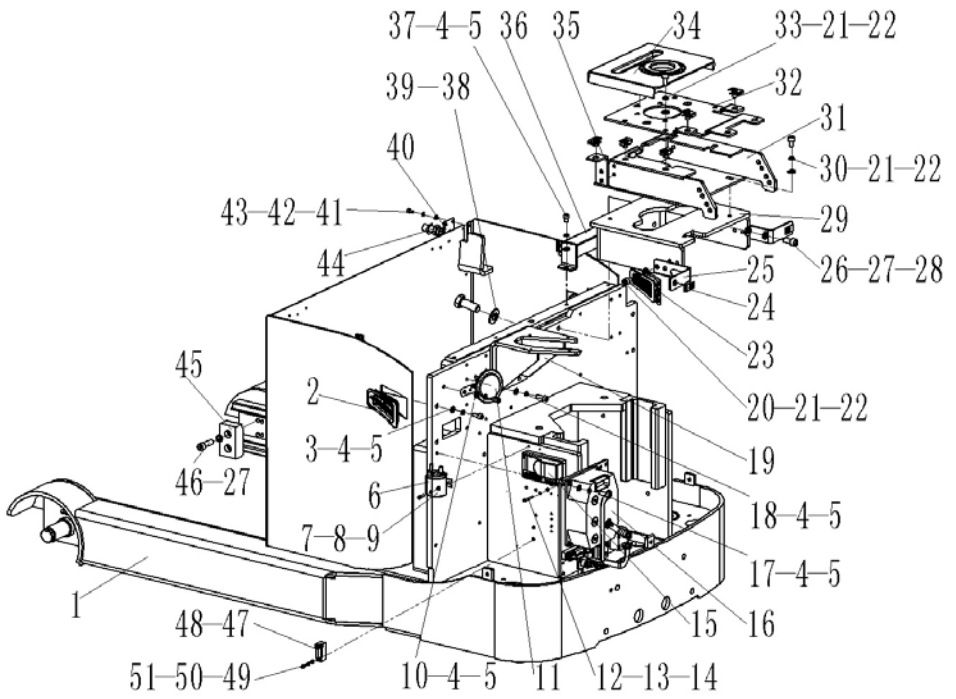
**Fig. 13 Battery cover**



**Fig. 13 Battery Cover**

No.	Art No.	Description	Qty.	Note
1	0000023040	Screw	12	M6×16
2	0000025010	Washer	12	6
3	0000023055	Washer	12	6
4	9000010462	Hinge	2	
5	9000008008	Battery cover	1	
6	0000024101	Lock nut	12	M6

**Fig. 14 Truck body**



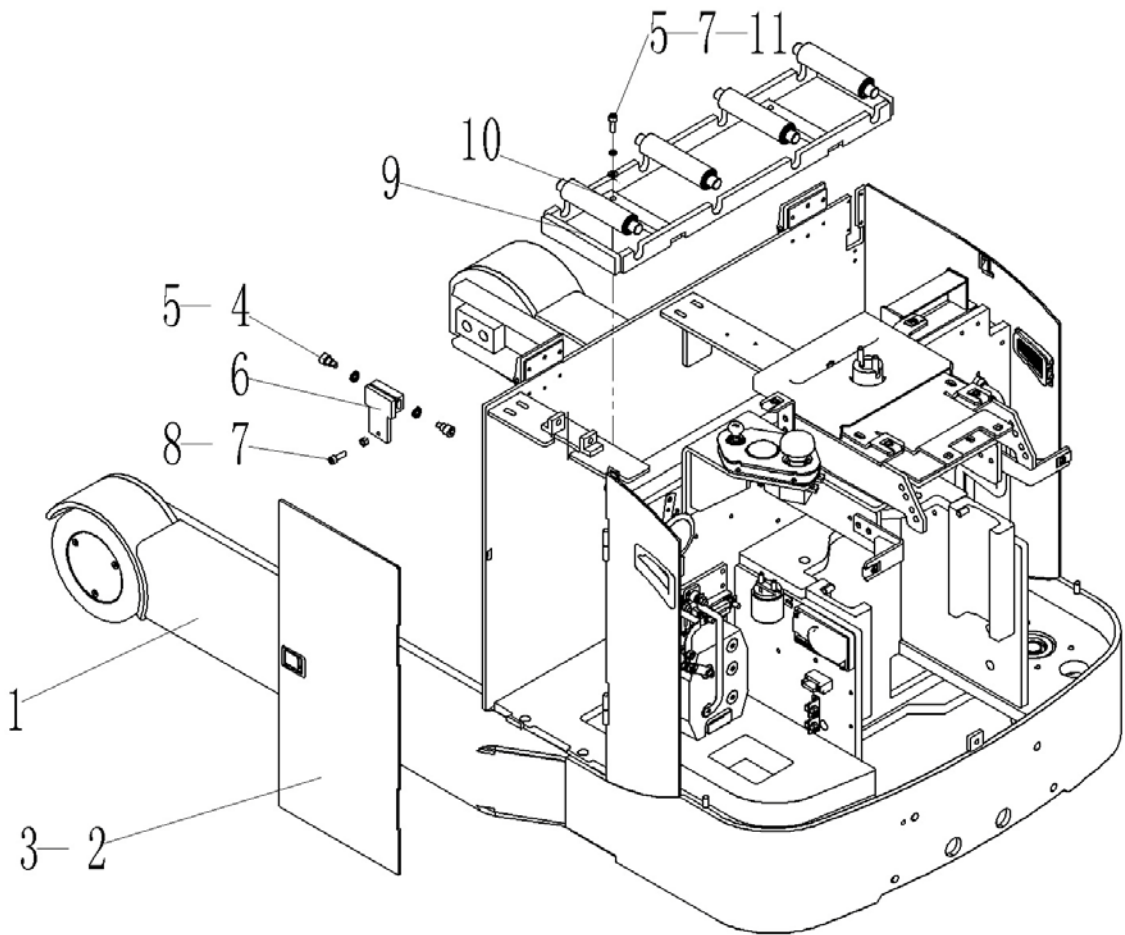


**Fig. 14 Truck Body**

No.	Art No.	Description	Qty.	Note
1	9000012431	Truck body	1	
2	9000007920	Vent hole L	1	
3	0000023044	Screw	4	M8x20
4	0000025001	Washer	13	8
5	0000025011	Washer	13	8
6	9000007858	Lifting contactor	1	
7	0000023566	Bolt	2	M5x16
8	0000025015	Washer	2	5
9	0000025014	Washer	2	5
10	0000023067	Screw	1	M8x16
11	9000003230	Horn	1	
12	0090000082	Screw	2	M4x30
13	0000025018	Washer	2	4
14	0000025019	Washer	2	4
15	9000010463	Steering controller	1	
16	9000010464	Electrical assembly	1	
17	0000023047	Screw	2	M8x25
18	0000023172	Screw	4	M8x30
19	9000010465	Indicator frame	1	
20	0000023080	Screw	4	M10x16
21	0000023006	Washer	16	10
22	0000025002	Washer	16	10
23	9000007923	Vent hole R	1	
24	9000007783	Nut	11	M10
25	9000010466	Rear apron fixing frame	2	
26	0000023156	Screw	4	M12x25
27	0000025024	Washer	5	12
28	0000025032	Washer	4	12
29	9000010467	Support linking seat	1	
30	0000023080	Screw	4	M10x16
31	9000010468	Top cover linking seat	1	
32	9000010469	Handle supporting board	1	
33	0000023034	Screw	4	M10x20
34	9000007995	Middle cover	1	

35	9000010470	Top cover fixing frame	2	
36	9000010471	Valve protecting cover	1	
37	0000023089	Screw	2	M8×12
38	0000023102	Screw	1	M16×55
39	0000025059	Washer	1	16
40	9000010472	Joint assembly board	1	
41	0000023042	Screw	4	M6×10
42	0000025010	Washer	4	6
43	0000023055	Washer	4	6
44	9000010473	Joint	1	
45	9000010556	Damping pad	2	
46	0000023509	Screw	4	M12×40
47	1000434040	Fuse	1	10A
48	1000434021	Fuse seat	1	BD-1×10A
49	0000023858	Screw	2	M3×10
50	0000025003	Washer	2	3
51	0000025026	Washer	2	3

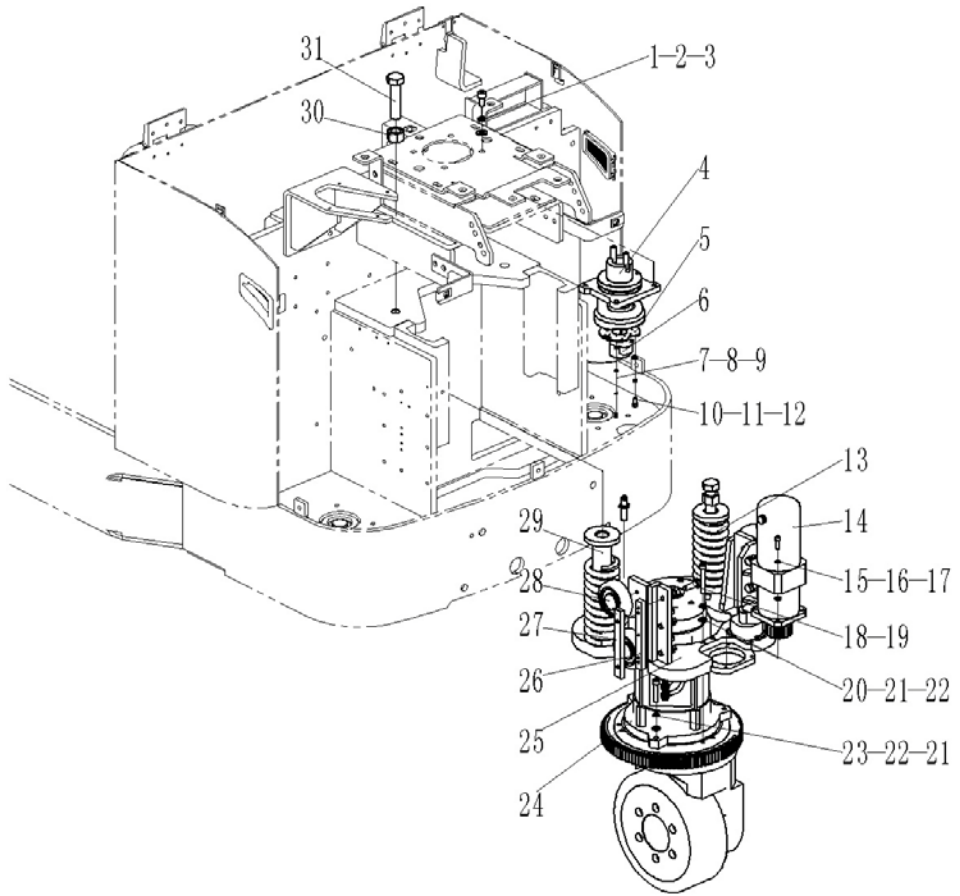
**Fig. 15 Truck body(side pulling battery)**



**Fig. 14 Truck Body (side pulling battery)**

No.	Art No.	Description	Qty.	Note
1	9000013603	Truck body	1	
2	9000011988	Left door plank	1	
3	9000007807	Panel lock	2	
4	9000008007	Battery damper spindle	2	
5	0000025024	Washer	6	12
6	9000008006	Battery damper	1	
7	0000023047	Screw	2	M8x25
8	0000024047	Nut		M12
9	9000011989	Battery frame	1	
10	9000011990	Battery barrel	4	
11	0000025032	Washer	4	12

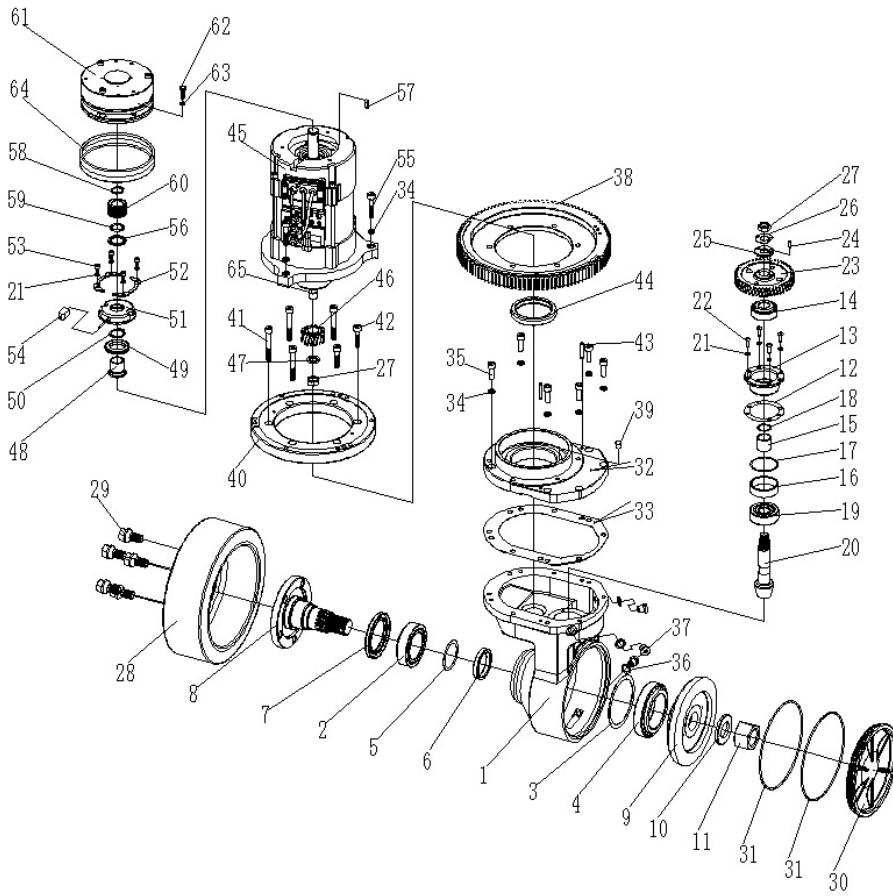
**Fig. 16 Drive system**



**Fig. 16 Drive System**

No.	Art No.	Description	Qty.	Note
1	0000023034	Screw	4	M10×20
2	0000023006	Washer	4	10
3	0000025002	Washer	4	10
4	9000010474	Electrical steering assembly	1	
5	9000007693	Potentiometer fixing plate	1	
6	9000008449	Direction sensor	1	PCS-360
7	0090000554	Screw	3	M3×8
8	0000025003	Washer	3	3
9	0000025026	Washer	3	3
10	0000023076	Screw	3	M5×12
11	0000025015	Washer	3	5
12	0000025014	Washer	3	5
13	9000000554	Spring	2	
14	9000010475	Electrical steering drive unit	1	
15	0000023020	Screw	4	M6×20
16	0000025010	Washer	4	6
17	0000023055	Washer	4	6
18	0000023469	Bolt	2	M20×100
19	0090000028	Nut	2	M20
20	0090000005	Screw	6	M8×55
21	0000025001	Washer	9	8
22	0000025011	Washer	9	8
23	0000023077	Screw	3	M8×40
24	9000010476	Drive unit	1	
25	9000010477	Drive wheel frame	1	
26	9000010478	Spherical hinge assembly board	2	
27	9000010479	JDBS spherical hinge	2	
28	9000010480	Bearing	4	
29	9000000555	Spring guide pillar	2	
30	0090000028	Nut	2	M20
31	0000023469	Bolt	2	M20×100

Fig.17 Drive unit



**Fig. 17 Drive Unit**

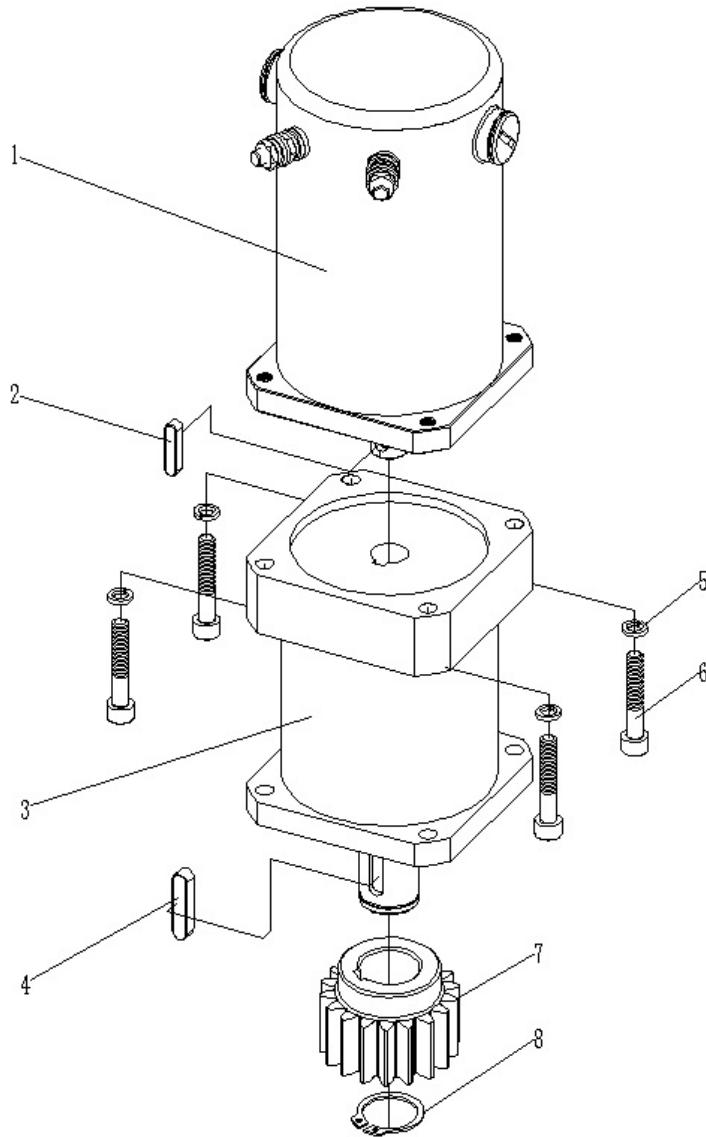
No.	Art No.	Description	Qty.	Note
1	9000009730	Gear box	1	
2	0090000519	Bearing	1	33010
3	9000009731	Adjusting washer	1	
4	0090000145	Bearing	1	32013
5	9000009732	Adjusting washer	1	
6	9000009733	Bushing	1	
7	0090000520	Oil seal	1	60x85x8
8	9000009734	Drive wheel	1	
9	9000009735	Gear	1	
10	9000009736	Lock washer	1	
11	0090000527	Nut	1	M30x2
12	9000009737	Adjusting washer	1	
13	9000009507	Bearing seat	1	
14	0090000503	Bearing	1	32204
15	9000009504	Sleeve	1	
16	9000009503	Sleeve	1	
17	9000009505	Adjusting washer	1	
18	9000009506	Adjusting washer	1	
19	0090000502	Bearing	1	32304
20	9000009738	Gear	1	
21	0000025015	Washer	8	5
22	0000023675	Screw	4	M5x16
23	9000009739	Gear	1	
24	0090000117	Dowel pin	1	4x12
25	9000009509	Washer	1	
26	0000025066	Washer	1	14
27	0090000090	Nut	2	M14x1.5
28	2390200005	Drive wheel	1	
29	2390223001	Screw	5	



30	9000009740	Side cover	1	
31	0090000521	O seal cover	2	160x2.65
32	9000009741	Upper cover	1	
33	9000009742	Paper washer	1	
34	0000025001	Washer	9	8
35	0000023047	Screw	6	M8x25
36	0000022036	Seal washer	3	12
37	0090000506	Screw plug	3	M12x1.25
38	9000009743	Steering gear	1	
39	9000009744	Vent plug	1	
40	9000009745	Rotating support	1	
41	0090000525	Screw	4	M8x60
42	0000023455	Screw	2	M8x35
43	0000028027	Dowel pin	2	6x30
44	0090000151	Oil seal	1	65x82x12
45	9000009746	Motor	1	
46	9000009747	Gear	1	
47	0090000522	Washer	1	14
48	9000009748	Sleeve	1	
49	9000009523	Gear	1	
50	0000026013	Circlip	1	25
51	9000009524	Sensor	1	
52	9000009522	Flange	2	
53	0000023311	Screw	4	M5x10
54	9000008854	Bushing	1	
55	0000023077	Screw	3	M8x40
56	9000009525	Spacer	1	
57	0000036001	Flat key	1	A 6x16
58	0000026003	Circlip	1	20
59	0000022059	Seal ring	1	20x2.65
60	9000009749	Bushing	1	

61	9000009750	Brake	1	
62	0090000526	Bolt	3	M6x20
63	0000025010	Washer	3	6
64	9000009521	Dust cover	1	
65	0090000523	Key	1	4x6.5x16

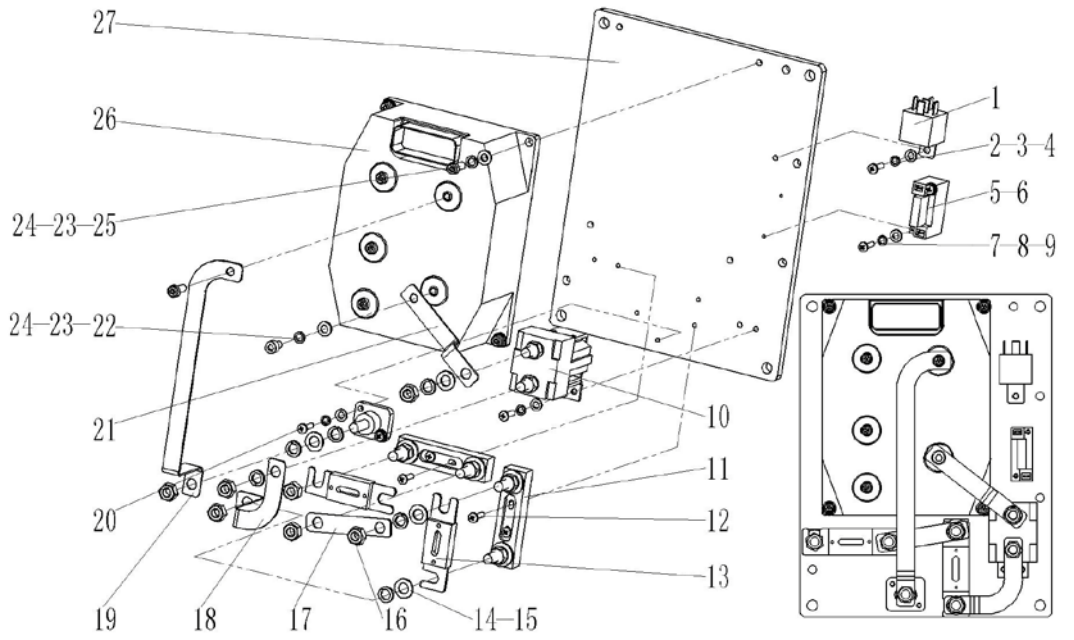
**Fig.18 Steering unit (STDC 2032)**



**Fig. 18 Steering Unit (20 STDC 2032)**

No.	Art No.	Description	Qty.	Note
1	9000009208	Motor	1	
2	0090000524	Flat key	1	A 5x22
3	9000009751	Gear box	1	
4	0090000118	Flat key	1	A 6x28
5	0000025010	Washer	4	6
6	0000023090	Screw	4	M6x35
7	9000009727	Gear	1	
8	0000026040	Circlip	1	22

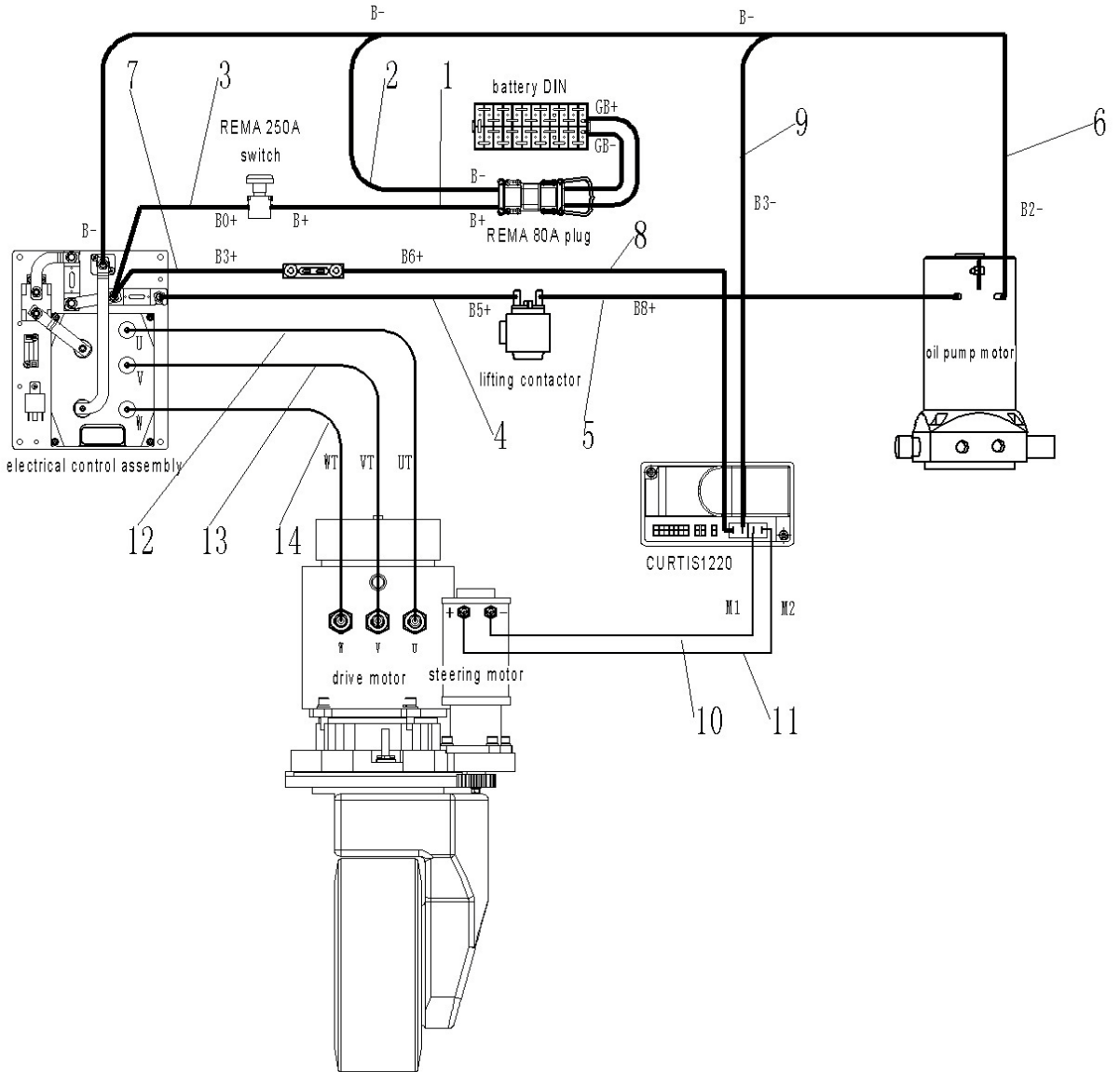
**Fig. 19 Controller assembly**



**Fig. 19 Controller assembly**

No.	Art No.	Description	Qty.	Note
1	1000434041	Pump contactor	1	
2	0000023516	Screw	3	M5×10
3	0000025015	Washer	3	
4	0000025014	Washer	3	5
5	1000434040	Fuse	1	10A
6	1000434021	Fuse seat	1	BD-1×10A
7	0000023573	Screw	2	M3×10
8	0000025003	Washer	6	3
9	0000025026	Washer	6	3
10	1000434006	Traction motor contactor	1	C100/120 DC24V
11	1000434007	Fuse seat	2	
12	0000023211	Screw	2	
13	2210434004	Fuse	1	150A
14	0000024112	Nut	13	M8
15	0000025001	Washer	14	8
16	0000025011	Washer	4	8
17	9000010481	Copper bar 一	1	
18	9000010482	Copper bar 三	1	
19	9000010483	Copper bar 四	1	
20	0000023211	Screw	2	M4×14
21	9000010484	Copper bar 二	1	
22	0000023042	Screw	3	M6×10
23	0000025010	Washer	7	6
24	0000023055	Washer	7	6
25	0000023040	Screw	7	M6×16
26	9000000235	Controller	1	CURTIS1232E-2121
27	9000010485	Aluminum	1	

**Fig. 20 Main wire**

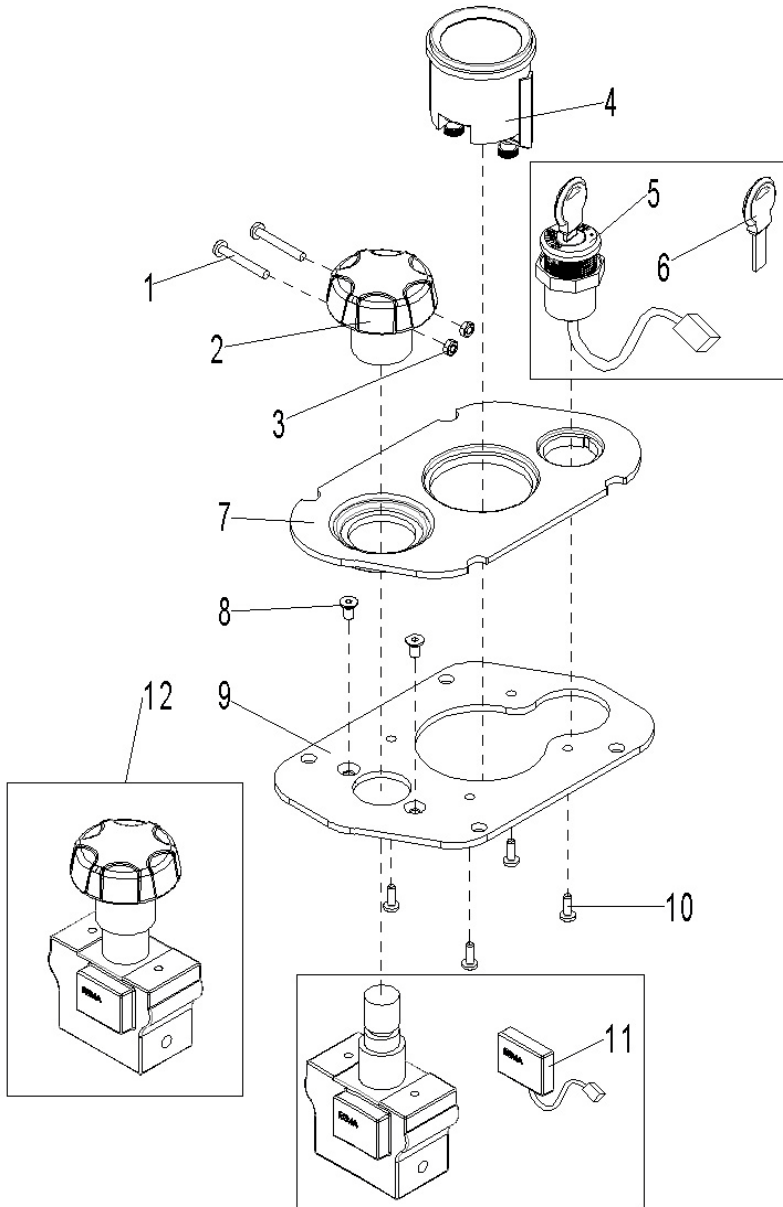


**Fig. 20 Main Wire**

No.	Art No.	Description	Qty.	Note
1	9000010487	B+	1	
2	9000010486	B-	1	
3	9000010488	B0+	1	
4	9000010489	B5+	1	
5	9000010490	B8+	1	
6	9000010491	B2-	1	
7	9000010492	B3+	1	
8	9000010493	B6+	1	
9	9000010494	B3-	1	
10	9000010495	M1	1	
11	9000010496	M2	1	
12	9000010497	UT	1	
13	9000010498	VT	1	
14	9000010499	WT	1	



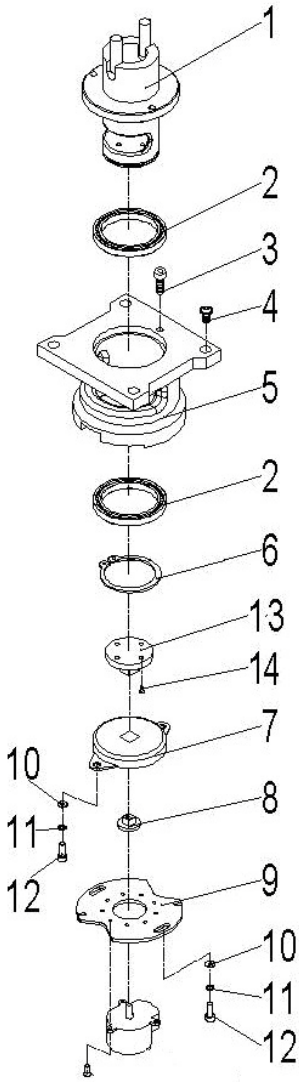
**Fig. 21 Indicator assembly**



**Fig. 21 Indicator Assembly**

No.	Art No.	Description	Qty.	Note
1	0000023685	Screw	2	M3x25
2	9000008516	Emergency stop button	1	
3	0000024002	Nut	2	M3
4	9000000760	Indicator	1	MDI CAN
5	9000008326	Key switch	1	
6	9000008519	Key	1	
7	9000007938	Plastic board	1	
8	0000023215	Screw	2	M5x10
9	9000007939	Fixing board	1	
10	0090000272	Screw	4	M4x12
11	9000008517	Proximity switch	1	
12	9000008515	DC power switch	1	

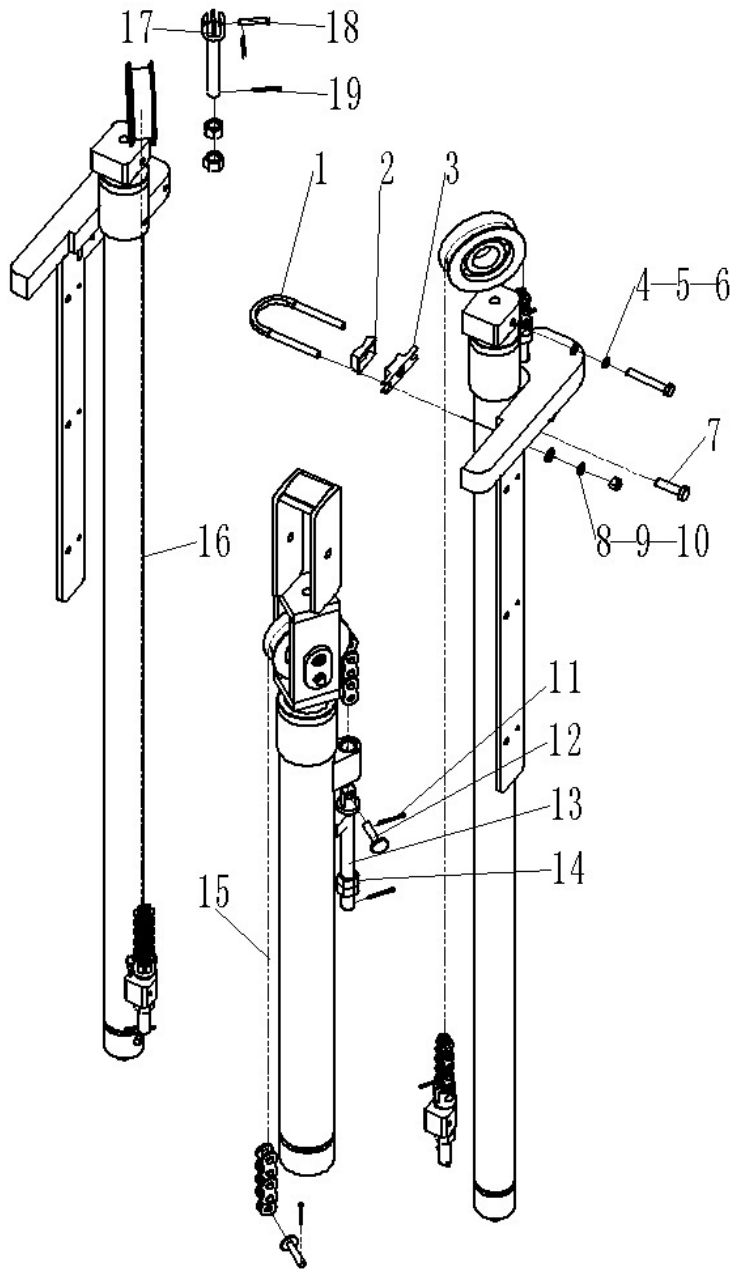
Fig. 22 Electrical steering assembly



**Fig. 22 Electrical Steering Assembly**

No.	Art No.	Description	Qty.	Note
1	9000007422	Axle seat	1	
2	9000000240	Bearing	2	61810
3	0000023042	Screw	3	M6×10
4	0000023034	Screw	4	M10×20
5	9000007423	Fixing seat	1	
6	0000026043	Circlip	1	50
7	9000007806	Damper	1	
8	9000008736	Transitional linking block	1	
9	9000008735	Potentiometer fixing plate	1	
10	0000023032	Washer	4	5
11	0000025015	Washer	4	5
12	0000023311	Screw	4	M5×10
13	9000007424	Linking block	1	
14	0000023073	Screw	4	M4×10

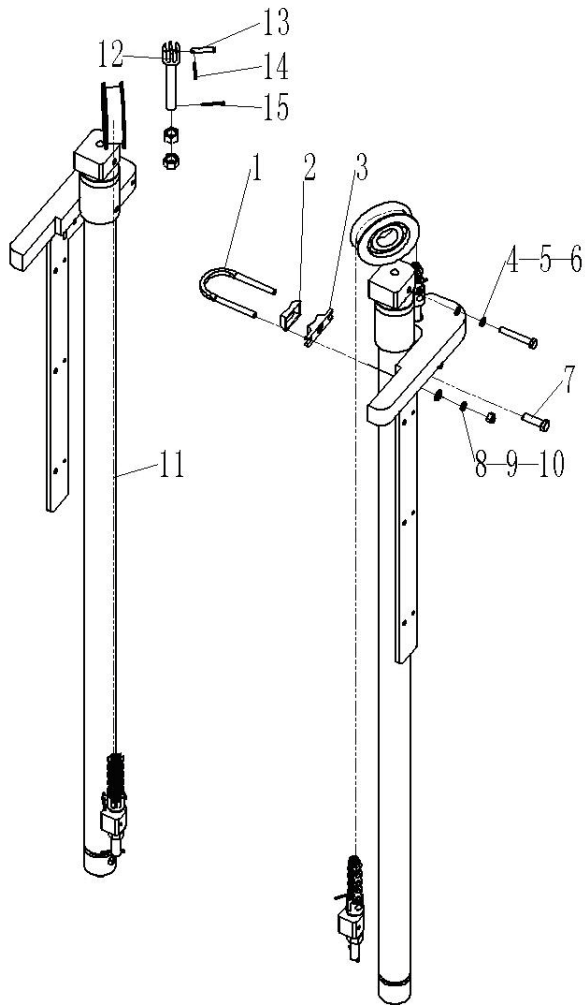
Fig. 23 Lifting cylinder assembly (Three-stage-mast)



**Fig. 23 Lifting Cylinder Assembly (Three-stage-mast)**

No.	Art No.	Description	Qty.	Note
1	9000014152	Cylinder fixing ring	2	
2	3008018001	Rubber bushing	2	
3	3008005001	Cylinder fixing seat	2	
4	0000023856	Bolt	2	M10×65
5	0000023006	Washer	2	10
6	0000025002	Washer	2	10
7	0090000353	Bolt	2	M12×40
8	0000024065	Nut	4	M10
9	0000023006	Washer	4	10
10	0000025002	Washer	4	10
11	0000028039	Split pin	11	3.2×16
12	0090000748	Pin roll	1	8×45
13	2010312002	Chain pulling rod	1	
14	0090000442	Nut	10	M16×1.5
15	0090000790	Chain LH1244×77	1	4500
	0000029245	Chain LH1244×67		3600
16	0000000011	Chain LH1234×103	2	4500
	0090000231	Chain LH1234×87		3600
17	2000312001	Chain pulling rod	4	
18	0000028014	Pin roll	4	8×40
19	0090000014	Split pin	4	3.2×30

Fig. 24 Lifting assembly (Two-stage-mast)

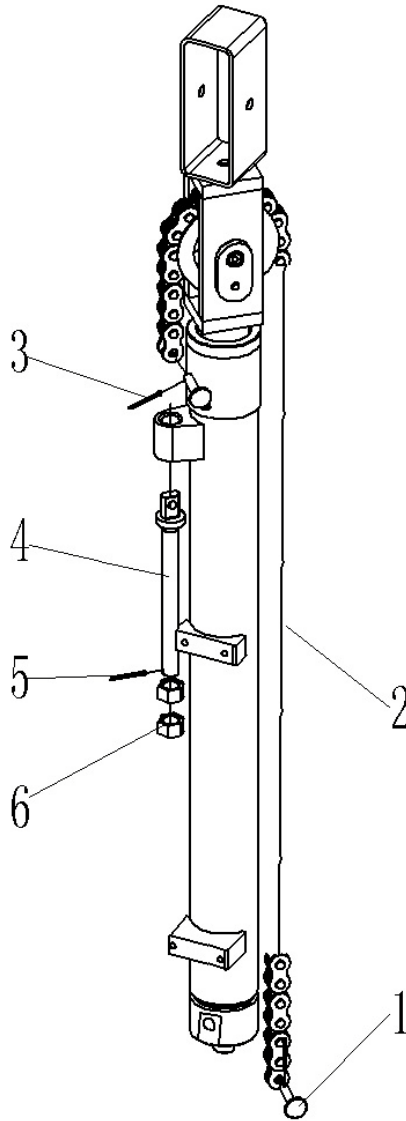


**Fig. 24 Lifting Assembly (Two-stage-mast)**

No.	Art No.	Description	Qty.	Note
1	9000014152	Cylinder fixing ring	2	
2	3008018001	Rubber bushing	2	
3	3008005001	Cylinder fixing seat	2	
4	0000023856	Bolt	2	M10×65
5	0000023006	Washer	2	10
6	0000025002	Washer	2	10
7	0090000353	Bolt	2	M12×40
8	0000024065	Nut	4	M10
9	0000023006	Washer	4	10
10	0000025002	Washer	4	1
11	0000000011	Chain	2	LH1234×103
12	2000312001	Chain pulling rod 150	4	
13	0000028014	Pin roll	4	8×40
14	0000028039	Split pin	4	3.2×16
15	0090000014	Split pin	4	3.2×30



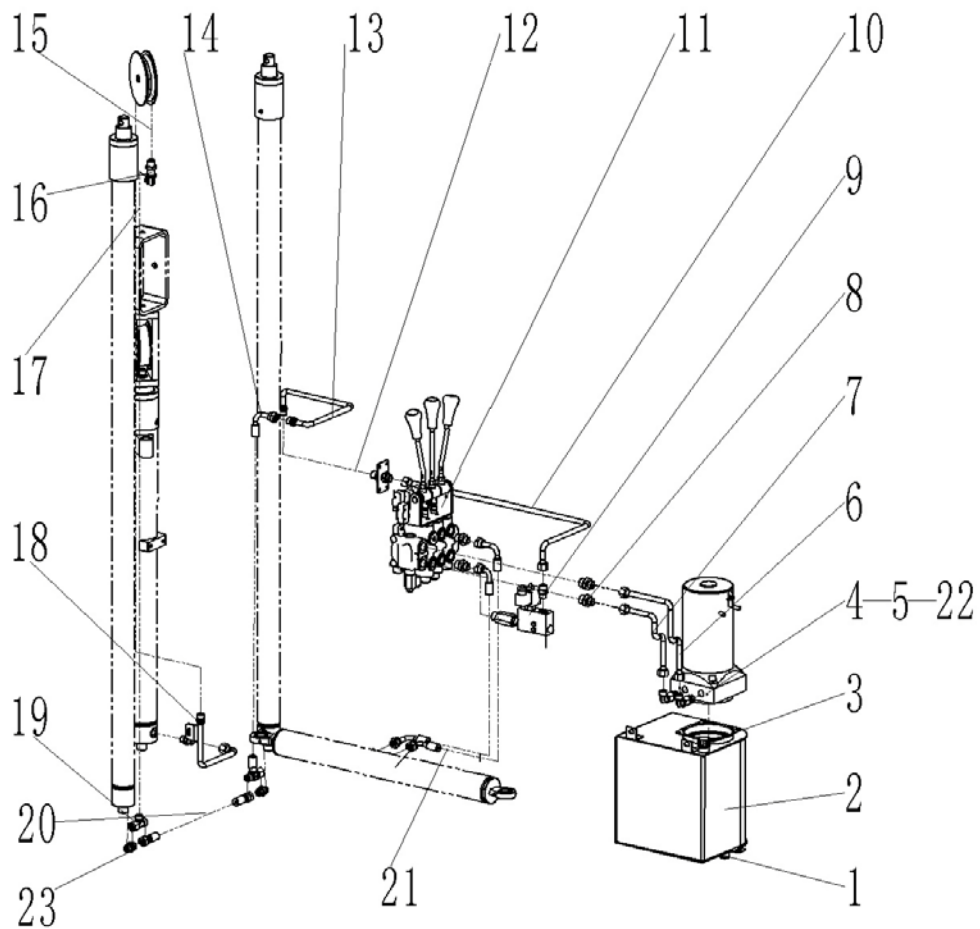
**Fig. 25 Lifting assembly (One-stage-mast)**



**Fig. 25 Lifting Assembly (One-stage-mast)**

No.	Art No.	Description	Qty.	Note
1	0090000748	Pin roll	1	8×45
2	0090000790	Chain LH1244×79	1	1600
	0090000802	Chain LH1244×83		1800
3	0090000014	Split pin	3	3.2×30
4	2010312002	Chain pulling rod	1	
5	0090000442	Nut	2	M16×1.5

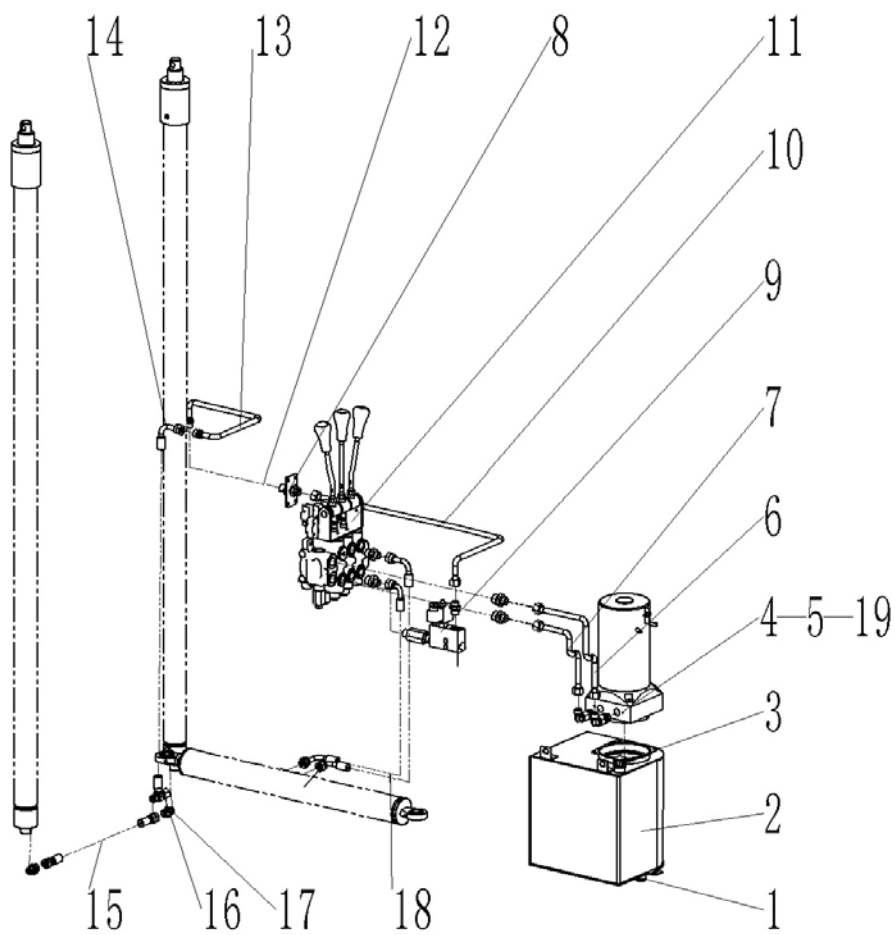
**Fig. 26 Lifting、reach forward hydraulic system  
(Three-stage-mast)**



**Fig. 26 Lifting, Reach Forward Hydraulic System (Three-stage-mast)**

No.	Art No.	Description	Qty.	Note
1	2390302010	Screw plug	1	
2	9000010501	Cylinder	1	
3	2070300006	Oil filler cap	1	
4	2910100003	Pump station	1	
5	9000010502	Joint	2	
6	9000010503	Steel pipe 1	1	
7	9000010504	Steel pipe 2	1	
8	9000010473	Joint	6	
9	4040234001	Solenoid valve	1	
10	9000010505	Steel pipe 3	1	
11	9000010506	Valve	1	
12	9000012435	Hose	1	
13	9000010508	Steel pipe 5	1	
14	9000010509	Hose	1	
15	9000010510	Hose	1	4500
	9000012516			3600
16	9000010511	Joint	1	
17	9000010512	Hose	1	4500
	9000012515			3600
18	9000010513	Steel pipe 8	1	
19	9000011334	Joint	2	
20	9000010515	Hose	1	
21	9000010516	Hose	2	
22	9000011333	Joint	2	
23	9000010514	Joint	2	

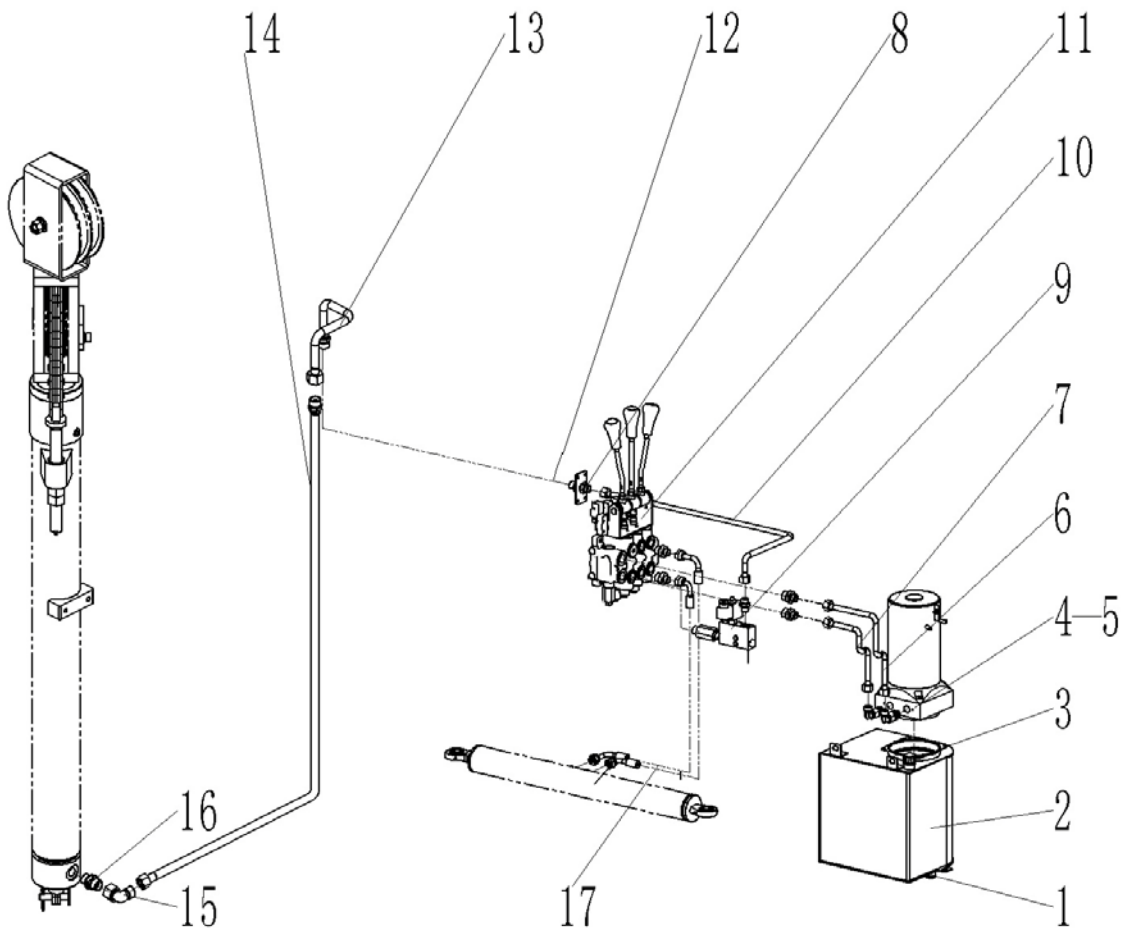
**Fig. 27 Lifting、reach forward hydraulic system  
(Two-stage-mast)**



**Fig. 27 Lifting、Reach Forward Hydraulic System (Two-stage-mast)**

No.	Art No.	Description	Qty.	Note
1	2390302010	Screw plug	1	
2	9000010501	Cylinder	1	
3	2070300006	Oil filler cap	1	
4	2910100003	Pump station	1	
5	9000010502	Joint	2	
6	9000010503	Steel pipe 1	1	
7	9000010504	Steel pipe 2	1	
8	9000010473	Joint	6	
9	4040234001	Solenoid valve	1	
10	9000010505	Steel pipe 3	1	
11	9000010506	Valve	1	
12	9000012435	Hose	1	
13	9000010508	Steel pipe 5	1	
14	9000010509	Hose	1	
15	9000010517	Hose	1	
16	9000011334	Joint	1	
17	9000010514	Joint	2	
18	9000010516	Hose	2	
19	9000011333	Joint	2	

**Fig. 28 Lifting、reach forward hydraulic system  
(One-stage-mast)**

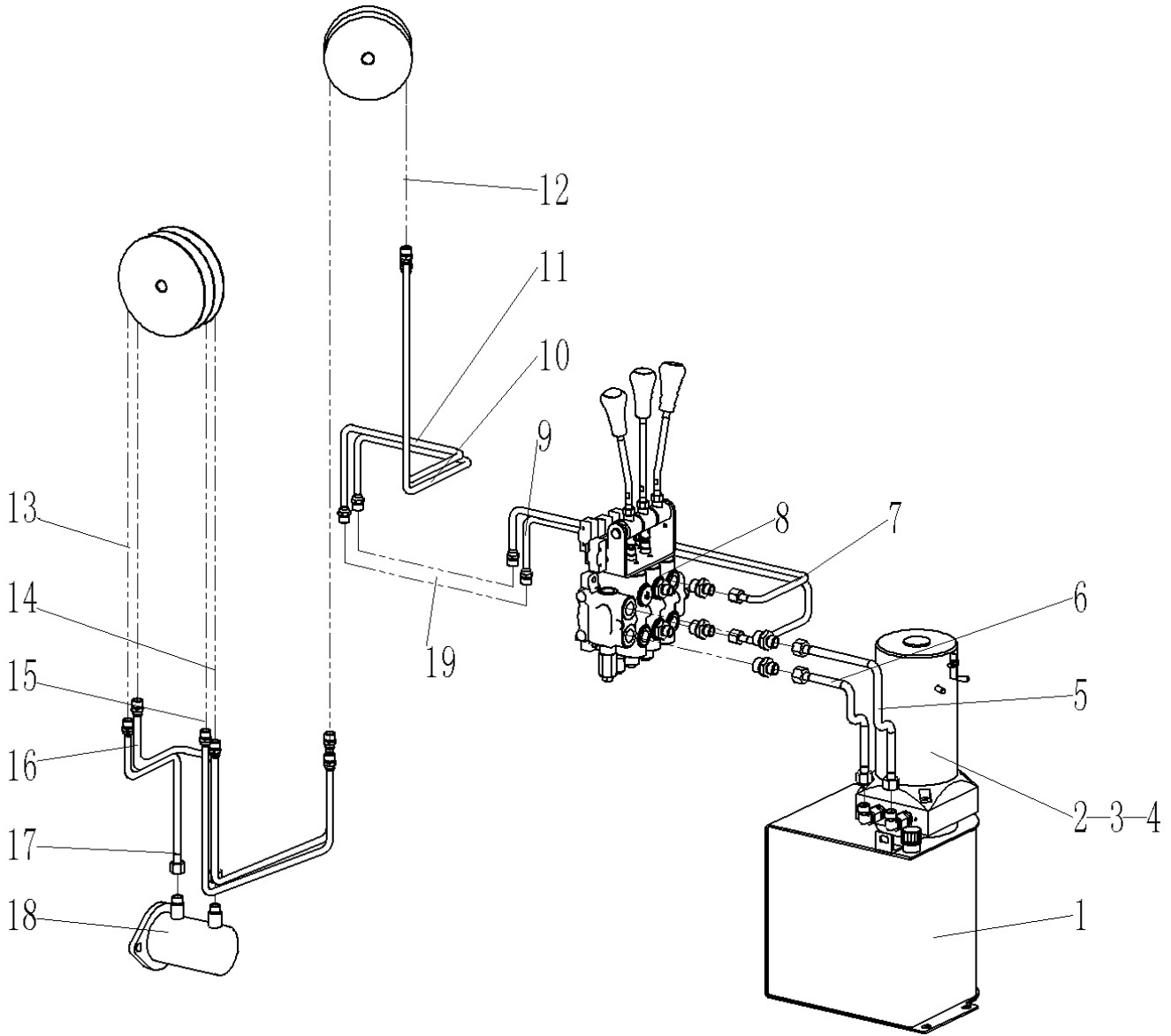


**Fig. 28 Lifting、Reach Forward Hydraulic System (One-stage-mast)**

No.	Art No.	Description	Qty.	Note
1	2390302010	Screw plug	1	
2	9000010501	Cylinder	1	
3	2070300006	Oil filler cap	1	
4	2910100003	Pump station	1	
5	9000010502	Joint	2	
6	9000010503	Steel pipe 1	1	
7	9000010504	Steel pipe 2	1	
8	9000010473	Joint	6	
9	4040234001	Solenoid valve	1	
10	9000010505	Steel pipe 3	1	
11	9000010506	Valve	1	
12	9000012435	Hose	1	
13	9000010518	Steel pipe 1	1	
14	9000010519	Steel pipe 3	1	
15	9000010514	Joint	1	
16	9000010516	Hose	2	
17	9000011333	Joint	3	



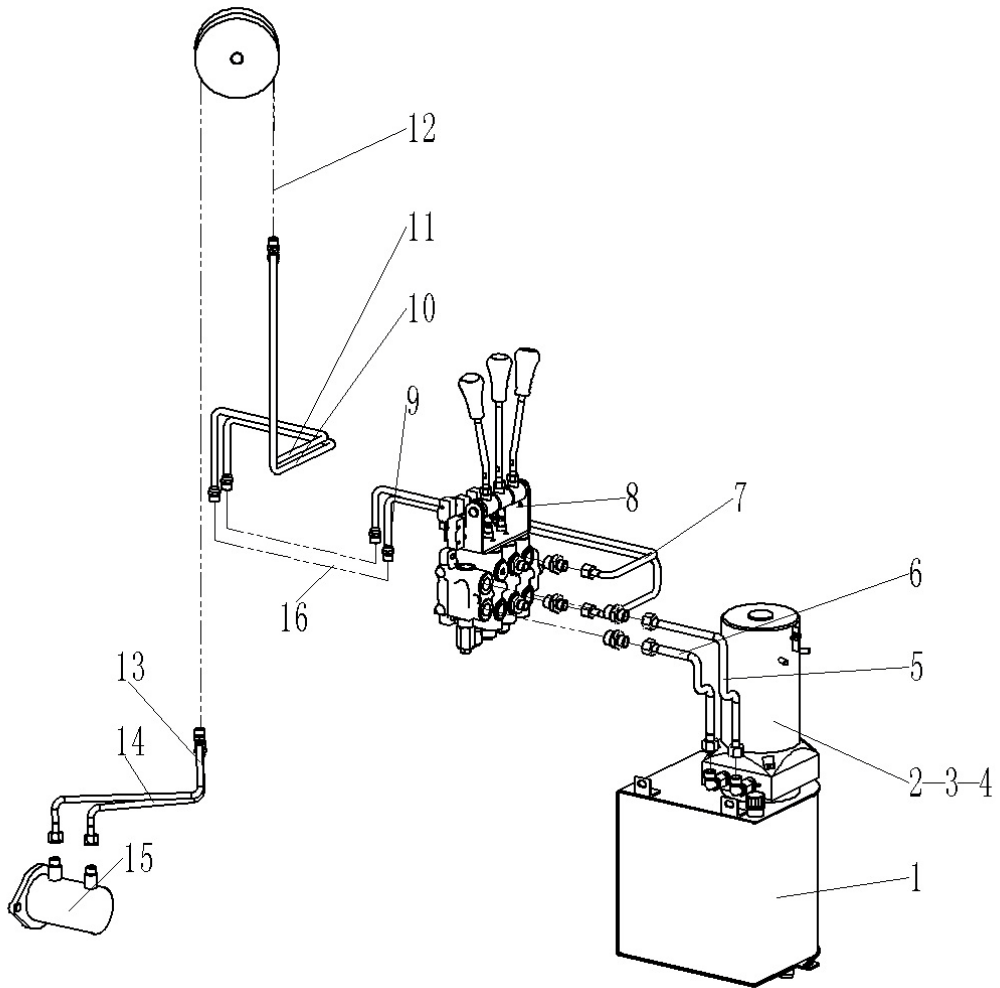
Fig. 29 Tilt hydraulic system (Three-stage-mast)



**Fig. 29 Tilt Hydraulic System (Three-stage-mast)**

No.	Art No.	Description	Qty.	Note
1	9000010520	Cylinder	1	
2	2910100003	Pump station	1	
3	9000010502	Joint	2	
4	9000011333	Steering linking joint	2	
5	9000010503	High pressure steel pipe 1	1	
6	9000010504	High pressure steel pipe 2	1	
7	9000010524	High pressure steel pipe 4	1	
8	9000010506	Valve assembly	1	
9	9000010508	High pressure steel pipe 5	1	
10	9000010522	High pressure steel pipe 7	1	
11	9000010513	High pressure steel pipe 8	1	
12	9000011991	Hydraulic hose assembly	1	4500
	9000011954			3600
13	9000011992		2	4500
	9000011955			3600
14	9000011960	Hydraulic hose assembly 11	1	
15	9000011961	Hydraulic hose assembly 12	1	
16	9000011958	Hydraulic hose assembly 9	1	
17	9000011959	Hydraulic hose assembly 10	1	
18	9000010444	Tilt cylinder assembly	1	
19	9000012436	Hydraulic hose assembly	2	

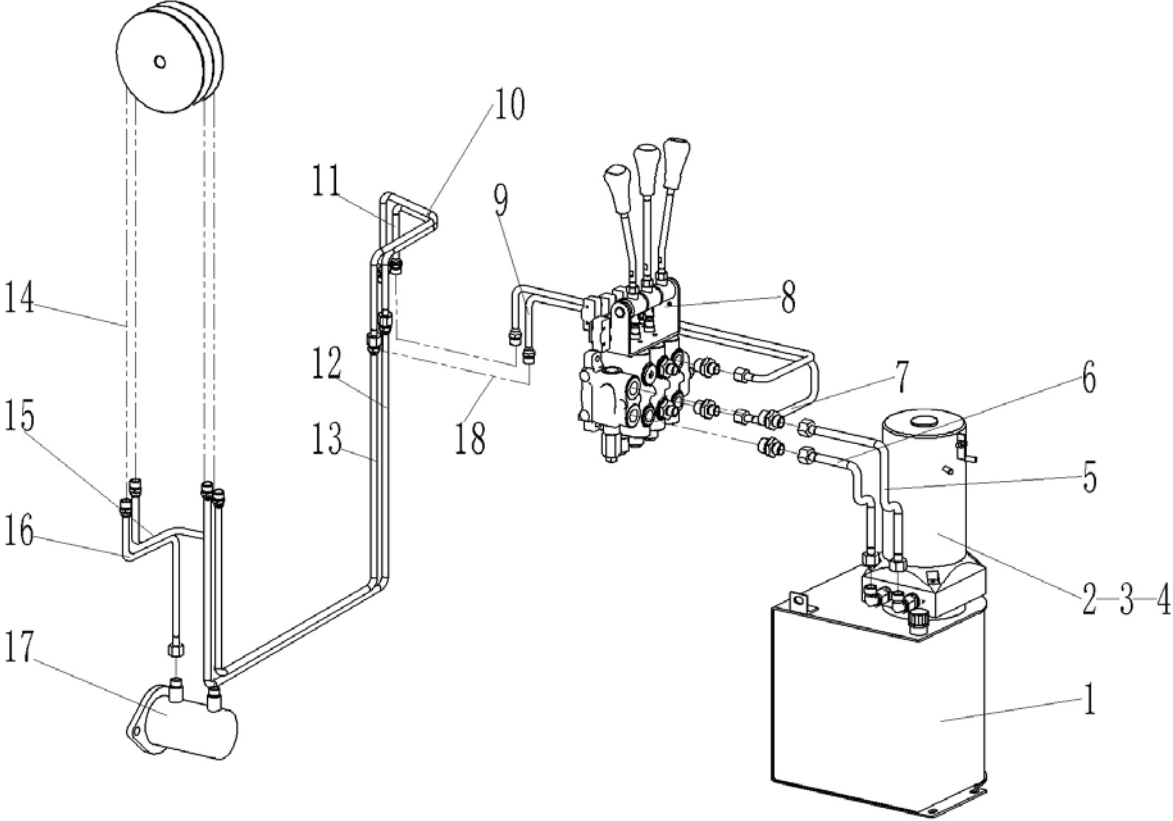
**Fig. 30 Tilt hydraulic system (Two-stage-mast)**



**Fig. 30 Tilt Hydraulic System (Two-stage-mast)**

No.	Art No.	Description	Qty.	Note
1	9000010520	Cylinder	1	
2	2910100003	Pump station	1	
3	9000010502	Joint	2	
4	9000011333	Steering linking joint	2	
5	9000010503	High pressure steel pipe 1	1	
6	9000010504	High pressure steel pipe 2	1	
7	9000010524	High pressure steel pipe 4	1	
8	9000010506	Valve assembly	1	
9	9000010508	High pressure steel pipe 5	1	
10	9000010522	High pressure steel pipe 7	1	
11	9000010513	High pressure steel pipe 8	1	
12	9000011991	Hydraulic hose assembly	2	
13	9000010525	High pressure steel pipe 1	1	
14	9000011975	High pressure steel pipe 2	1	
15	9000010444	Tilt cylinder assembly	1	
16	9000012436	Hydraulic hose assembly	2	

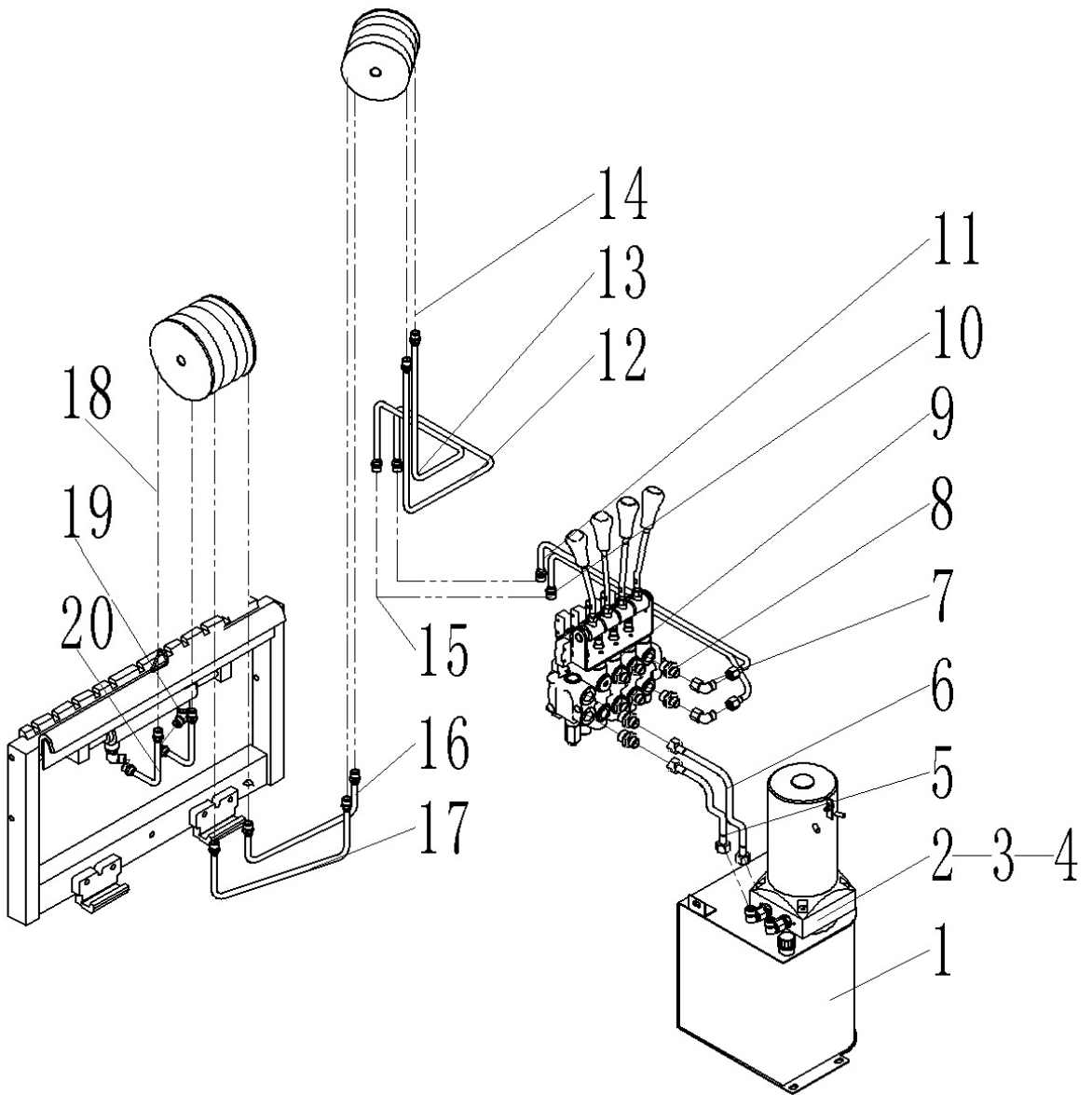
**Fig. 31 Tilt hydraulic system (One-stage-mast)**



**Fig. 31 Tilt Hydraulic System (One-stage-mast)**

No.	Art No.	Description	Qty.	Note
1	9000010520	Cylinder	1	
2	2910100003	Pump station	1	
3	9000010502	Joint	2	
4	9000011333	Steering linking joint	2	
5	9000010503	High pressure steel pipe 1	1	
6	9000010504	High pressure steel pipe 2	1	
7	9000010524	High pressure steel pipe 4	1	
8	9000010506	Valve assembly	1	
9	9000010508	High pressure steel pipe 5	1	
10	9000010526	High pressure steel pipe 2	1	
11	9000010519	High pressure steel pipe 3	1	
12	9000011335	High pressure steel pipe 4	1	
13	9000011336	High pressure steel pipe 5	1	
14	9000010527	Hydraulic hose assembly	2	
	9000012517			
15	9000011958	High pressure steel pipe 9	1	
16	9000011959	High pressure steel pipe 10	1	
17	9000010444	Tilt cylinder assembly	1	
18	9000012436	Hydraulic hose assembly	2	

Fig. 32 Sidesway hydraulic system (Three-stage-mast)

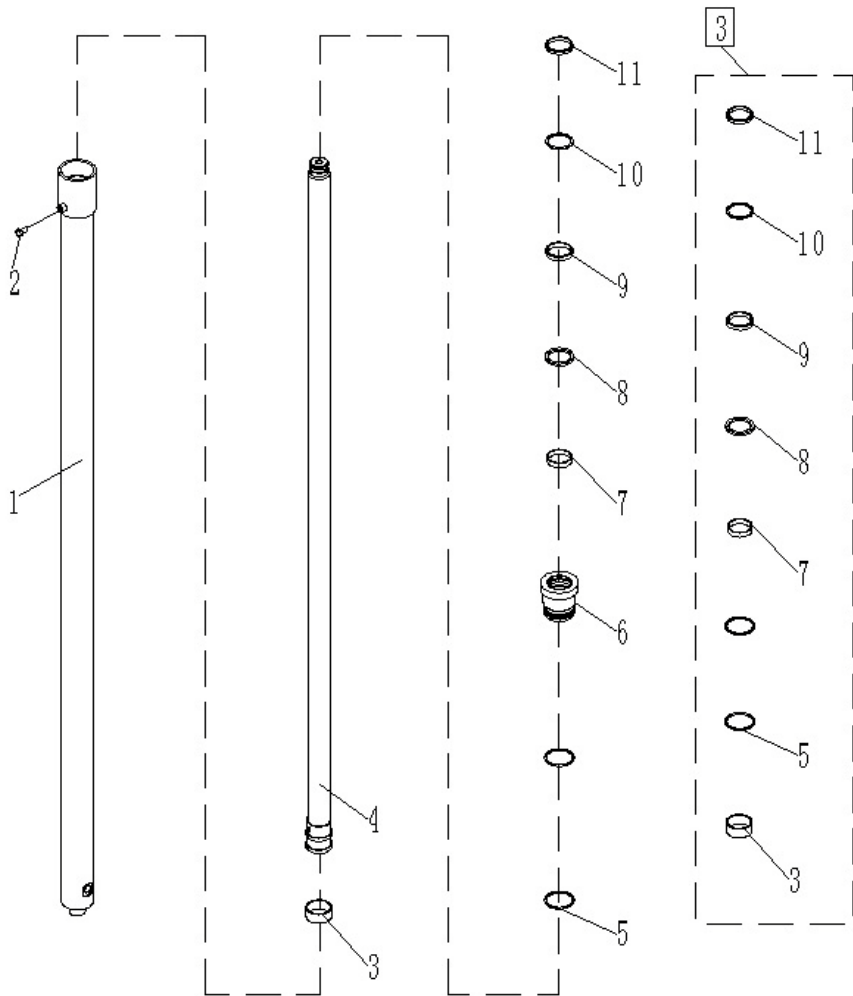


**Fig. 32 Sidesway Hydraulic System (Three-stage-mast)**

No.	Art No.	Description	Qty.	Note
1	9000010520	Cylinder	1	
2	2910100003	Pump station	1	
3	9000010502	Joint	2	
4	9000011333	Steering linking joint	2	
5	9000010503	High pressure steel pipe 1	1	
6	9000010504	High pressure steel pipe 2	1	
7	9000007838	Steering linking joint	2	
8	9000010554	Valve joint	8	
9	9000010506	Valve assembly	1	
10	9000011978	High pressure steel pipe 1	1	
11	9000011979	High pressure steel pipe 2	1	
12	9000011981	High pressure steel pipe 4	1	
13	9000010513	High pressure steel pipe 8	1	
14	9000011991	Hydraulic hose assembly	2	4500
	9000011954			3600
15	9000012436	Hydraulic hose assembly	2	
16	9000011983	High pressure steel pipe 6	1	
17	9000011986	High pressure steel pipe 9	1	
18	9000011992	Hydraulic hose assembly	2	4500
	9000011955			3600
19	9000007836	Joint	2	
20	9000011982	High pressure steel pipe 5	2	



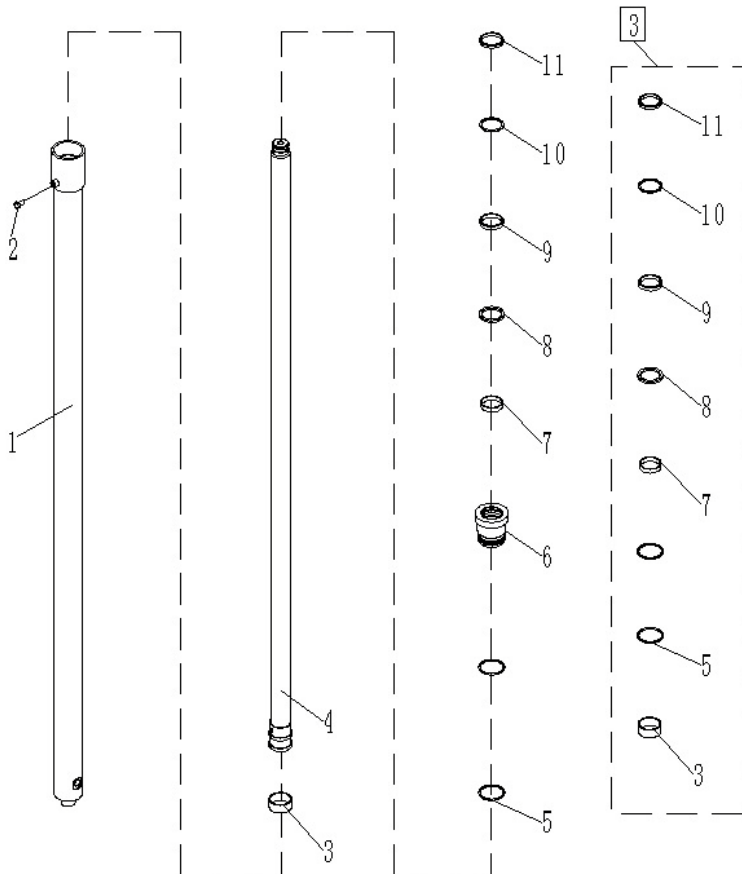
**Fig. 33 Rear lifting cylinder (Three-stage-mast)**



**Fig. 33 Rear Lifting Cylinder (Three-stage-mast)**

No.	Art No.	Description	Qty.	Note
1	9000010529	Cylinder	1	4500
	9000012518			3600
2	0090000528	Vent plug	1	M8×1
3	9000009674	Supporting ring of hole	1	43×48×20
4	9000010530	Piston rod	1	4500
	9000012519			3600
5	0000022018	O ring	2	55×3.1
6	9000010531	Cylinder cover	1	
7	9000009666	Supporting ring of axle	1	42×46×10
8	9000009665	Seal ring	1	42×52.7×4.2
9	9000009663	Y ring of axle	1	42×50×7.5/8
10	9000009664	Circlip	1	42×50×2
11	9000009661	Dust cover	1	42×50×5/6.5
③	9000012520	Rear lifting cylinder seal kit	1	4500
	9000012521			3600

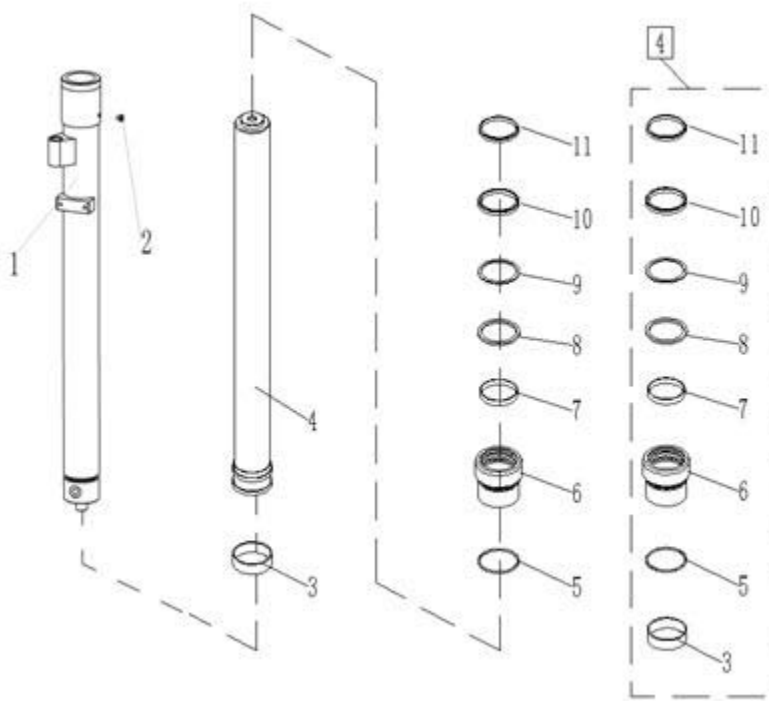
**Fig. 34 Rear lifting cylinder (Two-stage-mast)**



**Fig. 34Rear Lifting Cylinder (Two-stage-mast)**

No.	Art No.	Description	Qty.	Note
1	9000010529	Cylinder	1	
2	0090000528	Vent plug	1	M8x1
3	9000009674	Supporting ring of hole	1	43x48x20
4	9000010530	Piston rod	1	
5	0000022018	O ring	2	55x3.1
6	9000010531	Cylinder cover	1	
7	9000009666	Supporting ring of axle	1	42x46x10
8	9000009665	Seal ring	1	42x52.7x4.2
9	9000009663	Y ring of axle	1	42x50x7.5/8
10	9000009664	Circlip	1	42x50x2
11	9000009661	Dust cover	1	42x50x5/6.5
③	9000012520	Rear lifting cylinder seal kit	1	

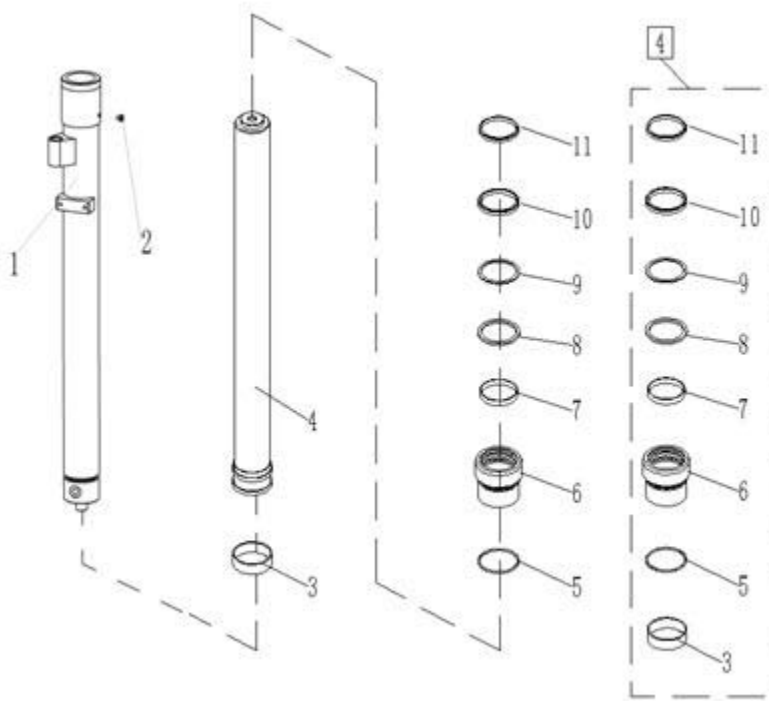
**Fig. 35 Front lifting cylinder (Three-stage-mast)**



**Fig. 35 Front Lifting Cylinder (Three-stage-mast)**

No.	Art No.	Description	Qty.	Note
1	9000010532	Cylinder	1	4500
	9000012523			3600
2	0090000528	Vent plug	1	M8×1
3	9000009704	Supporting ring of hole	1	62×67×20
4	9000010533	Piston rod	1	4500
	9000012529			3600
5	0000022070	O ring	1	70×3.1
6	9000010534	Cylinder cover	1	
7	9000009698	Supporting ring of axle	1	60×64×10
8	9000009697	Seal ring	1	60×70.7×4.2
9	9000009695	Axle sealing	1	60×70×6/7
10	9000009696	Circlip	1	60×70×2
11	9000009694	Dust cover	1	60×68×5/6.5
④	9000012522	Front lifting cylinder seal kit	1	4500
	9000012523			3600

**Fig. 36**Front lifting cylinder (One-stage-mast)

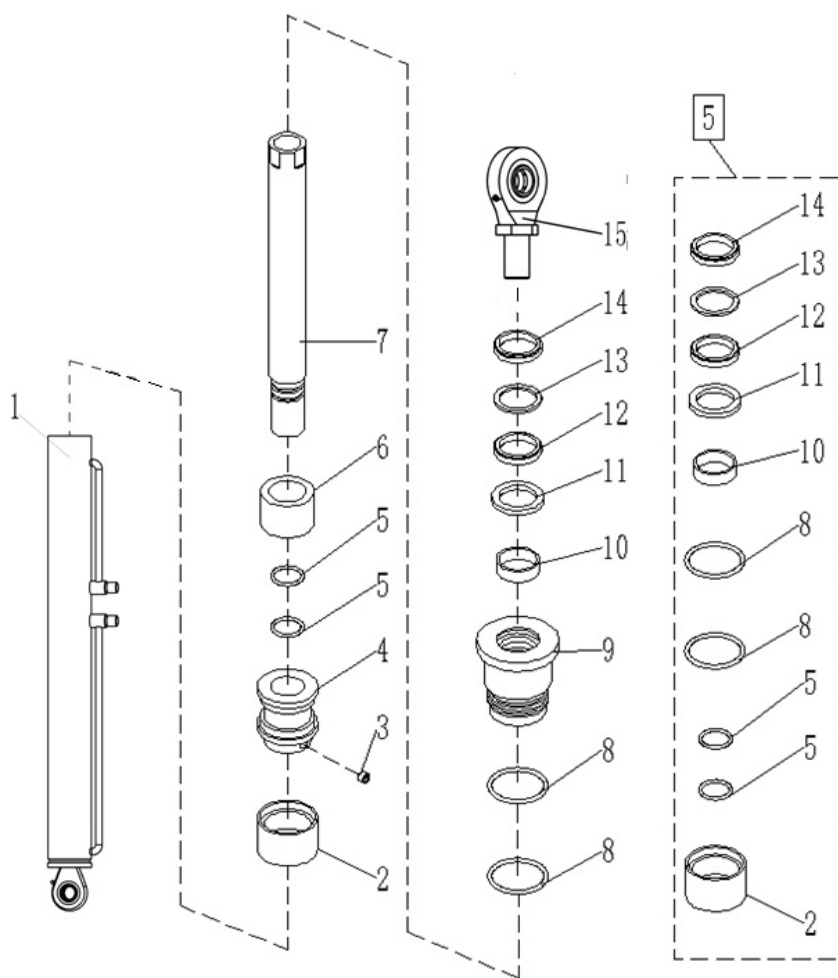


**Fig. 36 Front Lifting Cylinder (One-stage-mast)**

No.	Art No.	Description	Qty.	Note
1	9000010532	Cylinder	1	1600
	9000012528			1800
2	0090000528	Vent plug	1	M8×1
3	9000009704	Supporting ring of hole	1	62×67×20
4	9000010532	Piston rod	1	1600
	9000012531			1800
5	0000022070	O ring	1	70×3.1
6	9000010532	Cylinder cover	1	
7	9000009698	Supporting ring of axle	1	60×64×10
8	9000009697	Seal ring	1	60×70.7×4.2
9	9000009695	Axle sealing	1	60×70×6/7
10	9000009696	Circlip	1	60×70×2
11	9000009694	Dust cover	1	60×68×5/6.5
④	9000012524	Front lifting cylinder seal kit	1	1600
	9000012525			1800



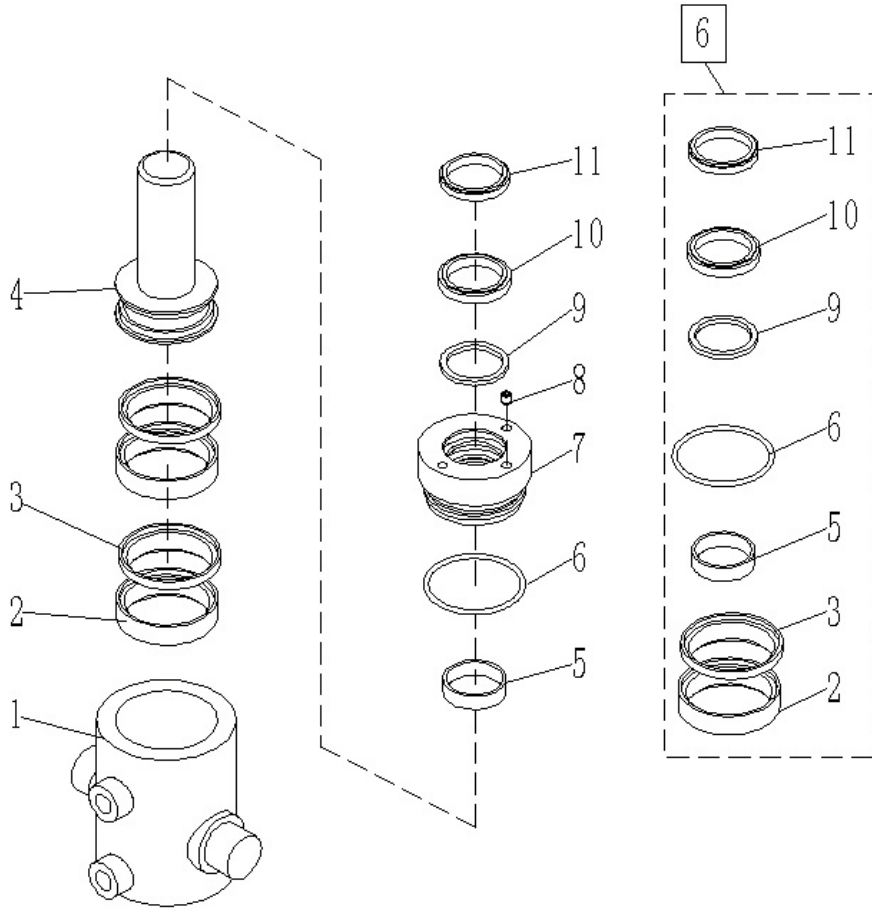
**Fig. 37 Reach forward cylinder**



**Fig. 37 Reach Forward Cylinder**

No.	Art No.	Description	Qty.	Note
1	9000012433	Reach forward cylinder barrel	1	
2	9000009716	Combination sealing	1	45×35×16.4/6.35
3	0090000529	Screw	1	M8×8
4	9000010536	Reach forward cylinder assembly 01	1	
5	0000022109	O ring	2	25×2.4
6	9000010537	Reach forward cylinder assembly 02	1	
7	9000012434	Forward cylinder rod	1	
8	0000022013	O ring	2	45×3.1
9	9000010539	Reach forward cylinder assembly 06	1	
10	9000009711	Supporting ring of axle	1	28×32×10
11	9000009710	Seal ring	1	28×38.7×4.2
12	9000009708	Axle sealing	1	28×35.5×5/5.7
13	9000009709	Circlip	1	28×35.5×2
14	9000009707	Dust cover	1	28×36×4.5/6
15	0090000624	SA20E Bearing	2	
⑤	9000012432	Reach forward cylinder seal kits	1	(Drive distance 610)

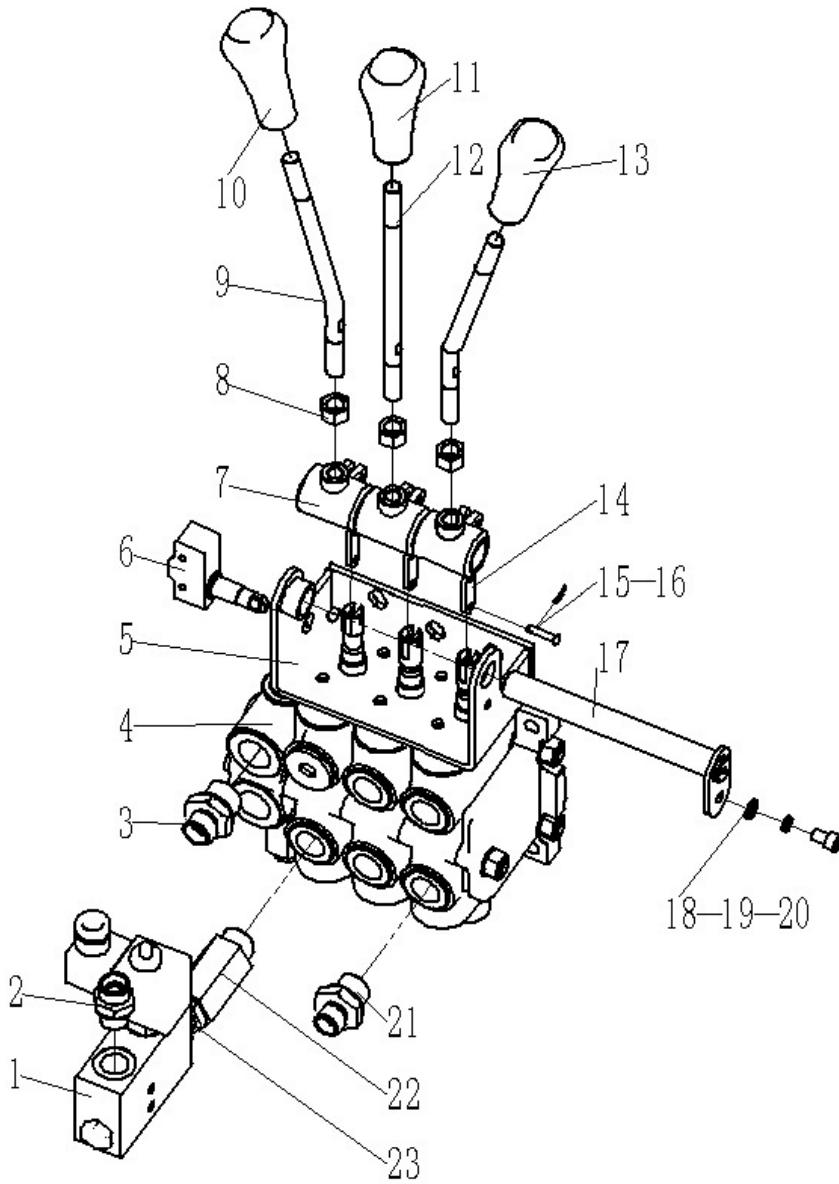
Fig. 38 Tilt cylinder



**Fig. 38 Tilt Cylinder**

No.	Art No.	Description	Qty.	Note
1	9000010540	Cylinder	1	
2	9000010041	Y ring	2	65x75x6/7
3	9000010042	Circlip	2	65x75x2
4	9000010541	Piston rod	1	
5	9000009722	Copper bushing	1	35x39x10
6	0000022025	O ring	1	75x3.1
7	9000010542	Guide sleeve	1	
8	0090000314	Screw	1	M6x8
9	9000009721	Seal ring	1	35x42.3x3.2
10	9000009719	Axle seal	1	35x45x6/7
11	9000009718	Dust cover	1	35x43x5/6.5
⑥	9000010444	Tilt cylinder seal kit	1	

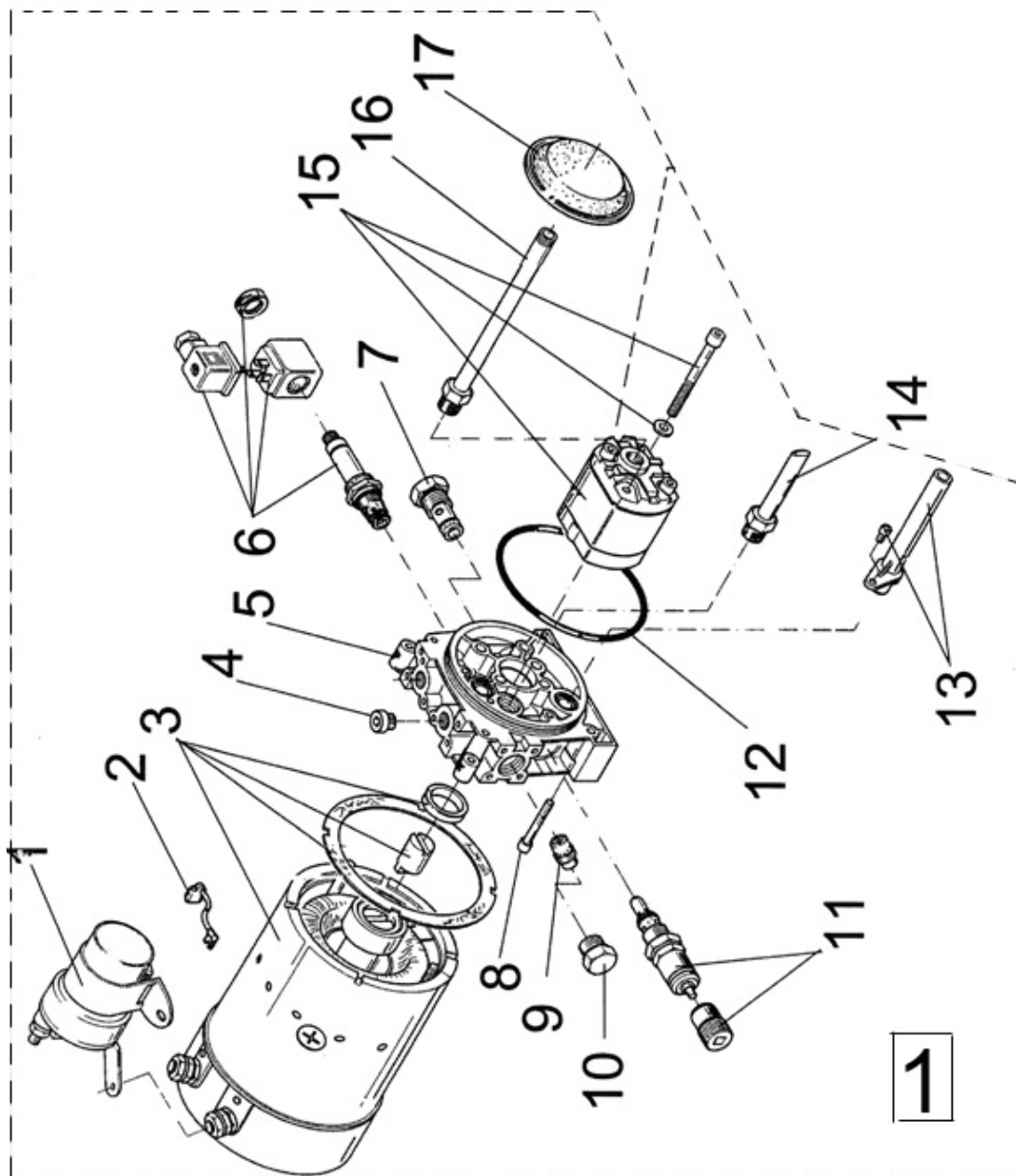
Fig. 39 Valve



**Fig. 39 Valve**

No.	Art No.	Description	Qty.	Note
1	2090300007	Valve	1	
2	9000010555	Joint	1	
3	9000010543	Joint	2	
4	9000010544	Control valve	1	
5	9000010545	Valve assembly frame	1	
6	3002434003	Micro switch	4	RZ-15GQ22-B3
7	9000010546	Handle seat	3	
8	0000024065	Nut	3	M10
9	9000010547	Valve control lever 1	2	
10	9000010548	Lifting handle head	1	
11	9000010549	Reach forward handle head	1	
12	9000010550	Valve control lever 2	1	
13	9000010551	Tilt lever head	1	
14	9000010552	Lift slice	3	
15	0000007008	Short axle	6	4×18
16	0000028090	Split pin	6	1.6×8
17	9000010553	Valve short axle	1	
18	0000023042	Screw	1	M6×10
19	0000023055	Washer	1	6
20	0000025010	Washer	1	6
21	9000010554	Valve AB joint	6	
22	9000011957	Joint	1	
23	9000011956	joint	1	

Fig. 40 Pump system

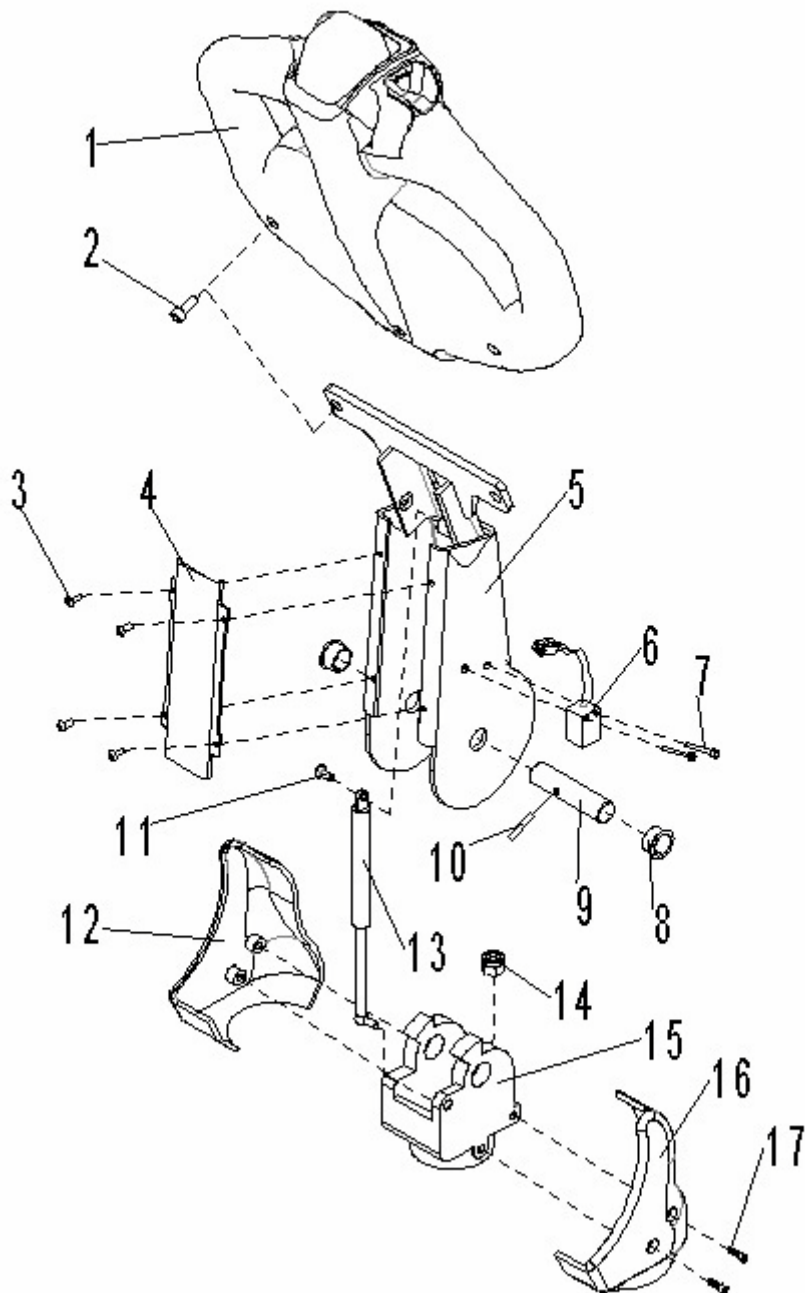


**Fig. 40 Pump System**

No.	Art No.	Description	Qty.	Note
1	2040334001	Pump contactor	1	
2	9000003582	Carbon brush(assembly)	1	
3	9000003583	Motor	1	
4	2000323001	Plug	1	
5	2000300002	Valve body	1	
6	2000335003	Solenoid valve	1	
7	2000335004	Check valve	1	
8	2000323002	Screw	4	
9	9000008870	Flow control valve	1	7.5L/min
10	2000323003	Bolt	1	
11	2040315003	Overflow valve	1	
12	2000322004	O ring	1	
13	2000317008	Oil return pipe	1	
14	2040317008	Oil return pipe	1	
15	9000008874	Gear pump 3.2cc/r	1	
16	9000008873	Oil suction pipe	1	L=250.50mm
17	2000300004	Filter	1	
1	9000008867	DC power unit	1	24V 3kW



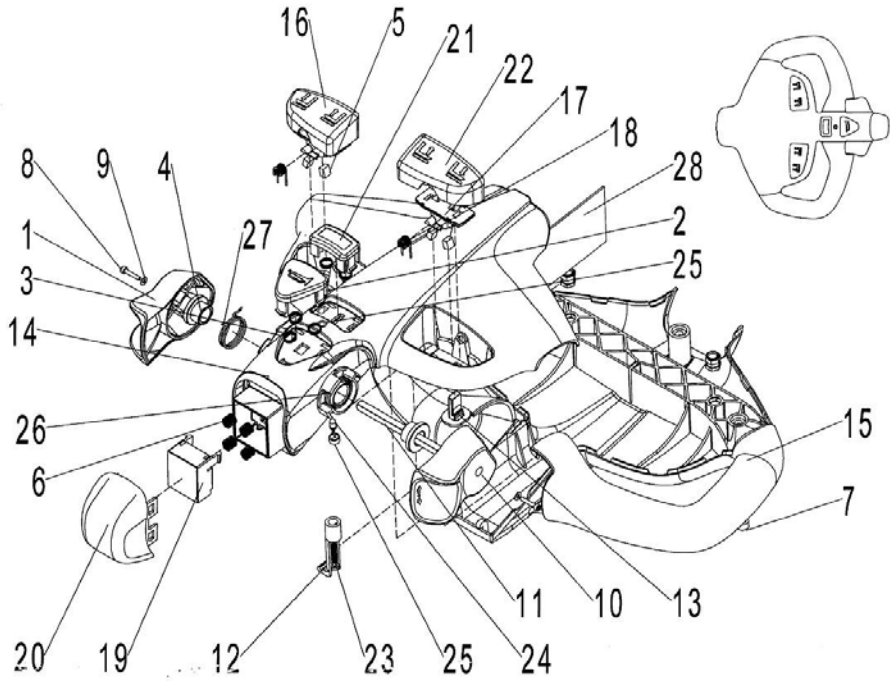
Fig. 41 Handle arm assembly



**Fig. 41 Handle Arm Assembly**

No.	Art No.	Description	Qty.	Note
1	1100100001	Canbus control tiller C	1	
2	0000023232	Bolt	2	M8x25
3	1000123003	Screw	4	M4x8
4	9000007926	<u>Cover board</u>	1	
5	9000007925	Welded tiller arm	1	
6	9000008327	Proximity switch NBN5-F7-E2	1	
7	0000023075	Screw	2	M3x20
8	1000113001	Shoulder harness	2	17x19x11
9	9000007928	Tiller axle	1	
10	0000028003	Elastic roll pin	1	4x24
11	1000123001	Screw	1	M8x20
12	9000007930	Left tiller cover	1	
13	1010121001	Air spring	1	400N <del>55</del>
14	0000023005	Lock nut	2	M10
15	9000007929	Tiller seat	1	
16	9000007931	Right tiller cover	1	
17	0000023519	Screw	4	M6x10

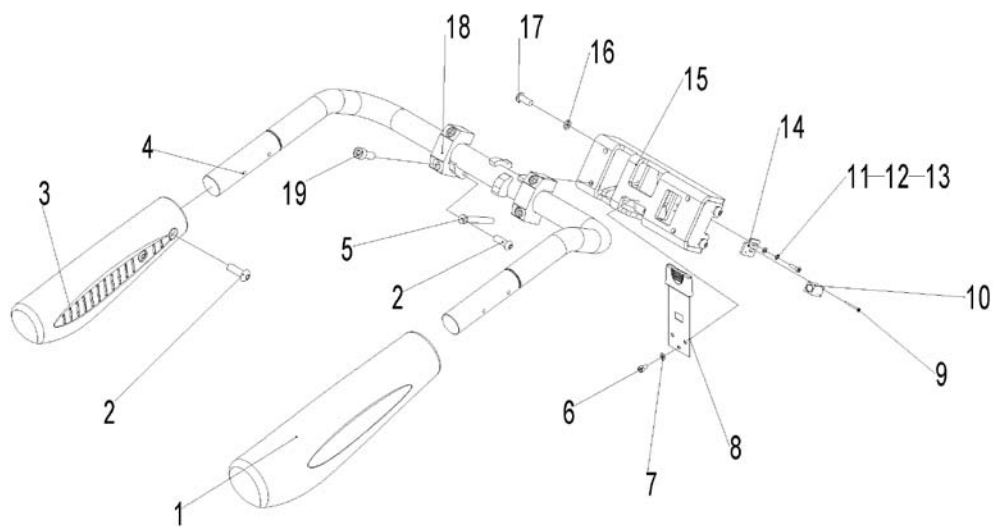
Fig. 42 Handle head



**Fig. 42 Handle Head**

No.	Art No.	Description	Qty.	Note
1	1000114014	Left driving button	1	
2	1000114015	Horn button	1	
3	1000131009	Horn button spring	5	
4	1000113004	Camshaft bushing	2	
5	1000137001	Magnet	4	▲
6	1000131010	Spring of urgent reversing switch	4	
7	0000023058	Screw	3	
8	0000023057	Screw	2	
9	0000025017	Washer	2	
10	1000114016	Right driving button	1	
11	1000107002	Driving button axle	1	
12	1000137002	PCB board circlip	1	
13	1000134005	Load censor	2	
14	1000103012	Handle	1	
15	1000103013	Handle	1	
16	1000114017	Left button	1	
17	1000137003	Magnet seat	2	
18	1000131011	Spring	2	
19	1000114018	Seat of urgent reversing button spring	1	
20	1000114020	Cover of urgent reversing button spring	1	
21	1000114021	Option switch cover	1	
22	1000114022	Right button	1	
23	0000023060	Screw	1	
24	1000134006	LED bi-color light	1	
25	1000103014	Seat of LED bi-color	1	
26	1000131012	Torsional spring for right driving button	1	
27	1000131013	Torsional spring for left driving button	1	
28	1000134007	PCB	1	

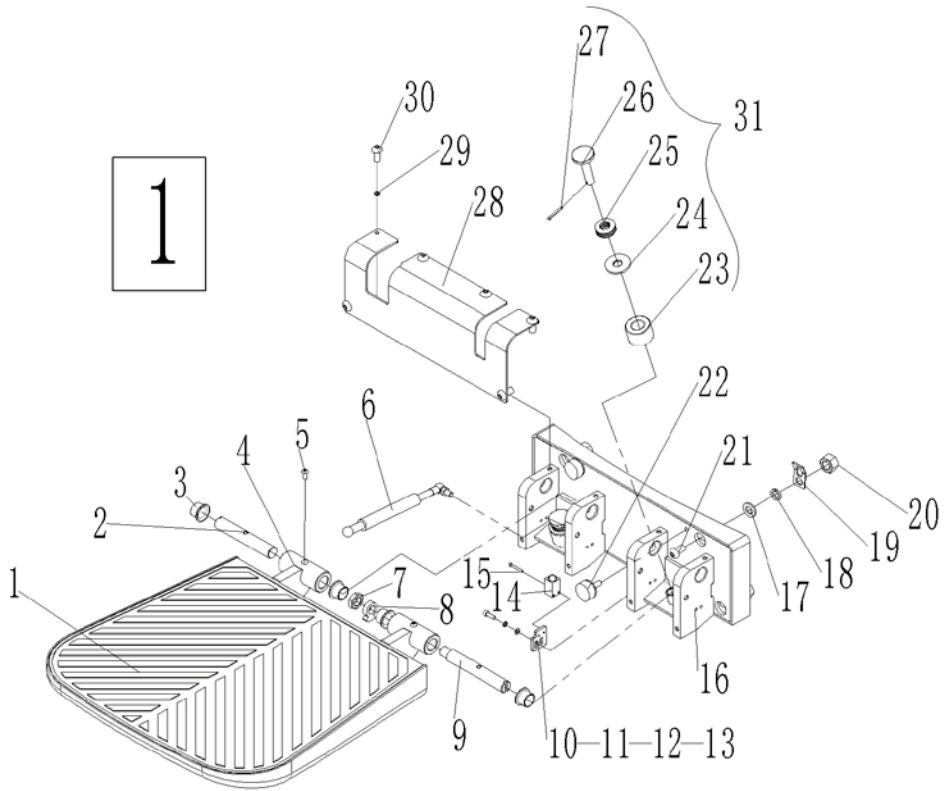
**Fig. 43 Protective arm**



**Fig. 43 Protective Arm**

No.	Art No.	Description	Qty.	Note
1	9000007895	Right protective arm cover	1	
2	0090000448	Screw	5	M8×20
3	9000007896	Left protective arm cover	1	
4	9000007894	Protective arm	1	
5	9000007780	Air spring	1	
6	0000023045	Screw	3	M6×12
7	0000025010	Washer	3	6
8	9000007897	Positioning spring	1	
9	0000023075	Screw	2	M3×20
10	9000008329	Proximity switch	1	NBN5-F7-E5
11	0000025012	Washer	2	5
12	0000023032	Washer	2	5
13	0000023107	Screw	2	M5×16
14	9000009799	Switch transition plate	1	
15	9000007892	Protective arm seat	1	
16	0000023006	Washer	4	10
17	0090000447	Screw	4	M10×25
18	9000007893	Protective arm clamp block	2	
19	0000023099	Screw	4	M10×45

**Fig. 44 Foldable platform**



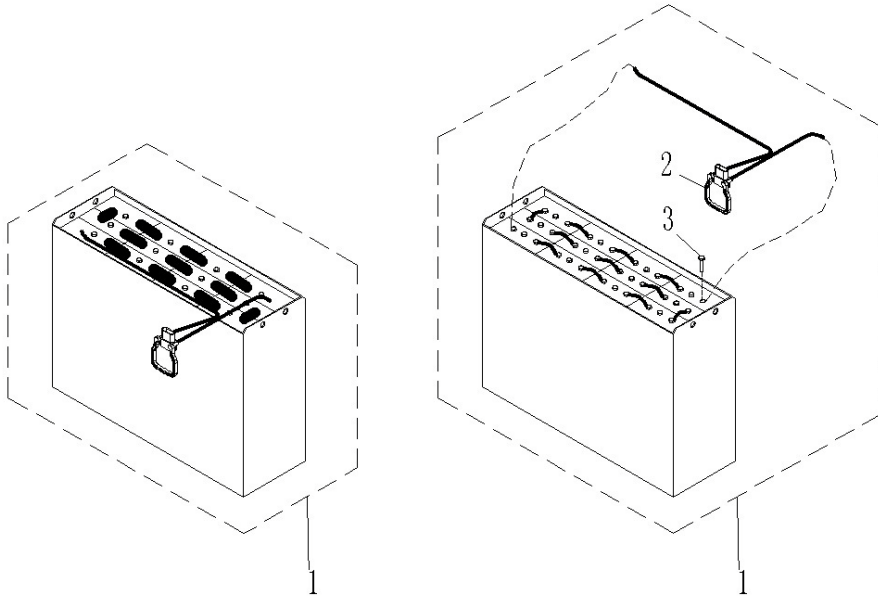
**Fig. 44 Foldable Platform**

No.	Art No.	Description	Qty.	Note
1	9000007867	Pedal pad	1	
2	9000007869	Rotating axle	1	
3	9000007799	Shoulder harness	4	Φ20×23×16.5
4	9000007863	Foot platform	1	
5	0000023555	Screw	2	M6×16
6	2000421001	Air spring	1	
7	0000024014	Nut	1	M16×1.5
8	9000007873	Cam	1	
9	9000007866	Camshaft	1	
10	0000025012	Washer	2	5
11	0000023032	Washer	2	5
12	0000023107	Screw	2	M5×16
13	9000009799	Switch transition plate	1	
14	9000008328	Proximity switch	1	NBN5-F7-E2
15	0000023075	Screw	2	M3×20
16	9000007864	Assembly seat	1	
17	0090000048	Washer	4	12
18	0000025024	Washer	4	12
19	9000007874	Line hanging board	1	
20	0000024006	Lock nut	4	M12
21	0090000450	Screw	4	M12×45
22	9000007865	Cushion	2	
23	9000007872	Anti-vibration pad	2	
24	9000007871	Anti-vibration washer	2	
25	0000031001	Spring	8	Φ16.3×31.5×1.75
26	9000007870	Bolt	2	



27	0000028033	Split pin	2	Φ3.2×20
28	9000007868	Assembly seat	1	
29	0000025010	Washer	6	6
30	0000023045	Screw	6	M6×12
31	9000008897	Suspension assembly	2	
□	9000007862	Platform	1	

**Fig. 45 Battery**



**Fig. 45 Battery**

No.	Art No.	Description	Qty.	Note
1	9000009830	Battery	1	24V400Ah
	9000012533			24V270Ah
2	9000003987	Connector	1	Only for bolt type battery
3	9000009832	Screw	24	Only for bolt type battery

### Easy worn parts list

No	Art No.	Description	Qty	Fig./Position	Note
1	9000010442	Fork axle	1	Fig.6/6	Pallet frame
	9000012501				
	9000012504				
2	9000003623	JFB bearing 3540	4	Fig.6/9	
3	9000010442	Fork axle	1	Fig.7/6	Pallet frame(sideway)
4	9000003623	JFB bearing 3540	4	Fig.7/9	
5	0000027056	Bearing 6208	2	Fig.8/1	Load roller
6	2090416001	Front castor	1	Fig.8/2	
7	9000010447	Load roller	2	Fig.8/1	
8	0000027013	Bearing	4	Fig.9/3	Steering wheel assembly
9	2000413001	Bushing	4	Fig.9/4	
10	2000413002	Sleeve	4	Fig.9/9	
11	0000027001	Bearing	4	Fig.9/11	
12	2020416001	Castor	8	Fig.9/12	
13	9000003638	Castor assembly	2	Fig.9/13	
14	9000000410	Bearing	4	Fig.10/1	Mast (Three-stage-mast)
15	9000000364	Side bearing	4	Fig.10/3	
16	9000000404	Chain wheel bearing	3	Fig.10/34	
17	9000000364	Bearing	4	Fig.11/1	Mast (Two-stage-mast)
18	9000000404	Side bearing	4	Fig.11/3	
19	9000000364	Chain wheel bearing	3	Fig.11/34	
20	9000000404	Bearing	4	Fig.12/1	Mast (One-stage-mast)
21	9000000364	Side bearing	4	Fig.12/3	

22	9000000404	Chain wheel bearing	3	Fig.12/14	
23	9000010462	Hinge	2	Fig.13/4	Battery cover
24	9000010480	Bearing	4	Fig.16/28	Drive system
25	1000434040	Fuse 10A	1	Fig.19/5	Controller assembly
26	2210434004	Fuse 150A	1	Fig.19/13	
27	9000007806	Damper	1	Fig.22/7	Electrical steering components
28	9000007424	Linking block	1	Fig.22/13	
29	9000012520	Rear lifting cylinder seal kit	1	Fig.33/ [3]	Three-stage-mast 4500
	9000012521				Three-stage-mast 3600
30	9000012520	Rear lifting cylinder seal kit	1	Fig.34/ [3]	Rear lifting cylinder (Two-stage-mast)
31	9000012522	Front lifting cylinder seal kit	1	Fig.35/ [4]	Three-stage-mast 4500
	9000012523				Three-stage-mast 3600
32	9000012524	Front lifting cylinder seal kit	1	Fig.36/ [4]	One-stage-mast1600
	9000012525				One-stage-mast1800
33	9000012432	Reach forward cylinder seal kit	1	Fig.37/ [5]	Reach forward cylinder
34	1000113001	Tilt cylinder seal kit	1	Fig.38/ [6]	Tilt cylinder
35	1010121001	Bushing 17×19×11	2	Fig.41/8	Handle arm assembly
36	9000007780	Air spring (S≥55)	1	Fig.41/13	
37	9000007780	Air spring	1	Fig.43/5	Protective arm
38	9000007897	Positioning spring	1	Fig.43/8	

39	9000007799	Bushing	4	Fig.44/3	Foldable platform
40	2000421001	Air spring	1	Fig.44/6	
41	9000008897	Suspension assembly	2	Fig.44/31	
42	9000003987	Connector	1	Fig.45/2	Battery
43	9000009832	Screw	24	Fig.45/3	