

We promise, We deliver

### Noblelift Headquarters

Add:#528 Changzhou Road, Taihu  
Sub-district, Changxing, 313100, China  
TEL: +86 572 6210311/6120989  
FAX: +86 572 6129336  
WEB: www.noblelift.com  
Email: info@noblelift.com



Official website



Our Wechat

### Noblelift North America Corp.

Add:2461 S Wolf Road, Des Plaines, IL 60018  
Tel:847-595-7100  
Fax:847-595-7200  
Email:sales@nobleliftna.com  
Http: www.nobleliftna.com

### Noblelift Europe GmbH

Add:Borsigstrasse 9d-93092 Barbing  
Germany  
TEL:+49 9401 607930  
FAX:+49 9401 6079329  
WEB:www.noblelifteuopr.com  
Email: mail@noblelifteurope.com

### Noblelift Russia

ООО "Ноблелифт Рус"  
194292, Санкт-Петербург  
Домостроительная ул. 4А офис 301  
Бизнес-центр "Парнас"  
тел.: +7 (800) 700-28-97  
Email: sales@noblelift.com.ru



**1.5T**  
**PSE15-C**

**Economic  
Ride-on Electric Stacker**

## PSE15-C



**NEW** *Noblelift Products*  
**ARRIVAL**



# PSE15-C Economic Ride-on Electric Stacker

PSE15-C is a ride-on economic electric stacker that is suitable for horizontal and short distance cargo transportation. PSE15-C is a combination of walking and standing stacker, load capacity up to 1500kg. The stacker is powerful, reliable, easy installation and easy maintenance. It is suitable for loading and unloading goods in factories, warehouses, supermarkets and other places.

## Ergonomic intelligent tiller

The ergonomic tiller can be easily operated, optimize the comfort of operators. All the switch buttons are integrated in the humanized touch position for easy operation. (integrated pin-code access, hour meter, power display, fault code display, turtle speed function)



**Built-in charger**  
The built-in charger gives higher autonomy during the application.



**Emergency power off switch**  
The emergency power-off switch ensures the safety of driving.



**Foldable platform**  
It has good shock absorption effect, comfortable operation and not easy to fatigue. The arm guard can be rotated for safer operation.



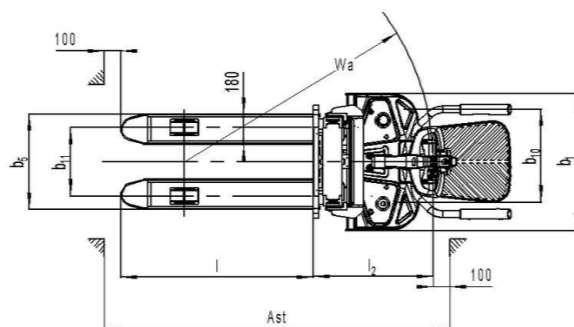
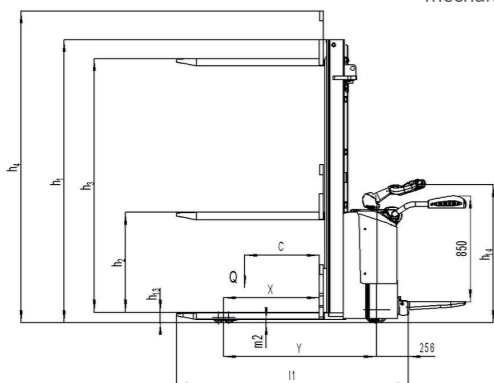
**Stability caster**  
The stability caster can be adjusted conveniently without lifting the truck.



**Easily disassembled**  
The solid chassis with 8mm protective apron can effectively protect the body and internal parts from external mechanical impact.



**Function application**  
The whole vehicle system adopts analog circuit control, which eliminates redundant and fancy functions and strengthens the necessary safety functions. Besides, it mainly focuses on the main action functions. The fault point is lowered, the circuit is simplified and the maintenance is simple.



PSE(PSE15-C)					
Designation	Lowered mast height h1(mm)	Free Lift height h2(mm)	Lift height h3(mm)	Extended mast height h4(mm)	Lift+fork height h3+h13(mm)
one stage mast	1600	1978	1510	1515	1660
	2000	2378	1910	1915	2000
Two stage mast	2900	1930	78	2815	2900
	3200	2080	78	3115	3200
	3600	2280	78	3515	3600

## Type sheet for industrial truck acc. to VDI 2198

Distinguishing mark					
1.2	Manufacturer's type designation			PSE(PSE15-C) 3600	
1.3	Drive			Battery	
1.4	Operator type			Pedestrian	
1.5	Load capacity / rated load		Q (t)	1.5	
1.6	Load center distance		c (mm)	600	
1.8	Load distance, centre of drive axle to fork		x (mm)	770	
1.9	Wheelbase		y (mm)	1232	
Weight					
2.1	Service weight		kg	865	
2.2	Axle loading, laden front/rear		kg	830/1535	
2.3	Axle loading, unladen front/ rear		kg	663/202	
Tyres, Chassis					
3.1	Tires			Polyurethane (PU)	
3.2	Tire size, front	Øxw (mm)		Ø 210×70	
3.3	Tire size, rear	Øxw (mm)		Ø 230×100	
3.4	Additional wheels(dimensions)	Øxw (mm)		Ø 230×100	
3.5	Wheels, number front/ rear(x=driven wheels)			1x+1/4	
3.6	Tread, front	b10 (mm)		557	
3.7	Tread, rear	b11 (mm)		410/525	
Dimensions					
4.2	Lowered mast height		h1 (mm)	2280	
4.3	Free Lift height		h2 (mm)	78	
4.4	lift		h3 (mm)	3515	
4.5	Extended maximal height		h4 (mm)	4005	
4.9	Height of tiller in drive position min./max.		h14 (mm)	1100/1360	
4.15	Height, lowered		h13 (mm)	85	
4.19	Overall length		l1 (mm)	1867	
4.20	Length to face of forks		l2 (mm)	717	
4.21	Overall width		b1 (mm)	820	
4.22	Fork dimensions	s/e/l (mm)		60/180/1150	
4.25	Width across forks	b5 (mm)		570/685	
4.32	Ground clearance, centre of wheelbase min./max.	m2 (mm)		25	
4.33	Aisle width for pallets 1000x1200 crossways	Ast (mm)		2330	
4.34	Aisle width for pallets 800x1200 lengthwise	Ast (mm)		2275	
4.35	Turning radius	Wa (mm)		1487	
Performance data					
5.1	Travel speed, laden/ unladen		km/h	4.0/4.2	
5.2	Lift speed, laden/ unladen		m/s	0.068/0.162	
5.3	Lowering speed, laden/ unladen		m/s	0.142/0.136	
5.8	Max. gradeability, laden/ unladen		%	5/10	
5.10	Service brake			Electromagnetic	
Electric- motor					
6.1	Drive motor rating S2 60min		kW	0.75	
6.2	Lift motor rating at S3 7.5%		kW	2.2	
6.3	Battery acc. to DIN 43531/ 35/ 36 A, B, C, no			No	
6.4	Battery voltage, nominal capacity K5		V / Ah	2x12/106	
6.5	Battery weight		kg	2x34	
6.6	Energy consumption acc. to VDI cycle		kWh/h	0.70	
Additional data					
8.1	Type of drive control			DC- Speed Control	
8.4	Sound level at driver's ear acc. to EN 12053		dB(A)	<70	