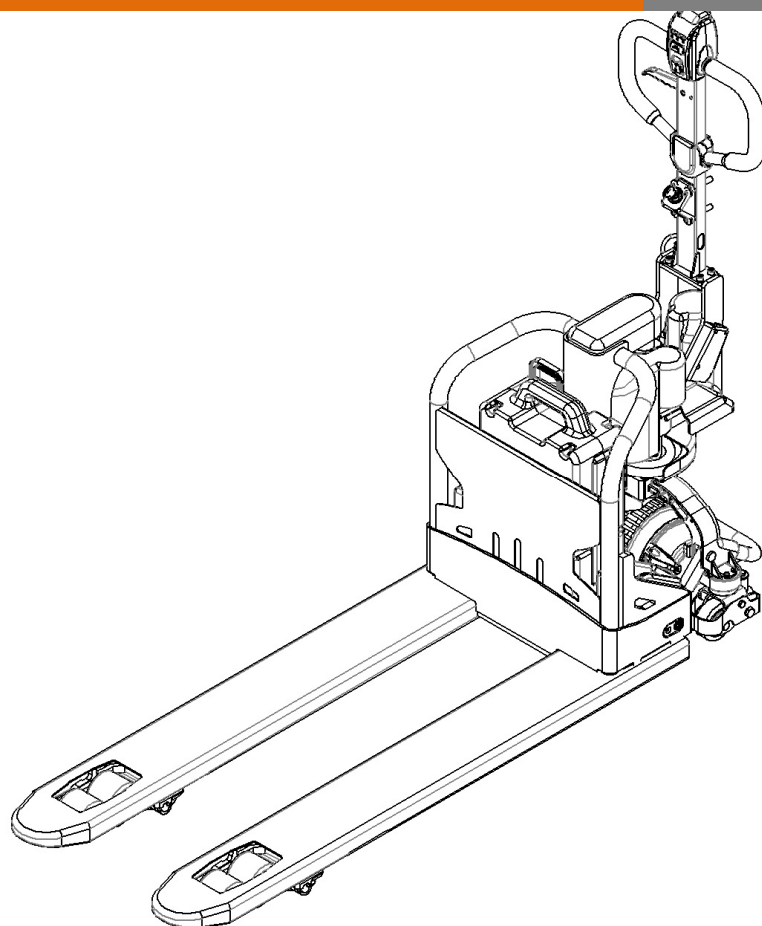


# SPARE PARTS LIST

## Electric Pallet Truck PT E12



Version 09/2015

From truck identification number:

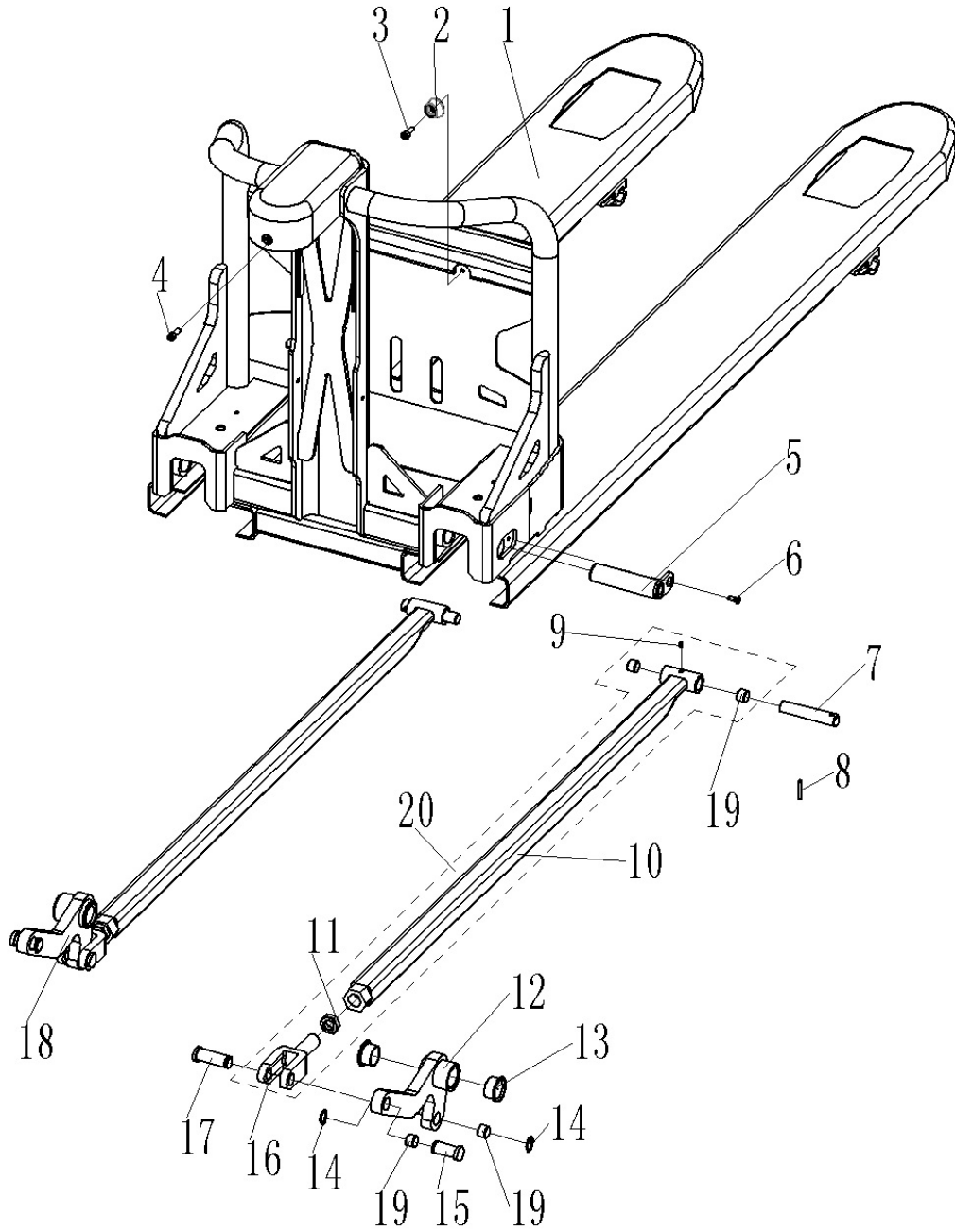
20150300001

PT E12-BPT-002-EN

# Catalogue

Fig.1 Spare parts for frame .....	3
Fig. 2 Load roller .....	5
Fig. 3 Drive system .....	7
Fig.4.1 Drive wheel .....	9
Fig.4.2 Drive wheel (Amer) .....	11
Fig. 5 Hydraulic parts .....	12
Fig. 6 Castors.....	14
Fig. 7 Handle bar .....	16
Fig. 8 Handle head.....	18
Fig. 9 Truck parts.....	20
Fig. 10 Power supply assembly .....	21
Fig. 11 Electronic control assembly .....	22
Fig. 12 Main cables.....	24
Fig. 13 Sticker for EU .....	25
Fig. 14 Sticker for US.....	26
Easy worn parts list.....	27

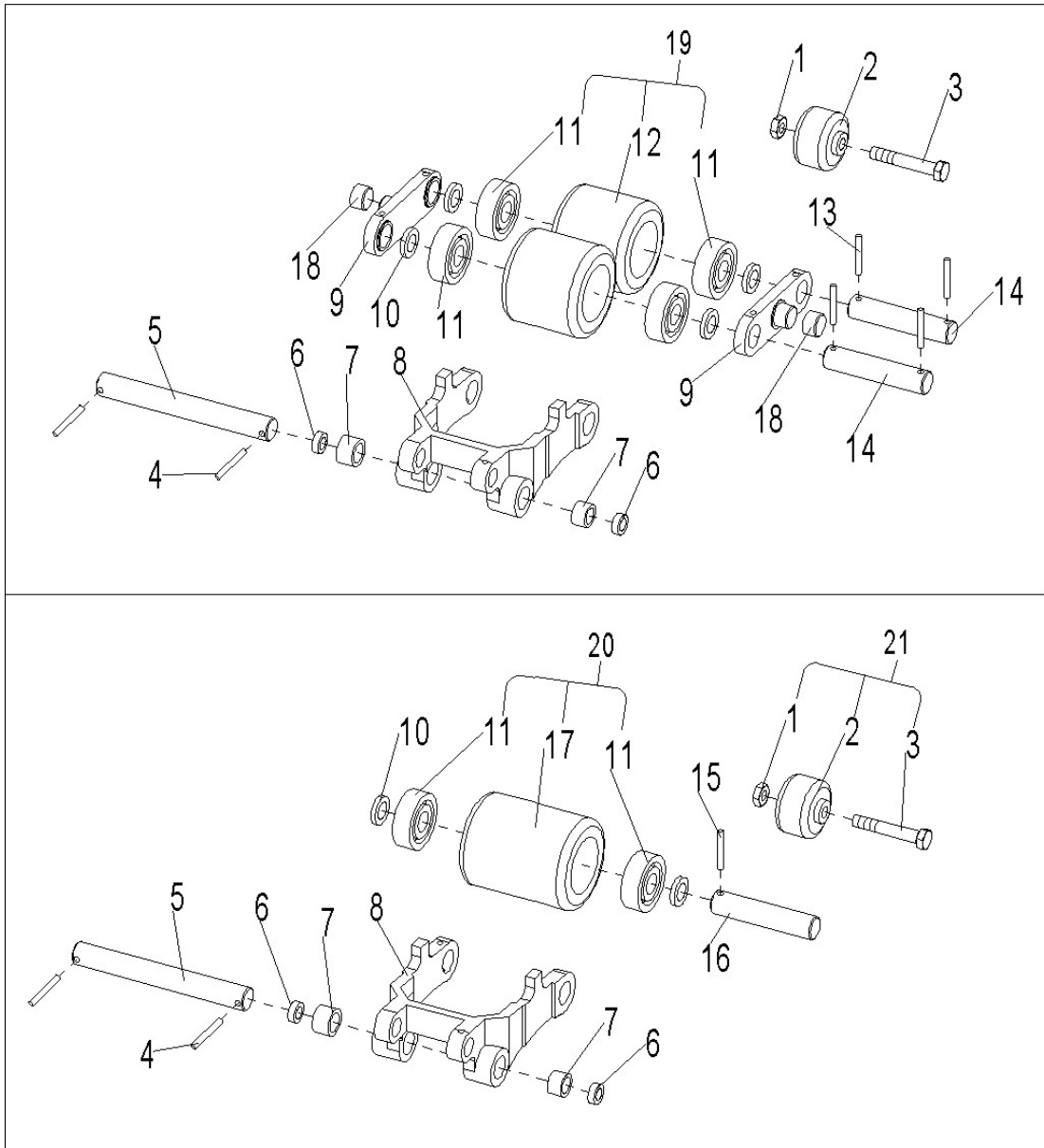
Fig.1 Spare parts for frame



**Fig. 1 Spare Parts for Frame**

No.	Art No.	Description	Qty.	Note
1	9000010762	Chassis	1	
2	9000012553	Limit pad	1	
3	0000023399	Screw	1	M6x12
4	0000023040	Screw	1	M6x16
5	9000010763	Rock arm axle	2	
6	1000523002	Screw	2	M6X14
7	9000002327	Push rod axle	2	
8	0000028016	Dowel pin	2	5x28
9	0000030001	Grease nipple	2	6
10	9000010764	Push rod	2	
11	0000024044	Nut	2	M20x1.5
12	9000010765	Rock arm (right)	2	
13	9000008800	Bushing	4	20x23x21.5
14	0000026019	Circlip	2	16
15	9000001973	Axle	2	
16	9000001966	Push rod fork	2	
17	9000001965	Push rod fork axle	2	
18	9000010766	Rock arm (left)	1	
19	9000008258	Bushing	8	16 x 18 x 15
20	9000011356	Push rod kit	2	

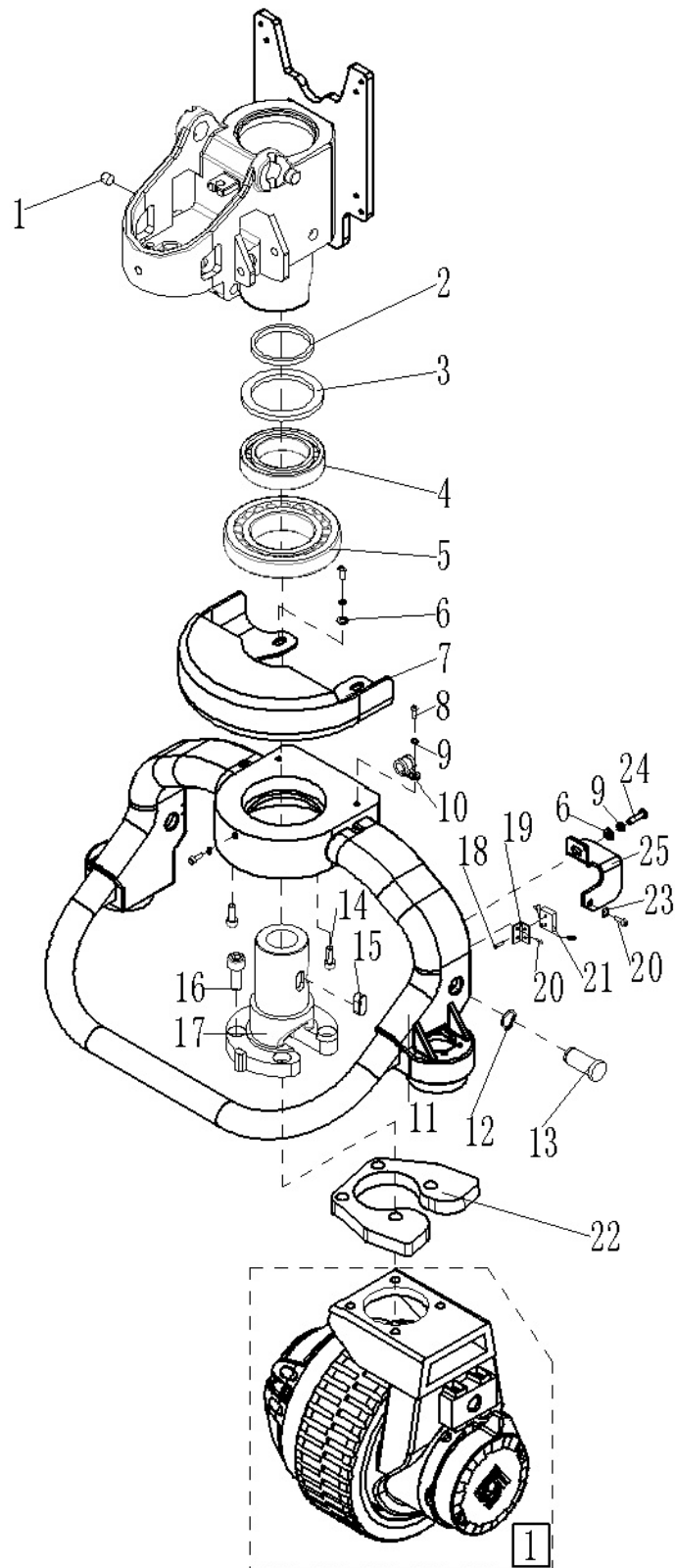
Fig. 2 Load roller



**Fig. 2 Load Roller**

No.	Art No.	Description	Qty.	Note
1	0000023005	Lock nut	2	M10
2	1000516001	Entry roller	2	
3	0000023004	Bolt	2	M10×60
4	0000028016	Dowel pin	4	φ5×30
5	1070307002	Lever block axle	2	
6	1070302002	Exit roller	2	□20×35×7
	1070302005			□20×35×8
7	0000027005	Bushing	4	□22×20×12
8	1070305003	Lever block (wheel frame)	2	
9	9000002326	Linking plate	4	tandem
10	1070325001	Washer	8/4(D/S)	
11	0000027001	Bearing	8/4(D/S)	6204
12	2000416002	Castor	4(D)	□80×70
13	0000028009	Dowel pin	8(D)	□5×35
14	2000407001	Castor axle	4(D)	□20×94
15	0000028009	Dowel pin	2(S)	□5×35
16	2000407004	Castor axle	2(S)	□20×131
17	2000416003	Castor	2(S)	□80×93
18	9000002333	Bushing	4(D)	□18×20×12
19	9000010398	Wheel set kit	4	
20	9000010399	Wheel set kit	2	
21	9000010400	Entry roller kit	2	

Fig. 3 Drive system

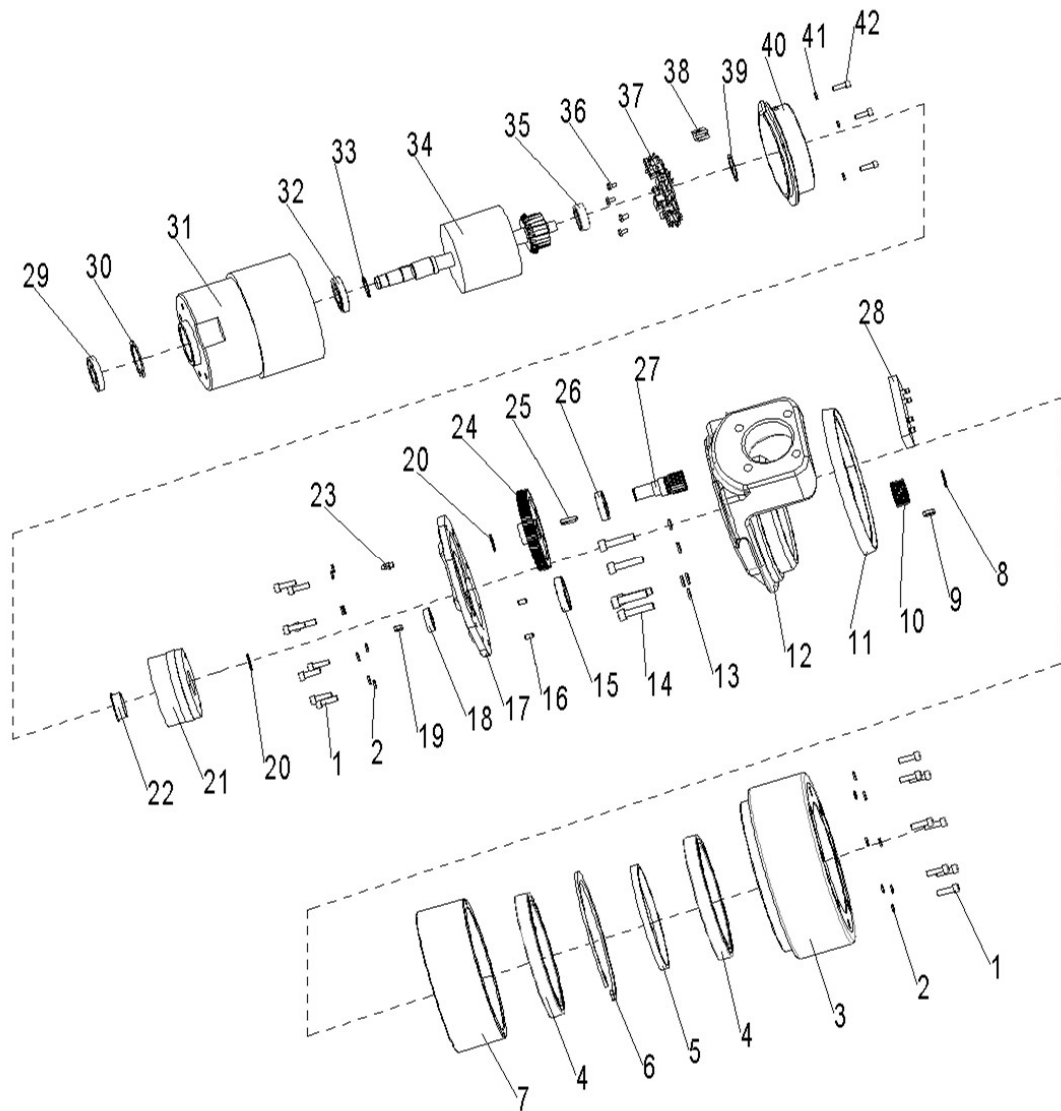


**Fig. 3 Drive System**

No.	Art No.	Description	Qty.	Note
1	0090000302	Screw	1	M10x12
2	9000002433	Washer	1	
3	9000002431	Dust ring	1	
4	0000027065	Bearing	1	6010
5	0090000040	Bearing	1	30212
6	0000023055	Washer	1	6
7	9000010767	Box	1	
8	0000023040	Screw	3	M6x16
9	0000025010	Washer	3	6
10	9000008324	YGE hose clamp	1	
11	9000010768	Drive wheel frame	1	
12	0000026019	Circlip	2	16
13	9000001973	Axle	2	
14	0000023042	Screw	2	M6x10
15	0090000303	Key A	1	10x8x22
16	0000023088	Screw	4	M10x25
17	9000002432	Connecting flange	1	
18	0090000081	Screw	2	M2x10
19	9000001916	Micro switch assembly plate	1	
20	0000023611	Screw	2	M4x10
21	9000002135	Micro switch WS1-Z5-W200R200	1	
22	9000007760	Transition plate	1	Only for Amer PU wheel
23	0000025019	Washer	1	4
24	0000023040	Screw	1	M6x16
25	9000012554	Switch protective frame	1	
□,1	9000011563	Drive wheel	1	
	9000008803	Amer Drive wheel(D.200)	1	PU wheel
	9000008804	Amer Drive wheel(D.230)	1	Rubber wheel



**Fig.4.1 Drive wheel**

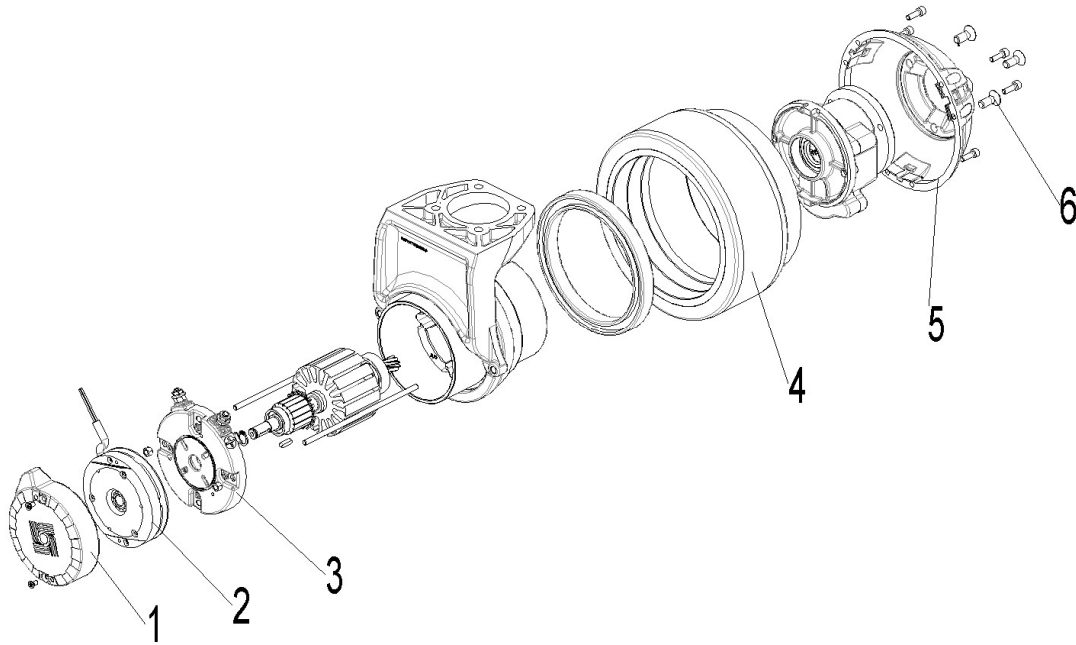


**Fig. 4.1 Drive Wheel**

No.	Art No.	Description	Qty.	Note
1	0000023062	Screw	16	M6×20
2	0000025006	Washer	16	6
3	9000011564	PU wheel	1	
4	0090000179	Bearing	2	61824
5	9000011565	Adjusting washer	1	
6	0090000180	Circlip	1	150
7	9000011566	Gear	1	
8	0090000625	Circlip	1	16

9	0090000498	Flat key	1	A 5×14
10	9000011567	Small gear	1	
11	9000011568	Oil seal	1	
12	9000011569	Gear box	1	
13	0000025004	Washer	5	8
14	0000023487	Screw	5	M8×35
15	0000027086	Bearing	1	61905
16	0000028141	Dowel pin	2	5×15
17	9000011570	Gear cover	1	
18	0090000702	Oil seal	1	16×28×7
19	0090000704	Flat key	1	A 5×8
20	0000026004	Circlip	2	15
21	9000011577	Brake	1	6N.M
22	9000011571	Plug screw	1	
23	0000030028	Grease nipple	1	M8×1
24	9000011572	Big gear	1	
25	0000036011	Flat key	1	A 5×20
26	0000027037	Bearing	1	6003
27	9000011573	Small gear	1	
28	9000011574	Terminal box	1	
29	0090000703	Oil seal	1	42×20×7
30	0000026080	Circlip	1	42
31	9000011575	Motor cover	1	
32	0090000700	Bearing	1	6004
33	0000026003	Circlip	1	20
34	9000011576	Rotor	1	
35	0090000701	Bearing	1	6201
36	0000023052	Screw	4	M4×8
37	9000011578	Brush kit	1	
38	9000011579	Protective ring	1	
39	0090000705	Wave spring washer	1	32
40	9000011580	Rear end cover	1	
41	0000025012	Washer	3	5
42	0000023673	Screw	3	M5×16

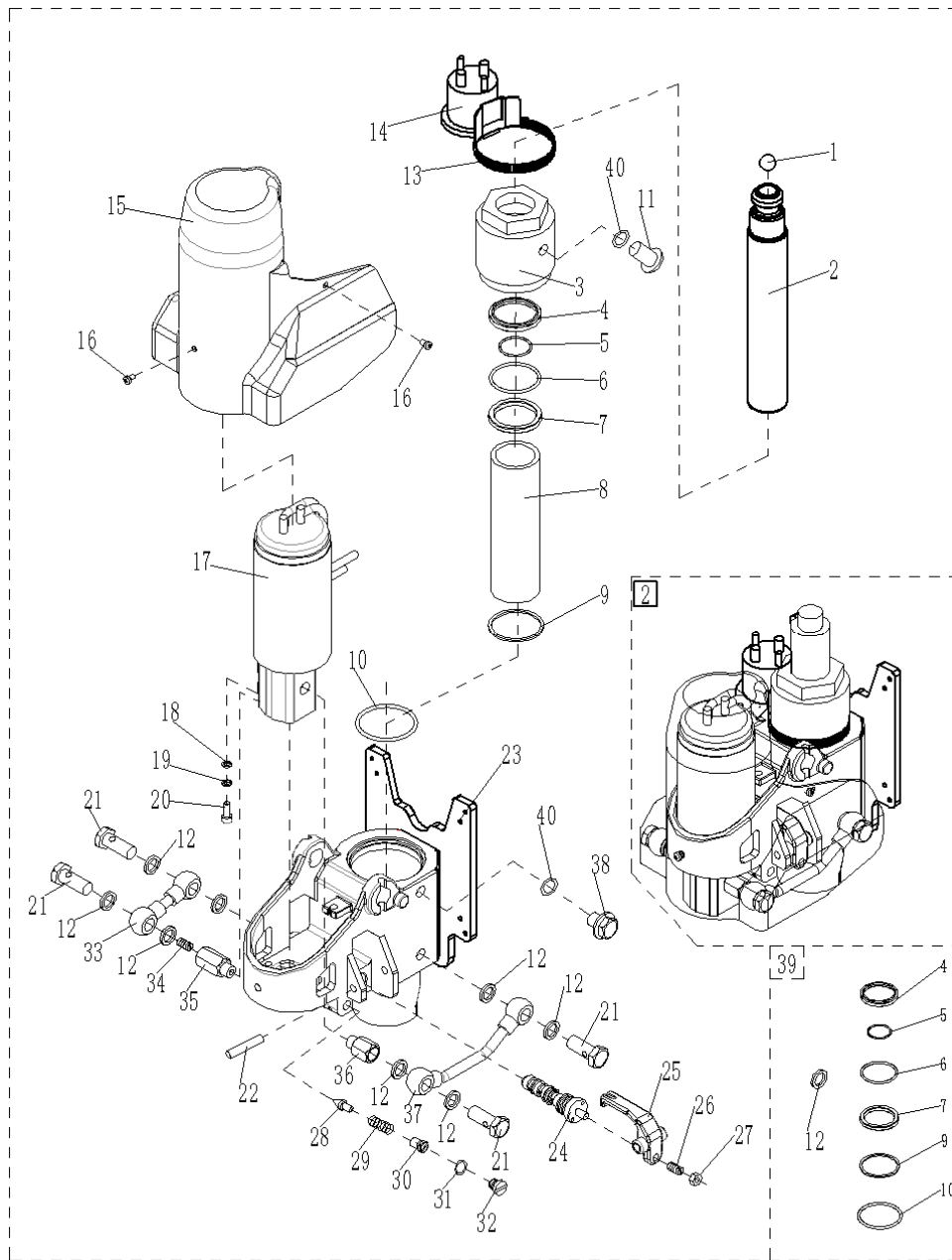
**Fig.4.2 Drive wheel (Amer)**



**Fig. 4.2 Drive Wheel (Amer)**

No.	Art No.	Description	Qty.	Note
1	9000010340	Brake cover	1	
2	9000009821	Electromagnetic brake	1	
3	9000010341	End cap	1	Include brush
4	9000010342	Wheel (D.200)	1	PU
	9000010345	Wheel (D.230)	1	Rubber
5	9000010343	Cover	1	
6	9000010344	Screw	4	M8×20

**Fig. 5 Hydraulic parts**

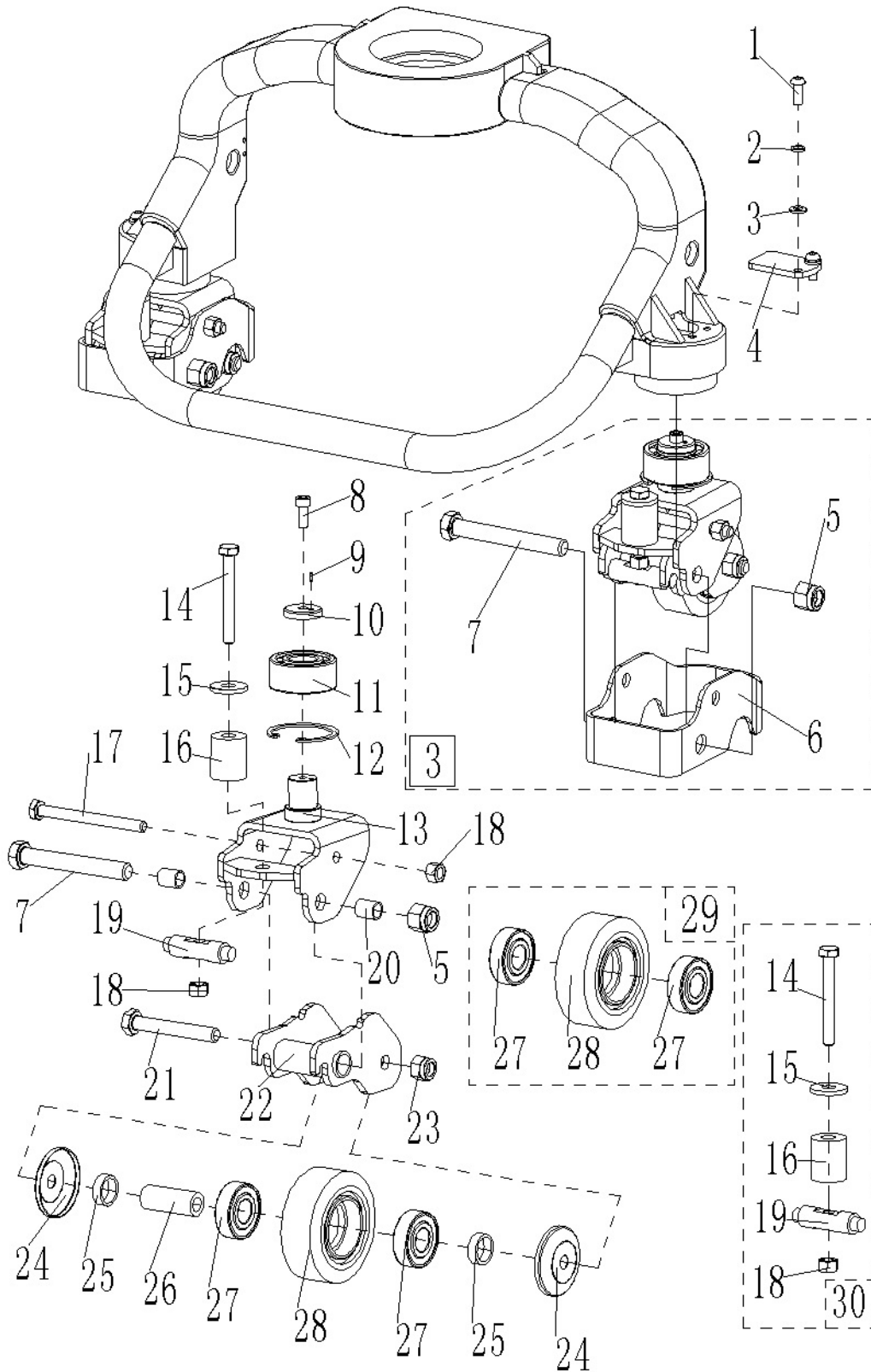


**Fig. 5 Hydraulic Parts**

No.	Art No.	Description	Qty.	Note
1	0000037028	Steel ball	1	18
2	9000010769	Piston rod	1	
3	9000011647	Cylinder cover	1	
4	0000022125	Rubber dust cover	1	40x48x6.5
5	0000022210	O rubber seal ring	1	40x3.55
6	0000022311	O rubber seal ring	1	55x3.5

7	0000022188	Rubber seal ring	1	40x50x6
8	9000011648	Inner cylinder barrel	1	
9	0000022025	O rubber seal ring	1	75x3.1
10	0000022309	O rubber seal ring	1	45x3.55
11	9000011359	Vent plug	1	
12	9000006022	Pad	9	14
13	9000002154	Hoop	1	KG01
14	9000002153	Pump station	1	24V/150A
15	9000011651	Motor protective cover	1	
16	0000023516	Screw	3	M5x10
17	9000010205	Hydraulic pump	1	
18	0000023055	Washer	2	6
19	0000025010	Washer	2	6
20	0000023040	Screw	2	M6x16
21	1020317002	Bolt	4	G1/4
22	0000028135	Dowel pin	1	8x50
23	9000011361	Pump body	1	
24	1500200001	Hydraulic valve assembly	1	
25	9000011645	Bar	1	
26	0000023551	Screw	1	M8x20
27	0000024112	Nut	1	M8
28	2800237007	Safety valve core	1	
29	1500231006	Spring	1	2x8.3x19.5
30	1500223005	Screw	1	
31	0000025021	Seal washer	1	10
32	1070202001	Screw plug	1	M10x1
33	9000011650	Steel tube	1	
34	9000011653	Check valve	1	
35	9000011652	Joint	1	
36	9000011654	Joint(short)	1	
37	9000011649	Steel tube	1	
38	0090000170	Screw	1	M16X1.5
39	9000011357	Seal kits	1	
40	0000022051	Pad	1	16
□,2	9000011778	Hydraulic assembly	1	

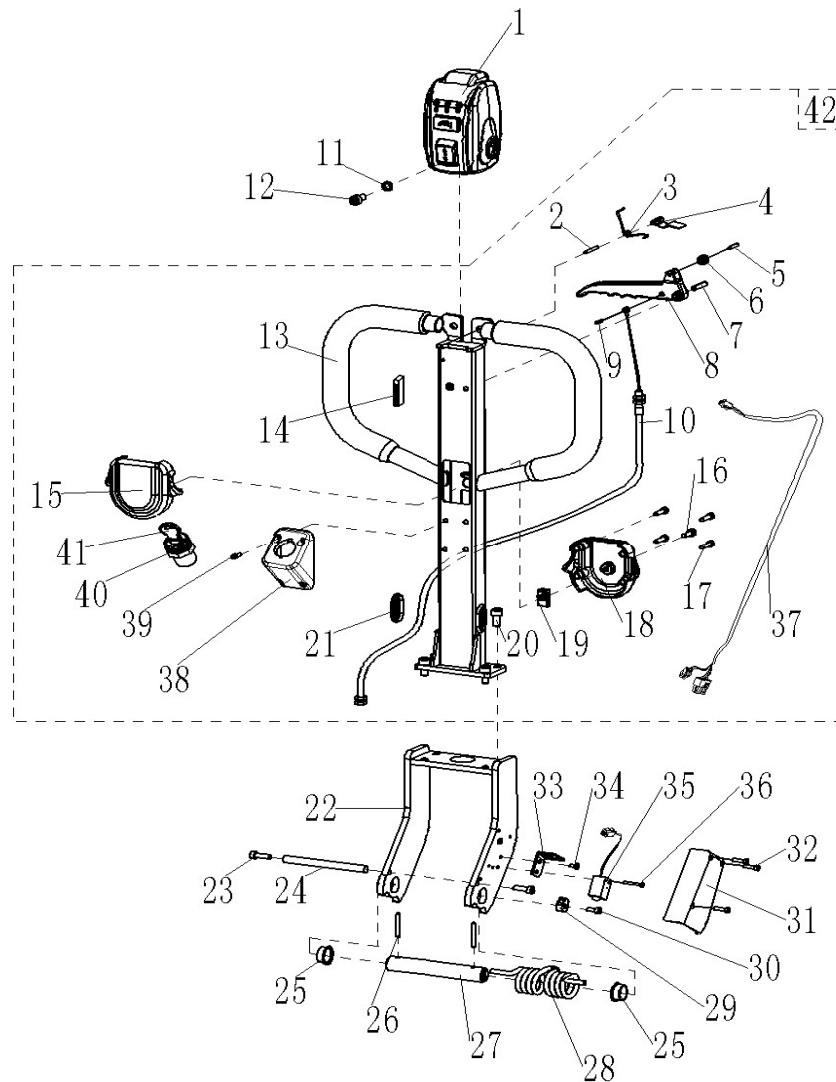
Fig. 6 Castors



**Fig. 6 Castors**

No.	Art No.	Description	Qty.	Note
1	0000023126	Screw	4	M5x12
2	0000025015	Washer	4	5
3	0000025014	Washer	4	5
4	9000010771	Dust board	2	
5	0000024006	Nut	1	M12
6	9000010772	Apron	1	
7	0090000416	Bolt	1	M12x90
8	0000023325	Screw	1	M6x15
9	0090000600	Dowel pin	1	3x14
10	9000010773	Circlip	1	
11	0090000601	Bearing	1	3204 A-2Z
12	0000026009	Circlip	1	47
13	9000010774	Wheel frame	1	
14	0090000052	Bolt	1	M8x70
15	0000025136	Washer	1	8
16	9000009155	Spring	1	
17	0000023822	Bolt	1	M8x90
18	0000024003	Nut	2	M8
19	9000009156	Spindle	1	
20	1000413002	Bushing	2	12X15X15
21	0090000415	Bolt	1	M10x70
22	9000009151	Rotating arm	1	
23	0000023005	Nut	1	M10
24	9000009159	Dust cover	2	
25	9000009158	Spacer	2	
26	9000009157	Sleeve	1	
27	0000027068	Bearing	2	6203
28	9000008793	Castor	1	80X30
29	9000010401	Castor assembly	1	
30	9000010402	Spring assembly	1	
□,3	9000010775	Castor assembly	1	

**Fig. 7 Handle bar**



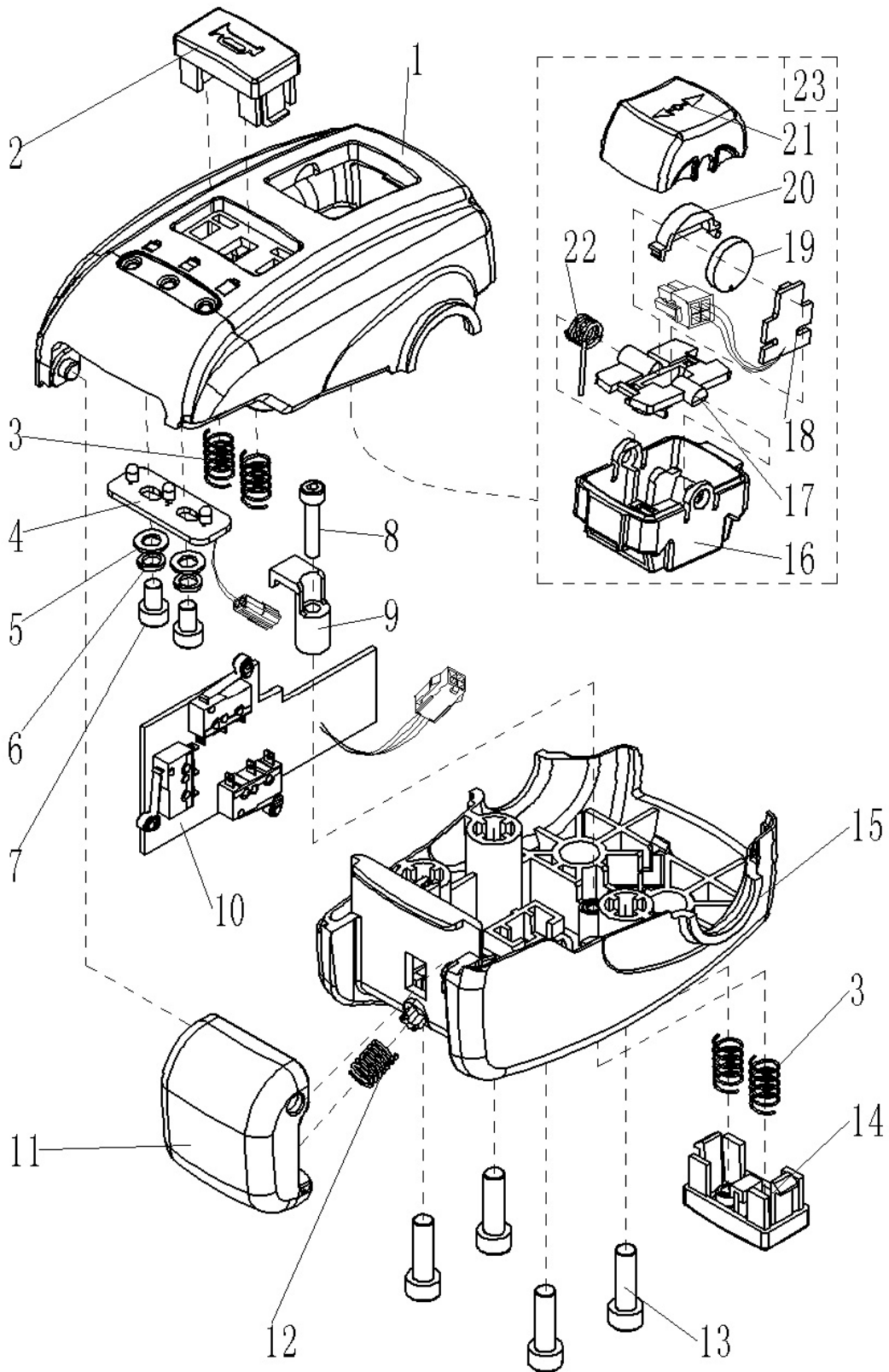
**Fig. 7 Handle Bar**

No.	Art No.	Description	Qty.	Note
1	9000010790	Handle head	1	
2	0000028071	Dowel pin	1	4x30
3	2800131001	Spring	1	
4	2800137008	Folder	1	
5	0000028127	Dowel pin	1	4x20
6	2800137007	Roller	1	12x4.5x10
7	0000028137	Dowel pin	1	6x30
8	1500100002	Tiller lever	1	
9	0000028136	Dowel pin	1	4x13



10	9000010791	Control wire	1	
11	0000025001	Washer	2	8
12	0000023067	Screw	2	M8x16
13	9000010794	Tiller arm assembly	1	
14	2800118001	Rubber pad	1	
15	9000010793	Cover (front)	1	
16	0000023040	Screw	1	M6x16
17	0000023306	Screw	4	M5x20
18	9000010792	Cover (rear)	1	
19	9000007785	Nut	1	M6
20	0000023067	Screw	4	M8x16
21	1070118001	Sheath (circular)	2	
22	9000011637	Handle flange	1	
23	0000023020	Screw	2	M6x20
24	9000011636	Limit axle	1	
25	9000010333	Bushing	2	20x22x10
26	0000028009	Dowel pin	2	5x35
27	9000011630	Handle axle	1	
28	9000011634	Torsional spring	1	
29	9000011635	Proximity switch indication block	1	
30	0000023076	Screw	1	M5x12
31	9000011631	Protective cover	1	
32	0000023853	Screw	3	M4x16
33	9000011632	Connector fixing frame	1	
34	0000023071	Screw	2	M4x8
35	9000008329	Proximity switch	1	NBN5-F7-E2
36	0000023685	Screw	2	M3x25
37	9000011348	Handle linking cable		
38	9000011780	Key seat	1	
39	0000023211	Screw	4	M4x16
40	9000008326	Key switch	1	
41	9000008519	Key	1	
42	9000011781	Handle bar kits	1	

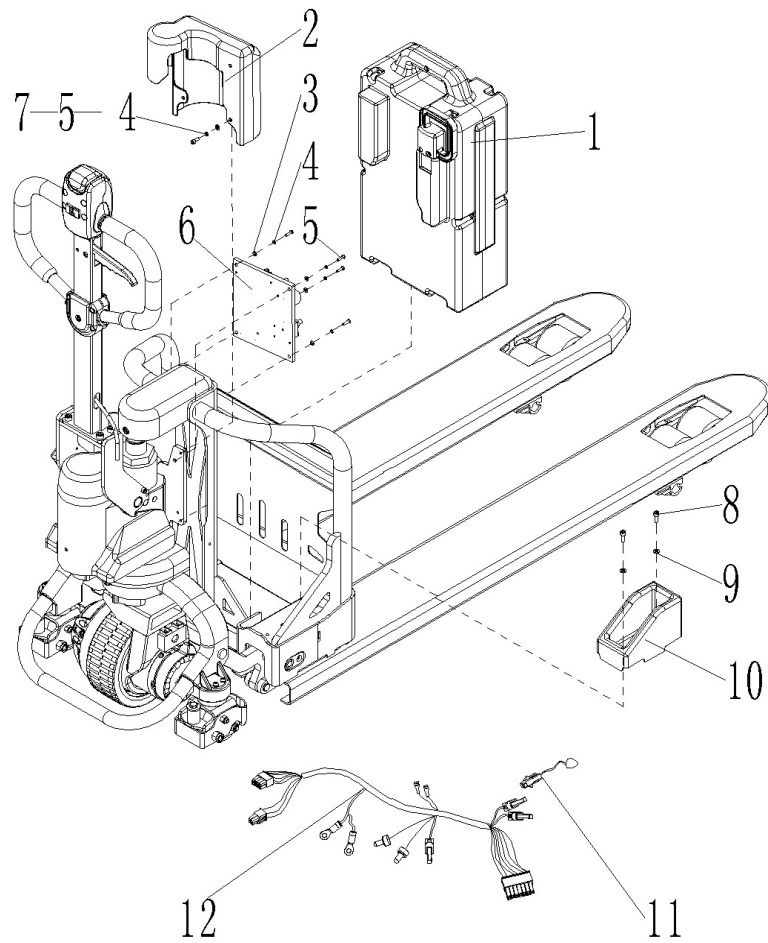
Fig. 8 Handle head



**Fig. 8 Handle Head**

No.	Art No.	Description	Qty.	Note
1	9000010776	Tiller cover	1	
2	9000010777	Horn switch	1	
3	9000002186	Spring	4	0.6
4	9000012009	LED Indicator	1	
5	0000025026	Washer	2	3
6	0000025003	Washer	2	3
7	0090000554	Screw	2	M3x8
8	0000023568	Screw	1	M4x20
9	9000010778	Circuit board fixing seat	1	
10	9000012007	Main circuit board assembly	1	
11	9000010779	Belly button	1	
12	9000002182	Spring	1	0.8
13	0000023030	Screw	4	M6x25
14	9000010780	Lifting switch	1	
15	9000010781	Tiller lower cover	1	
16	9000010789	Frame	1	
17	9000010782	Balance bridge	1	
18	9000012008	Small circuit board	1	
19	9000010783	Magnet	1	
20	9000010787	Magnet cover	1	
21	9000010784	Accelerate switch	1	
22	9000010786	Torsional spring	1	
23	9000010785	Accelerator switch	1	

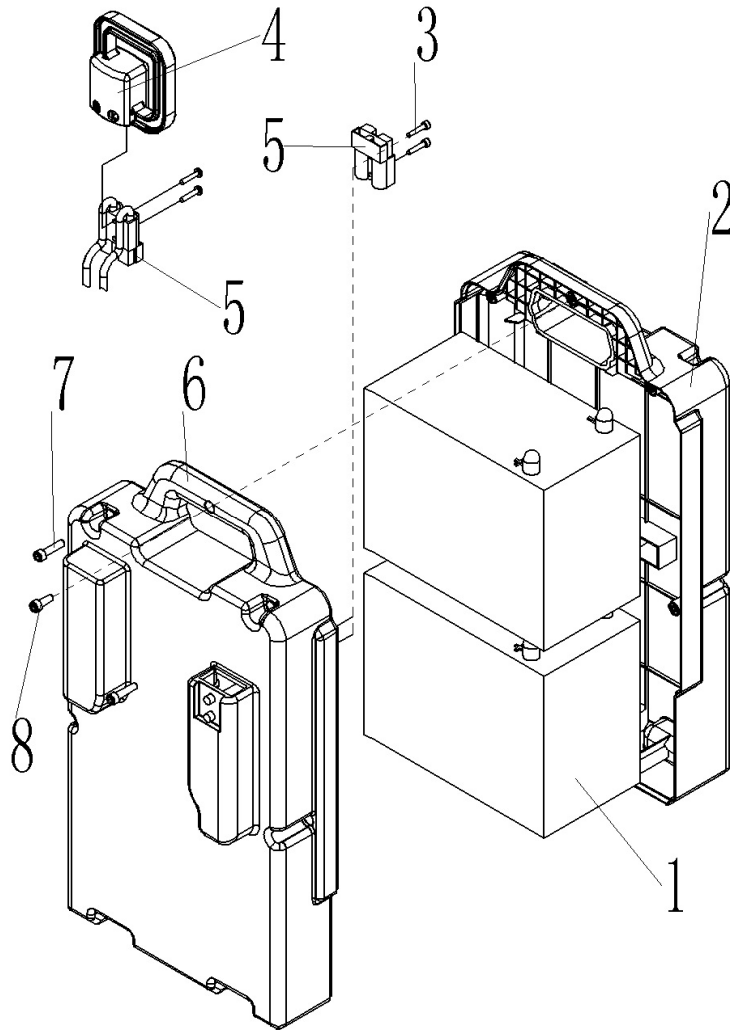
**Fig. 9 Truck parts**



**Fig. 9 Truck Parts**

No.	Art No.	Description	Qty.	Note
1	9000011362	Power supply assembly	1	
2	9000010770	Electric control cover	1	
3	0000025014	Washer	8	5
4	0000025015	Washer	8	5
5	0000023673	Screw		M5x16
6	9000011344	Electric control assembly	1	
7	0000023076	Screw	8	M5x12
8	0000023040	Screw	4	M6x16
9	0000025010	Washer	4	6
10	9000011363	Container	2	
11	9000002192	LED display	1	
12	9000011347	Main control wiring harness	1	

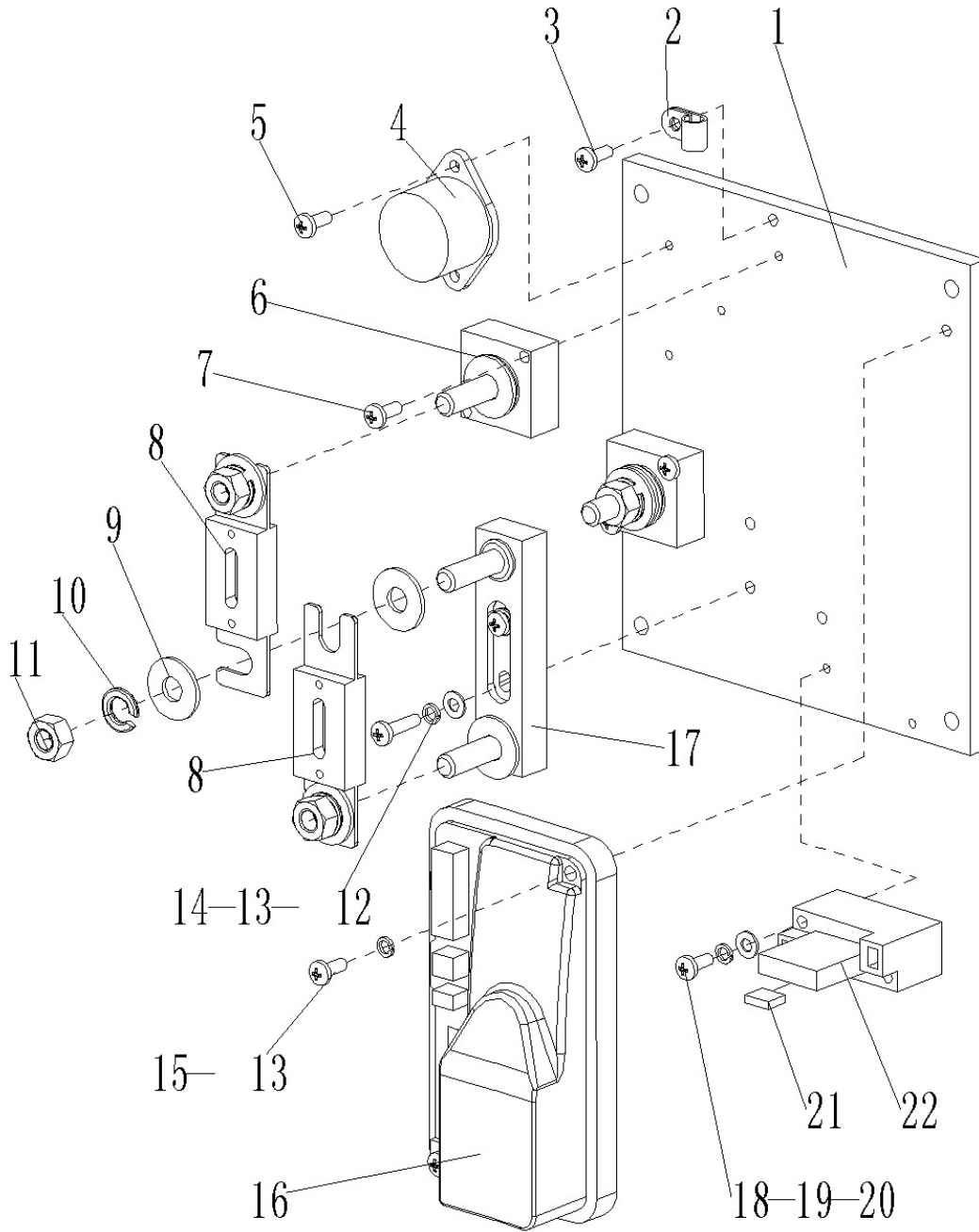
**Fig. 10 Power supply assembly**



**Fig. 10 Power Supply Assembly**

No.	Art No.	Description	Qty.	Note
1	9000011775	Battery 5HR	2	12V/33Ah
2	9000011366	Battery box (front)	1	
3	0000023538	Screw	4	M4x20
4	9000011364	Handle	1	
5	9000009568	REMA connector	2	SRX 50A
6	9000011365	Battery box (rear)	1	
7	0000023193	Screw	6	M6x25
8	0000023063	Screw	1	M6x16

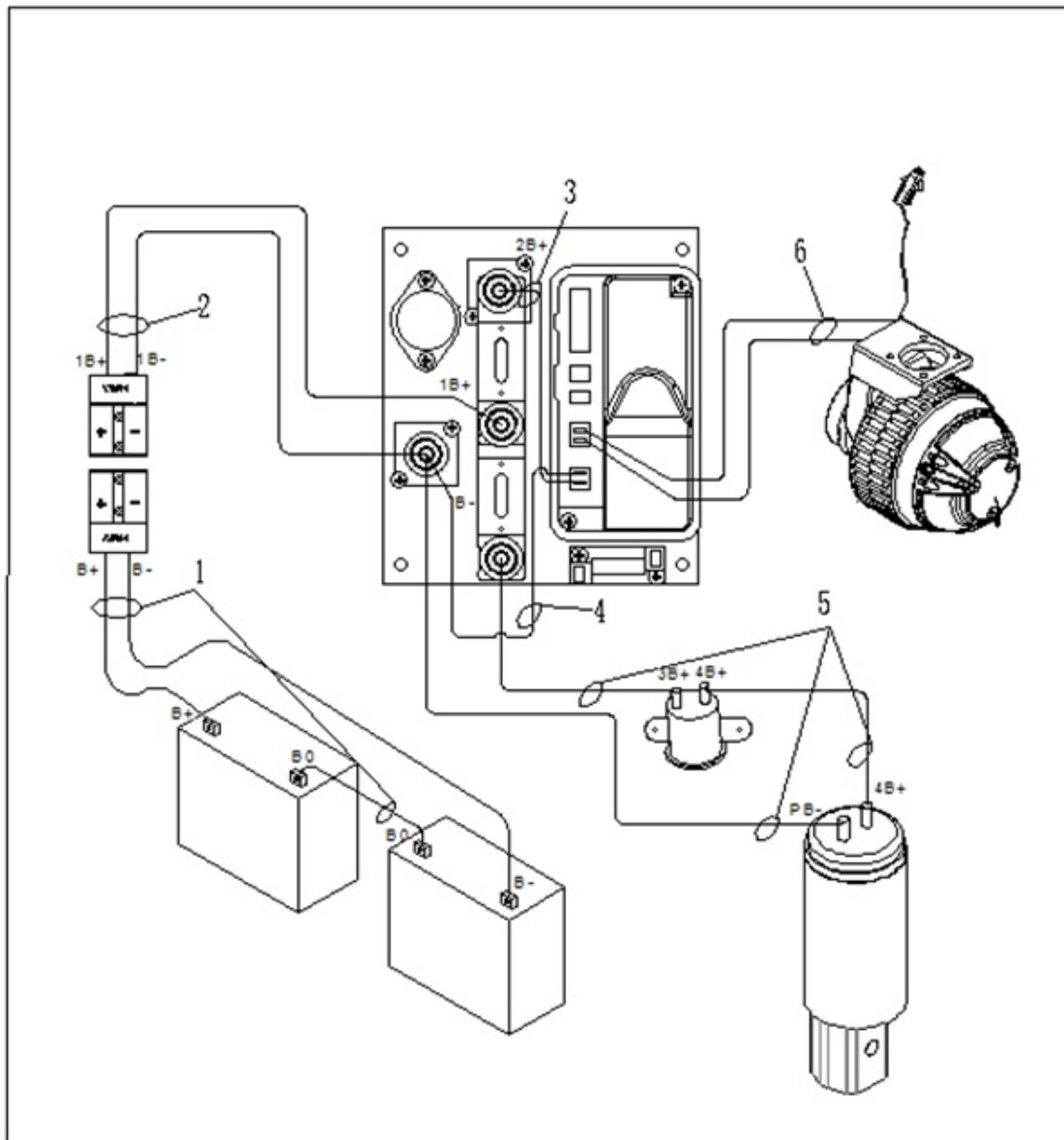
Fig. 11 Electronic control assembly



**Fig. 11 Electronic Control Assembly**

No.	Art No.	Description	Qty.	Note
1	9000011343	Aluminium plate	1	
2	9000002321	Buzzer	1	
3	0000023755	Screw	2	
4	0000025019	Washer	8	
5	0000025018	Washer	8	
6	0000023071	Screw	4	
7	1020434002	Fixing point	2	
8	1000434020	Fuse	2	
9	1000434007	Fuse seat	1	
10	0000023211	Screw	2	
11	0000023051	Screw	1	
12	0000023019	Screw	1	
13	9000009802	Controller	1	
14	0000023074	Screw	2	
15	1000434040	Fuse	1	
16	1000434021	Fuse seat	1	

**Fig. 12 Main cables**

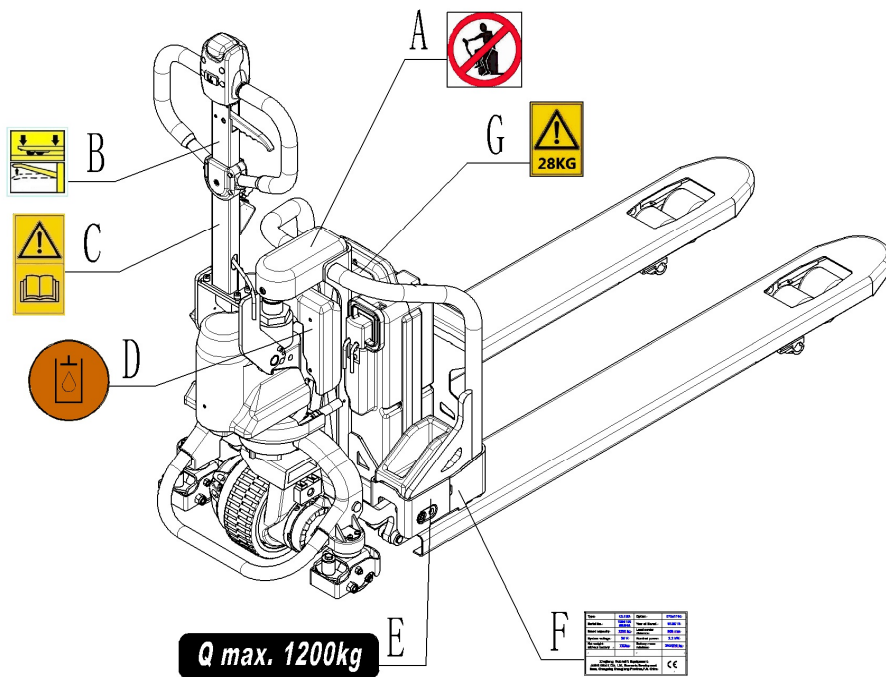


**Fig. 12 Main Cables**

No.	Art No.	Description	Qty.	Note
1	9000011352	Battery cable	1	
2	9000011351	Main battery cable	1	
3	9000011354	2B+cable	1	
4	9000011353	B- cable	1	
5	9000011350	Pump motor cable	1	
6	9000011349	Battery cable	1	



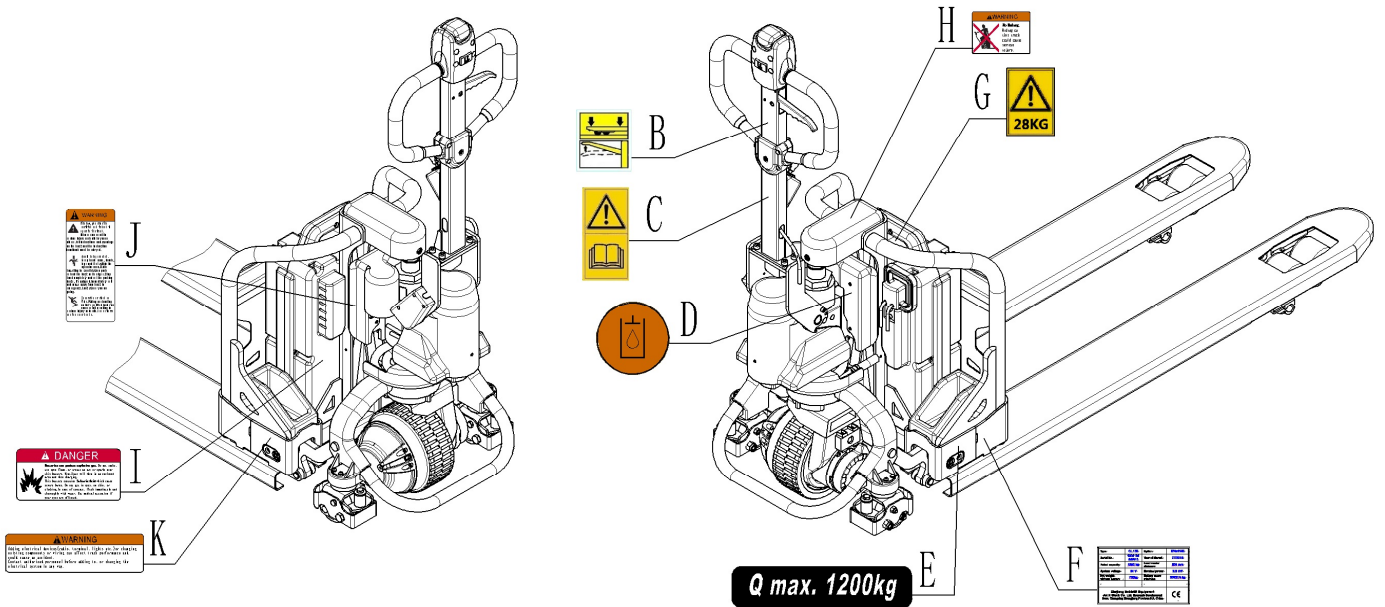
**Fig. 13 Sticker for EU**



**Fig. 13 Sticker for EU**

No.	Art No.	Description	Qty.	Note
A	9000003573	'No passengers' decal	1	
B	9000010879	Tiller operation sticker	1	
C	9000003570	Sign read and follow this instruction	1	
D	9000008555	Cylinder sticker	1	
E	9000003569	Sign capacity sticker (1200kg)	1	
F	9000011358	CE sticker	1	
G	9000011782	Weight sticker (Battery)	1	

**Fig. 14 Sticker for US**



**Fig. 14 Sticker for US**

No.	Art No.	Description	Qty.	Note
B	9000010879	Tiller operation sticker	1	
C	9000003570	Sign read and follow this instruction	1	
D	9000008555	Cylinder sticker	1	
E	9000003569	Sign capacity sticker (1200kg)	1	
F	9000011358	CE sticker	1	
G	9000011782	Weight sticker (Battery)	1	
H	9000003580	Warning sticker	1	
I	9000003577	Warning sticker	1	
J	9000003575	Warning sticker	1	
K	9000003579	Warning sticker	1	

### Easy worn parts list

No.	Part number	Name	Qty.	Fig./Position	Note
1	9000008800	Bushing	4	Fig.1/11	20x23x21.5
2	9000008258	Bushing	8	Fig.1/17	16×18×15
3	0000027005	Bushing	4	Fig.2/7	∅22×∅20×12
4	9000002333	Bushing	4	Fig.2/18	18×20×12
5	9000010398	Wheel set kit	4	Fig.2/19	Double
6	9000010399	Wheel set kit	2	Fig.2/20	Single
7	9000002135	Micro switch	1	Fig.3/21	WS1-T5-W200R200
8	9000011564	PU wheel	1	Fig.4.1/3	
9	9000011578	Brush kit	1	Fig.4.1/37	
10	9000010342	Wheel (D.200)	1	Fig.4.2/4	PU
	9000010345	Wheel (D.230)	1		Rubber
11	0000022125	Rubber dust cover	1	Fig.5/4	40x48x6.5
12	0000022210	O rubber seal ring	1	Fig.5/5	40x3.55
13	0000022311	O rubber seal ring	1	Fig.5/6	55x3.5
14	0000022188	Rubber seal ring	1	Fig.5/7	40x50x6
15	0000022025	O rubber seal ring	1	Fig.5/9	75x3.1
16	0000022309	O rubber seal ring	1	Fig.5/10	45x3.55
17	9000006022	Pad	9	Fig.5/12	14
18	9000011357	Seal kits	1	Fig.5/39	
19	1000413002	Bushing	4	Fig.6/20	12X15X15
20	9000010401	Castor assembly	2	Fig.6/29	
21	9000010402	Spring assembly	2	Fig.6/30	
22	9000010333	Bushing	2	Fig.7/25	20x22x10
23	1000434020	Fuse	2	Fig.11/8	60A
24	1000434040	Fuse	1	Fig.11/15	10A