

RT 15ST

014-02-25/ RT 15ST-JSSJ-003

Distinguishing mark	1.2	Manufacturer' type designation		RT15ST
	1.3	Drive(electric,diesel,petrol,gas,main electric)		Battery
	1.4	Type of operation(hand,pedestrian,stand on,rider picker)		Stand on
	1.5	Load capacity/rated load	lbs	3300
	1.6	Load center distance	in	19.7
	1.8	Load distance,centre of drive axle to fork	in	15.0
	1.9	Wheelbase	in	58.3
Weight	2.1	Service weight incl.battery	lbs	7986
	2.3	Axle loading,unladen front/rear	lbs	4972/3014
	2.4	Axle loading,fork advanced,laden front/rear	lbs	1848/9438
	2.5	Axle loading,fork retraced,laden front/rear	lbs	4312/6974
Tires, Chassis	3.1	Tyres(solid rubber,superelastic,pneumatic,polyurethane)		Polyurethane (PU)
	3.2	Tyres size,front	in	13.5x5.5
	3.3	Tyres size,rear	in	10.5x4.2
	3.5	Wheels,number rear /front (x=driven wheels)		2/1x+2
	3.7	Track width,rear/front	in	39.8/19.7
Dimensions	4.1	Mast/fork carriage tilt forward/backward		3/5
	4.2	Lowered mast height	in	133.8
	4.3	Free lift	in	108.7
	4.4	Lift height	in	315.0
	4.5	Extended mast height	in	348.8
	4.7	Overhead load guard (cab) height	in	91.7
	4.19	Overall length	in	88.4
	4.20	Length to face of forks	in	52.2
	4.21	Overall width	in	44.5
	4.22	Fork dimensions	in	1.4/3.9/36.2
	4.25	Width over forks (min/max)	in	7.9/30.0
	4.28	Reath distance	in	22.0
	4.31	Ground clearance	in	3.1
	4.34	Aisle width for pallets 800X1000 cossways	in	106.1
	4.35	Turning radius	in	68.9
4.37	Length across wheel arms	in	73.0	
manac	5.1	Travel speed,laden/unladen	mph	15.3/15.3
	5.2	Lift speed,laden/unladen	ft/s	0.92/1.05

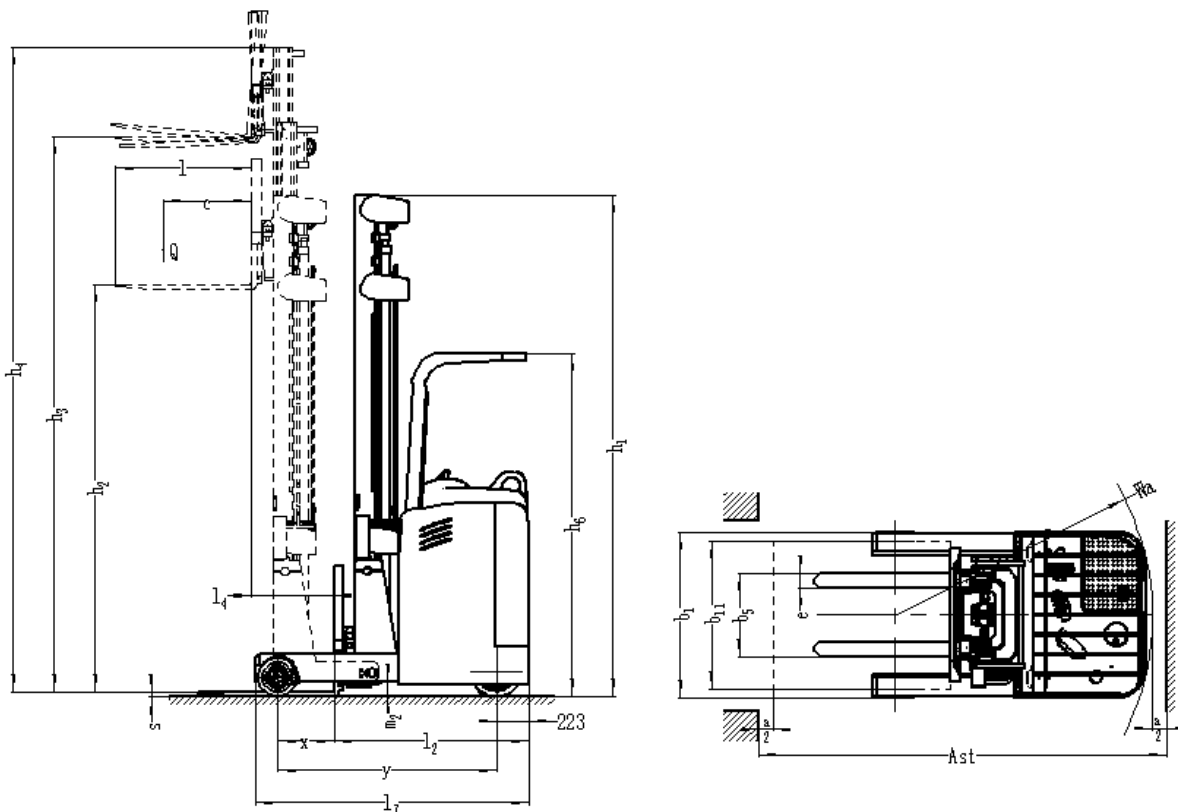
NOBLELIFT CHINA

Add: No.528,Jing Yi Road Economic Development Zone,Changxing Zhejiang China

Tel: 86-572- 6210788 Fax: 86-572-6210777 PC: 313100

Email: info@nobelift.com URL: www.nobelift.us www.nobelift.com

	5.3	Lowering speed,laden/unladen	ft/s	1.15/1.02
	5.4	Reath speedm,laden/unladen	ft/s	0.3/0.4
	5.8	Max.gradient performance,laden/unladen		10/15
	5.10	Service brake		Electric
Electric- motor	6.1	Drive motor rating S_2 60 min	HP	7.4
	6.2	Lift motor rating at S_3 15%	HP	11.5
	6.3	Battery acc.to DIN 43531/35/36 A,B,C,no		A,4Pzs
	6.4	Battery voltage,nominal capacity K_5		48V/360Ah
	6.5	Battery weight	lbs	1496
Additional data	8.1	Type of drive control		AC-Speed Control
	8.2	Operating pressure for attachments	psi	1596
	8.3	Oil volume for attachments	cuft/min	1.41
	8.4	Sound level at driver's ear according to EN 12053		<70



NOBLELIFT CHINA

Add: No.528,Jing Yi Road Economic Development Zone,Changxing Zhejiang China

Tel: 86-572- 6210788 Fax: 86-572-6210777 PC: 313100

Email: info@noblift.com URL: www.noblift.us www.noblift.com

Mast table RT 15ST				
Designation	Lowered mast height h_1 (in)	Free lift height h_2 (in)	Lift height h_3 (in)	Extended mast height h_4 (in)
RT 15ST				
Two-stage mast	72.0	5.3	98.4	133.3
	75.6	5.3	106.3	141.1
	81.9	5.3	118.1	153.0
	87.8	5.3	130.0	164.8
	93.7	5.3	141.7	176.6
	101.6	5.3	157.5	192.3
	111.4	5.3	177.2	212.0
Three-stage mast FFL	87.8	31.4	177.2	211.0
	94.4	34.6	196.9	230.7
	98.3	36.6	208.7	242.5
	101.0	37.9	216.5	250.4
	104.9	39.9	228.3	262.2
	107.5	41.2	236.2	270.1
	114.1	44.5	255.9	289.8
	120.7	47.6	275.6	309.4
	127.2	51.1	295.3	329.1
	133.8	54.3	315.0	348.8

NOBLELIFT CHINA

Add: No.528,Jing Yi Road Economic Development Zone,Changxing Zhejiang China

Tel: 86-572- 6210788 Fax: 86-572-6210777 PC: 313100

Email: info@nobelift.com URL: www.nobelift.us www.nobelift.com