

# FE3R16N

NEW!

## 3-Wheels Rear drive Electric Forklift

# N series 1.6 ton

Noblelift's new N series electric forklifts include the FE3R series of compact three-point rear-drive electric forklifts, the FE3D series three-point front drive counterbalanced electric forklifts, and the FE4P series four-point front drive counterbalanced electric forklifts. N series electric forks with excellent performance will greatly reduce operating costs while boosting your work efficiency. Noblelift is committed to meeting customer needs as well as the concept of energy conservation and environmental protection in material handling industry.

- Variable wheelbase design, minimizing turning radius
- Compact body design with excellent trafficability
- Curtis intelligent computer control system and fault display
- Excellent safety and reliability
- Convenient and efficient maintainability
- Intelligent open structure chassis and battery access door
- Ergonomic design and comfortable operation



NOBLELIFT



## Variable wheelbase design

The forward and backward motion of front wheels is realized through the tilting of mast, therefore minimizes the turning radius.



## Compact chassis

Overall width of forklift is 1000mm and turning radius is 1520mm, ensuring the excellent trafficability.



## Sidextractionbatterydesign

Fast change of battery.



## Full open cover

Convenient maintenance and repair.



## Easy service and maintenance access

The N Series offer ages-spring-assisted battery hood to make battery checks and maintenance easier to perform. Downtime is further reduced through the use of its Curtison-board self-diagnostic system that makes troubleshooting and repairs quick and simple. The controller is housed within a compartment designed to prevent the entry of dust, water and other possible contaminants, yet the cover can be removed for easy and quick service and maintenance.



## Intelligent open chassis and battery access door

3R N series offers various ways of removing or replacing battery, which is convenient for continuous shift operation and opening of battery door. You may change the battery from side or lift the battery from the battery just as regular forklift.







Ergonomic design and comfortable operation



Excellent safety and reliability



Big LED display



Full dual front wheel drive

## Intelligent factory





Driving speed, fully laden/unladen:  
10/11(Km/h)



Lifting speed, fully laden/unladen:  
0.24/0.37(m/s)



Turning radius:  
1520mm



Working aisle width:  
Pallet size 1000\*1200 :3288mm  
Pallet size 800\*1200:3411mm



Climbing performance,  
fully laden/unladen S2 30mins:10/13

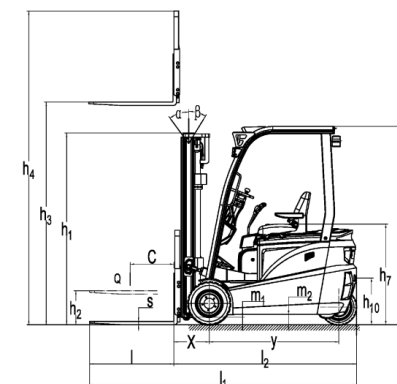
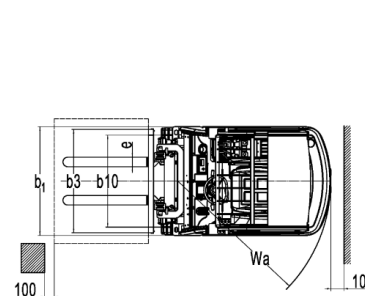


Maximum mast height:  
6m



## Type sheet for industrial truck acc. to VDI 2198

Identification			
1.1	Manufacture(abbreviation)		Noblelift
1.2	Manufacturer's type designation		FE3R16N
1.3	Drive:electric (battery or mains),diesel,petrol gas,manual		electric
1.4	Type of operation(hand,pedestrian,standing,seated,order-picker)	Q(t)	seated
1.5	Load capacity/rated load	C(mm)	1600
1.6	Load centre distance	x(mm)	500
1.8	Load distance,centre of drive axle to fork	y(mm)	340
1.9	wheelbase		1240
Weight			
2.1	Service weight incl. battery (see line 6.5)	kg	3000
2.2	Axle loading ,laden front/rear	kg	4000/600
2.3	Axle loading,unladen front/rear	kg	1280/1720
Tires, chassis			
3.1	Type:solid rubber,superelastic,pneumatic,polyurethane		solid rubber/solid rubber
3.2	Tyres size,front		457/178-308
3.3	Tyres size,rear		18×7-8
3.5	Wheels,number front/rear(×=driven wheels)		2/1×
3.6	Track width,front	b10(mm)	822
3.7	Track width,rear	b10(mm)	—
Dimensions			
4.1	Mast/fork carriage tilt forward/backward	$\alpha/\beta(^{\circ})$	3/6
4.2	lowered mast height	h1(mm)	1986
4.3	Free lift	h2(mm)	105
4.4	Lift height	h3(mm)	3000
4.5	Extended mast height	h4(mm)	3980
4.7	Overhead load guardheight	h5(mm)	2060
4.8	Seat height/standing height	h7(mm)	1050
4.12	Coupling height	h10(mm)	570
4.19	Overall length	l1(mm)	2785
4.20	Length to face of forks	l2(mm)	1865
4.21	Overall width	b1(mm)	1000
4.22	Fork dimensions	s/e l(mm)	35/100/920
4.24	Fork carriage width	b3(mm)	980
4.31	Ground clearance ,laden,under mast	m1(mm)	92
4.32	Ground clearance,centre of wheelbase	m2(mm)	97
4.33	Aisle width for pallets 1000×1200 crossways	Ast(mm)	3288
4.34	Aisle width for pallets 800×1200 lengthways	Ast(mm)	3411
4.35	Turning radius	Wa(mm)	1520
Performance data			
5.1	Travel speed,laden/unladen	Km/h	10/11
5.2	Lift speed,laden/unladen	m/s	0.24/0.37
5.3	lowering speed,laden/unladen	m/s	<600
5.6	Max drawbar pull ,laden/unladen S2 5 min	N	2800/8000
5.7	Gradient performance,laden/unladen S2 30 min	N	10/13
5.10	Service brake		Hydraulic
E-Motor			
6.1	Drive motor rating S2 60 min	Kw	5
6.2	Lift motor rating at S3 15%	Kw	8.6
6.3	Battery standard		DIN
6.4	Battery voltage,nominal capacity K5	V/Ah	48/350 48V/400(optional)
6.5	Battery weight	kg	650
	Battery dimensions l/w/h	mm	770×485×661
Other Details			
8.1	Type of drive control		AC
8.2	Operating pressure for attachments	Mpa	16
8.3	Oil volume for attachments	l/min	30
8.4	Sound level at driver's ear according to EN 12 053	db(A)	70



Designation	Mast Table FE3R16				Capacity table(kg) C=500mm	
	Lift height h3 (mm)	Free Lift h2 (mm)	Closed mast height h1 (mm)	Extended mast height h4(mm)	Tilt forward/ backward $\alpha/\beta(^{\circ})$	without sideshift single pneumatic tyres
Two-stage ZT	2500	105	1736	3480	3/6	1600
	2700	105	1836	3680	3/6	1600
	3000	105	1986	3980	3/6	1600
	3300	105	2136	4280	3/6	1600
	3500	105	2236	4480	3/6	1600
	3600	105	2336	4680	3/6	1500
	4000	105	2536	4980	3/3	1450
	4300	105	2686	5280	3/3	1350
	4500	105	2786	5480	3/3	1250
	5000	105	3061	5980	3/3	800
Two-stage ZZ	2500	935	1795	3360	3/6	1600
	2700	1035	1895	3560	3/6	1600
	3000	1185	2045	3860	3/6	1600
	3300	1335	2195	4220	3/6	1600
	3600	1485	2345	4460	3/6	1450
	4000	1735	2595	4860	3/3	1400
	4300	1885	2745	5160	3/3	1300
4500	1985	2845	5360	3/3	1200	
Three-stage DZ	4000	1070	1930	4860	3/3	1350
	4350	1185	2045	5210	3/3	1250
	4500	1235	2095	5360	3/3	1150
	4700	1300	2160	5560	3/3	1000
	4800	1335	2195	5660	3/3	900
	5000	1395	2255	5860	3/3	750