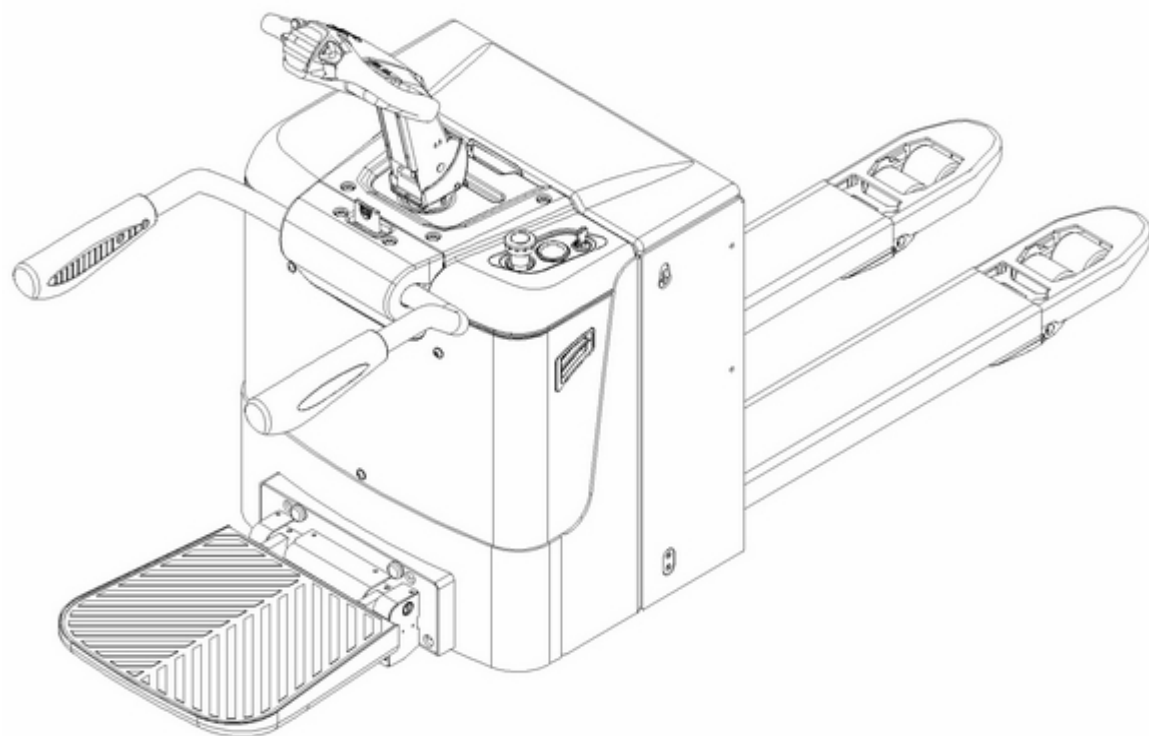


SPAREPARTS LIST

Electric Pallet Truck PT 20



Version 10/2014

From truck identification number:

20130700013

PT 20-BPT-004-EN

Catalogue

Fig.1 Fork frame (for EU).....	3
Fig.2 Fork frame (for US).....	5
Fig.3 Load roller (For EU).....	7
Fig.4 Load roller (For US).....	9
Fig.5 Drive system (Manual steering).....	10
Fig.6 Drive wheel assembly 7EL-AC-1.3.....	12
Fig.7 Drive system (Electrical steering).....	16
Fig.8 AC drive DC steering assembly 26EL-AC-1.3KW-R.....	18
Fig.9 Castor.....	22
Fig.10 Hydraulic system.....	24
Fig.11 Pump.....	26
Fig.12 Cylinder.....	28
Fig.13 Tiller arm.....	29
Fig.14 Tiller.....	31
Fig.15 Battery.....	33
Fig.16 Electrical box components.....	34
Fig.17 Instrument components.....	36
Fig.18 Outline.....	38
Fig.19 Load-backrest assembly (for EU).....	40
Fig.20 Load-backrest assembly (for US).....	41
Fig.21 Battery cover assembly (for EU).....	42
Fig.22 Battery cover assembly (for US).....	43
Fig.23 Micro switch and main wire.....	44
Fig.24 Controller(Manual steering).....	46
Fig.25 Controller(Electric steering).....	48
Fig.26 Platform.....	50
Fig.27 Protective arm assembly.....	52
Fig.28 Main cables(Manual steering).....	54

Fig.29 Main cables(Electric steering)55
Fig.30 Electric steering assembly56
Fig.31 Label (for EU).....58
Fig.32 Label (for US).....59
Easy worn parts list.....60

Fig.1 Fork frame (for EU)

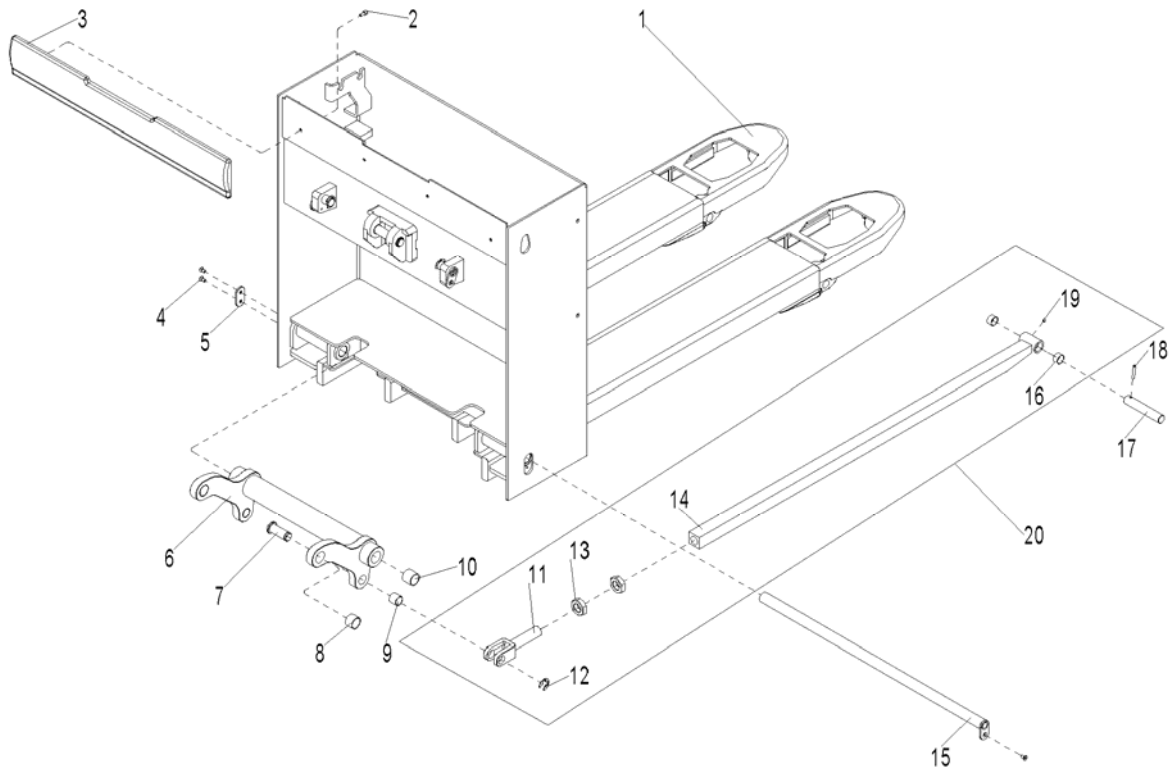


Fig.1 Fork Frame (for EU)

No.	Art No.	Description	Qty.	Note	Standard
1	9000008043	Weld fork frame	1	540×1150	
	9000008905	Weld fork frame	1	685X1150	
2	0000023053	Screw	4	M6×12	GB/T70.1=ISO4762
3	9000008049	Finger protection	1		
4	0000023091	Screw	5	M6×12	GB/T70.3= ISO10642
5	1000504001	Fixing plate	1		
6	9000008044	Rock arm	1	540	
	9000008906	Rock arm	1	685	
7	9000008052	Shaft	1		
8	0000013024	Bushing	2	25×28×20	
9	0000013001	Bushing	2	20×23×20	
10	0000027006	Bushing	2	25×29×25	
11	9000008053	Pushing rod fork	2		
12	0000026001	Circlip	2	15	GB/T896
13	0000024178	Nut	4	M24×1.5	GB/T6173=ISO8675
14	9000008045	Pushing rod	2	1150	
15	9000008048	Rock arm axle fitting	1		
16	0000027005	Bushing	4	20×22×12	
17	9000008055	Pushing rod	2		
18	0000028009	Dowel pin axle	2	5×35	GB/T879.1= ISO2339
19	0000030001	Oil cup	2	6	JB/T7940.4
20	9000010419	Pushing rod kit	2	1150	

Fig.2 Fork frame (for US)

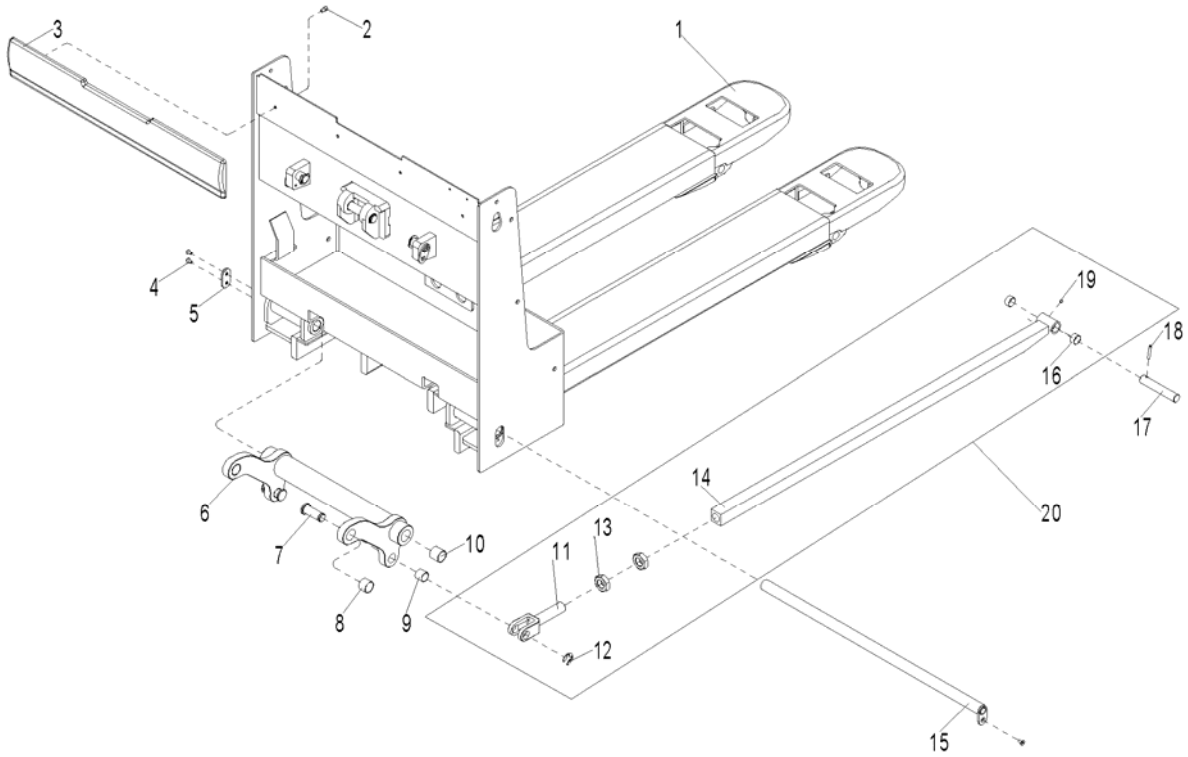


Fig.2 Fork Frame (for US)

No.	Art No.	Description	Qty.	Note	Standard
1	9000008908	Weld fork frame	1	540X1220	
	9000008907	Weld fork frame	1	685X1220	
2	0000023053	Screw	4	M6×12	GB/T70.1=ISO4762
3	9000008049	Finger protection	1		
4	0000023091	Screw	5	M6×12	GB/T70.3= ISO10642
5	1000504001	Fixing plate	1		
6	9000008044	Rock arm	1	540	
	9000008906	Rock arm	1	685	
7	9000008052	Shaft	1		
8	0000013024	Bushing	2	25×28×20	
9	0000013001	Bushing	2	20×23×20	
10	0000027006	Bushing	2	25×29×25	
11	9000008053	Pushing rod fork	2		
12	0000026001	Circlip	2	15	GB/T896
13	0000024178	Nut	4	M24×1.5	GB/T6173=ISO8675
14	9000008909	Pushing rod	2	1220	
15	9000008048	Rock arm axle fitting	1		
16	0000027005	Bushing	4	20×22×12	
17	9000008055	Pushing rod axle	2		
18	0000028009	Dowel pin	2	5×35	GB/T879.1= ISO2339
19	0000030001	Oil cup	2	6	JB/T7940.4
20	9000010420	Push rod kit	2	1220	

Fig.3 Load roller (For EU)

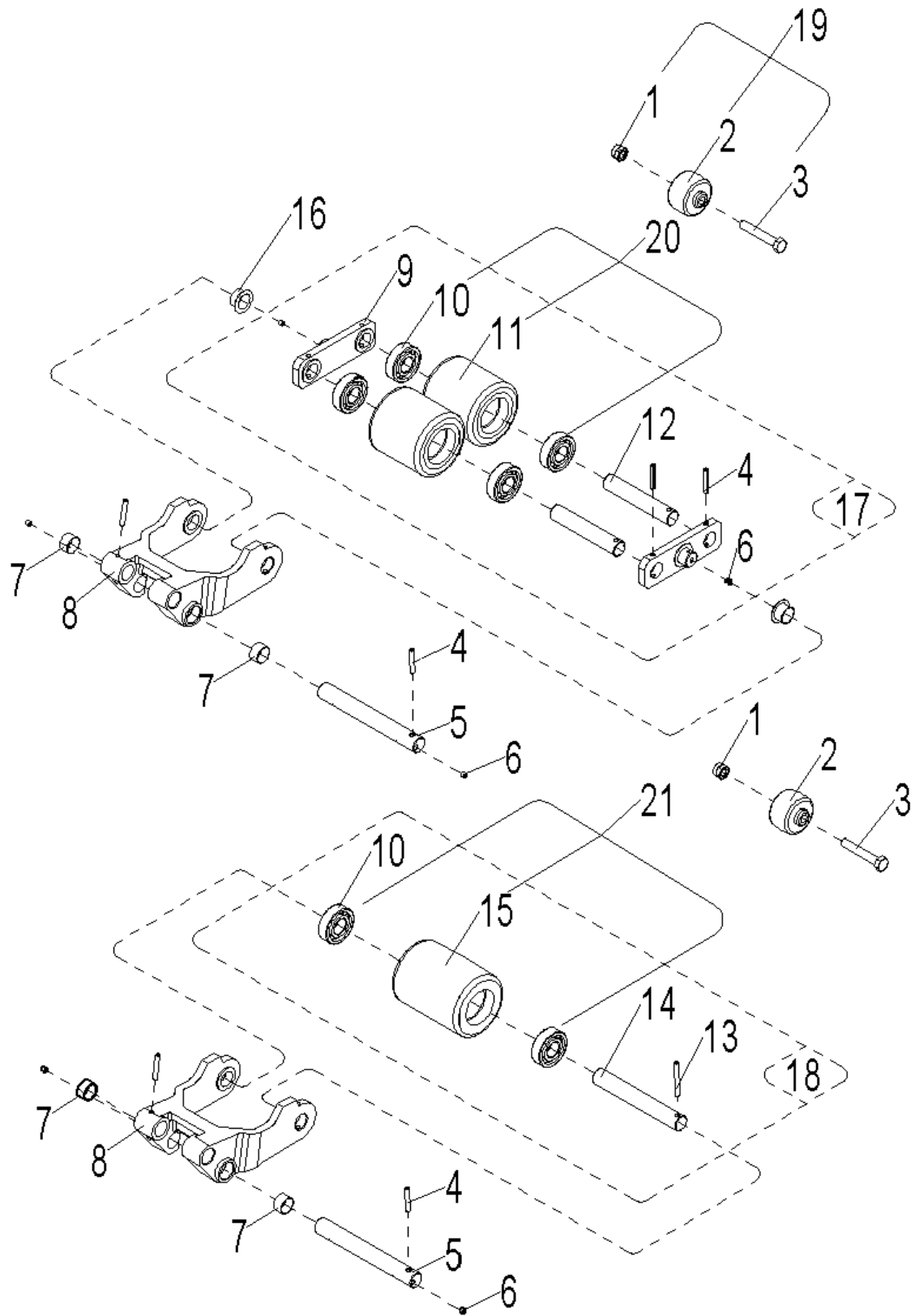


Fig.3 Load Roller (for EU)

No.	Art No.	Description	Qty.	Note	Standard
1	0000023005	Lock nut	2	M10	GB/T889.1=ISO7040
2	1000516001	Enter roller	2		
3	0000023004	Bolt	2	M10×60	GB/T5782=ISO4014
4	0000028009	Dowel pin	6/2(D/S)	5×35	GB/T879.1=ISO8752
5	9000008056	Shaft for lever block	2		
6	0000030001	Oil cup	2	6	JB/T7940.4
7	0000027005	Bushing	4	20×22×12	
8	9000008054	Frame for load roller	2		
9	9000008077	Linking plate	4		
10	0000027001	Bearing	8/4(D/S)	6204	GB/T276=ISO3290
11	9000008791	Load roller	4(D)	84×84	
12	9000008076	Spindle	4(D)		
13	0000028115	Dowel pin	2(S)	5×50	GB/T879.1=ISO8752
14	9000008227	Shaft for wheel	2(S)		
15	9000007766	Load roller	2(S)	82×110	
16	9000002333	Shoulder harness	4(D)	18×20×12	
17	9000008913	Load roller assembly	2		
18	9000008914	Load roller assembly	2		
19	9000010400	Roller kit	2		
20	9000010421	Wheel set kit	4		
21	9000010422	Wheel set kit	2		

Fig.4 Load roller (For US)

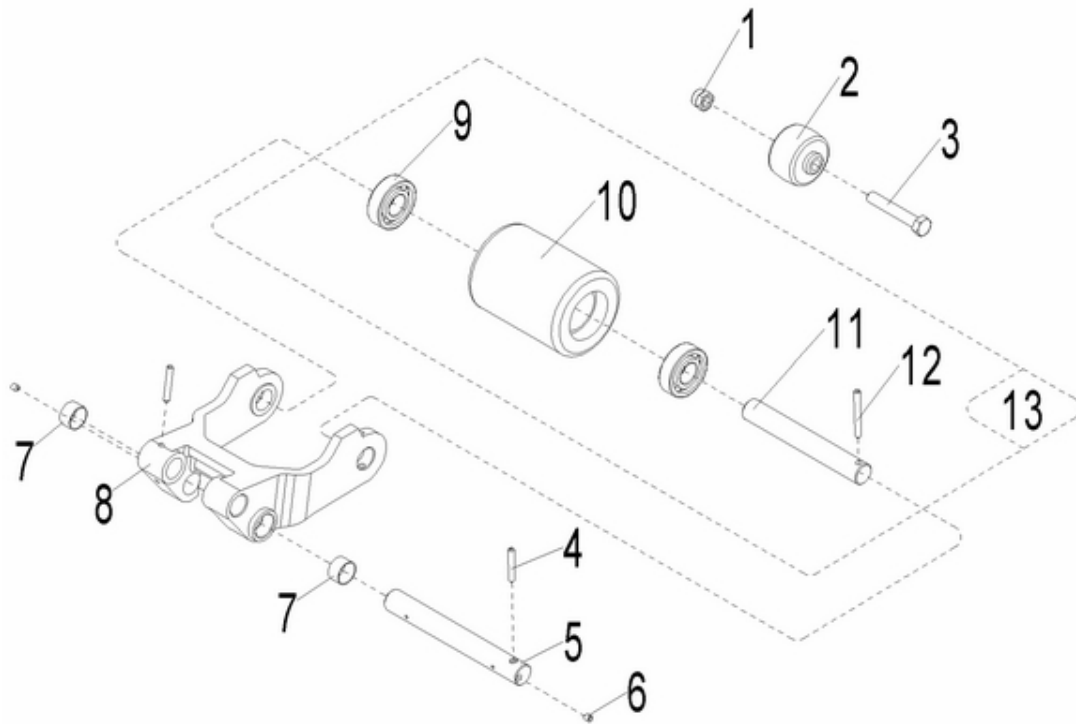


Fig.4 Load Roller (for US)

No.	Art No.	Description	Qty.	Note	Standard
1	0000023005	Lock nut	2	M10	GB/T889.1=ISO7040
2	1000516001	Enter roller	2		
3	0000023004	Bolt	2	M10×60	GB/T5782=ISO4014
4	0000028009	Dowel pin	2	5×35	GB/T879.1=ISO8752
5	9000008056	Shaft for lever block	2		
6	0000030001	Oil cup	2	6	JB/T7940.4
7	0000027005	Bushing	4	20×22×12	
8	9000008915	Frame for load roller	2		
9	0000027001	Bearing	4	6204	GB/T276=ISO3290
10	9000007766	Load roller	2	82×110	
11	9000008227	Shaft for roller	4		
12	0000028115	Dowel pin	2	5×50	GB/T879.1=ISO8752
13	9000008914	Load roller assembly	2		

Fig.5 Drive system (Manual steering)

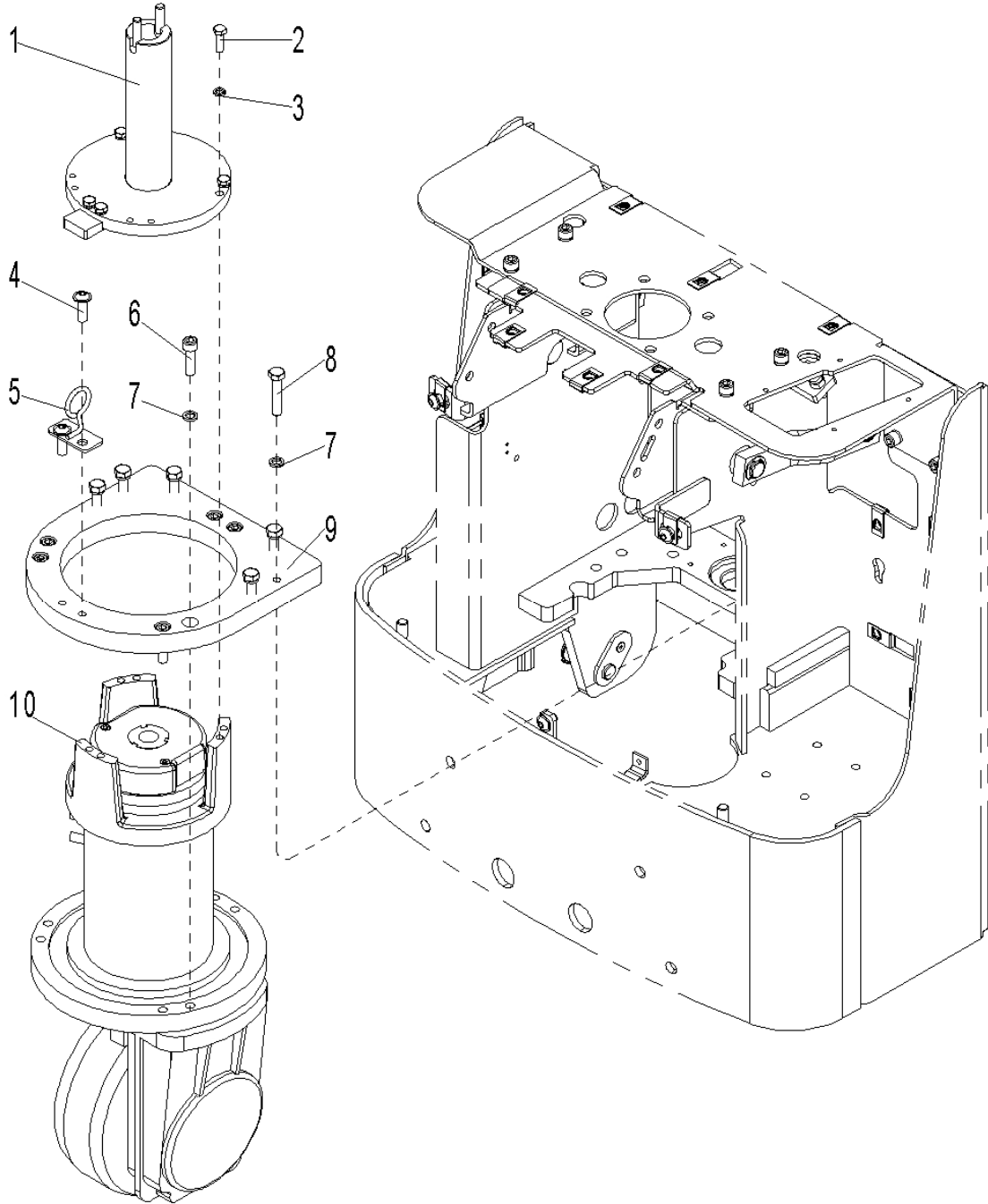


Fig.5 Drive system (Manual steering)

No	Art No.	Description	Qty.	Note	Standard
1	9000008073	Tiller axle components	1		
2	0000023766	Bolt	6	M8×25	GB/T5782=ISO4014
3	0000025001	Washer	6	8	GB/T93
4	1000423003	Screw	2	M10×30	
5	1020202001	Cable fixing frame	1		
6	0000023029	Screw	6	M10×35	GB/T70.1=ISO4762
7	0000023006	Washer	12	10	GB/T93
8	0000023225	Bolt	6	M10×50	GB/T5783=ISO4017
9	9000008074	Drive wheel assembly plate	1		
10	9000007774	Drive wheel	1	7EL-AC-1.3	

Fig.6 Drive wheel assembly 7EL-AC-1.3

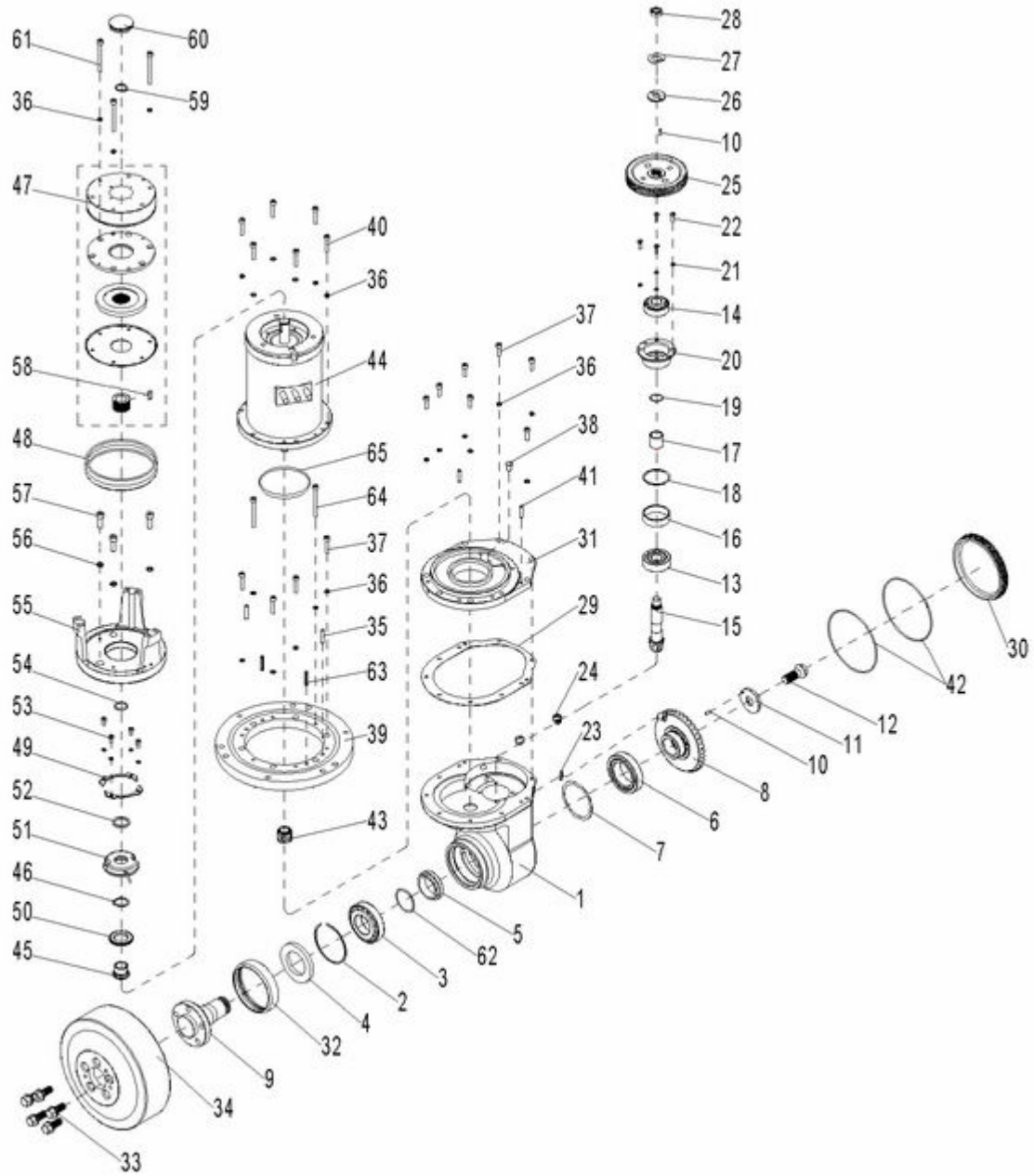
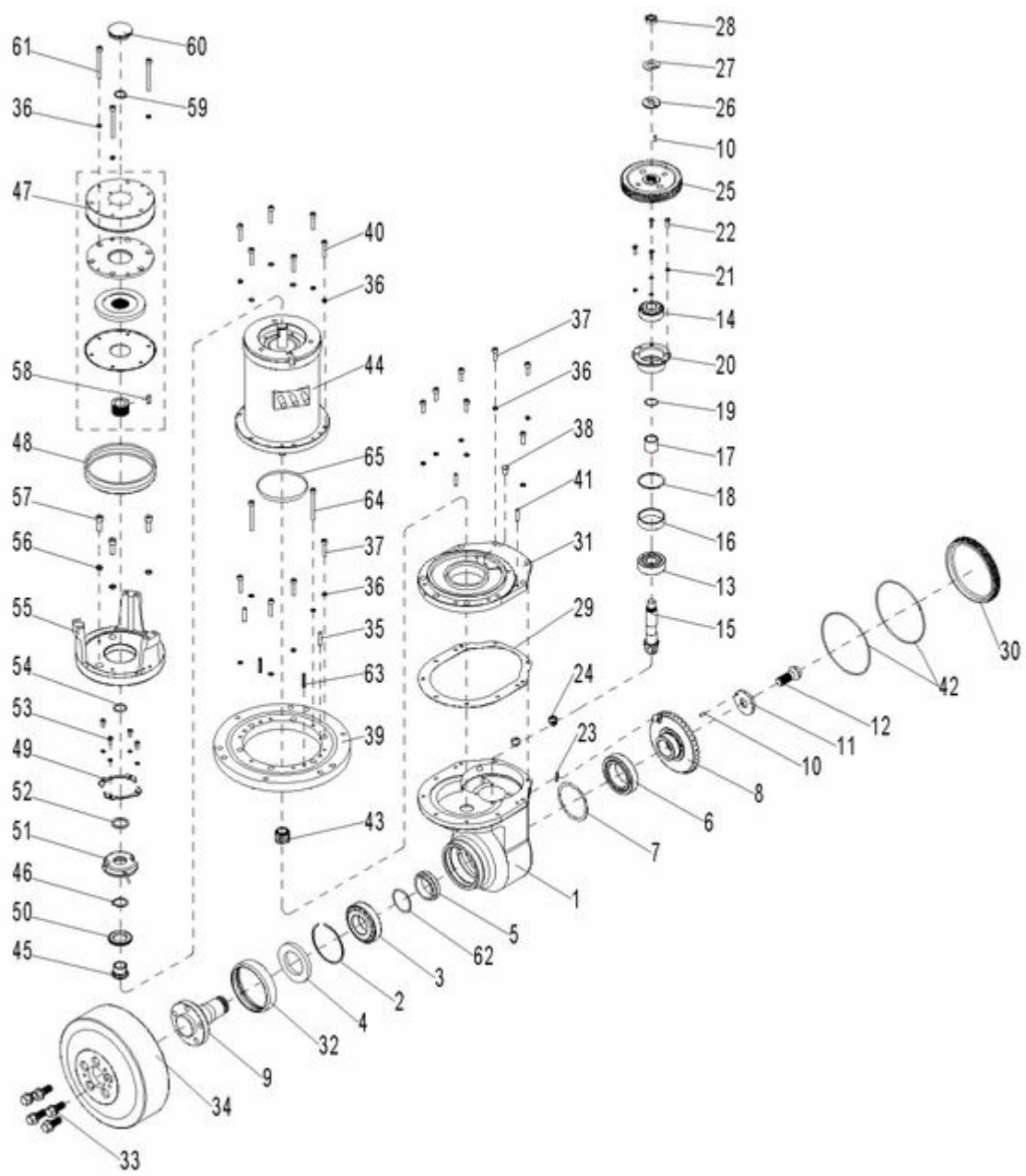


Fig. 6 Drive Wheel Assembly 7EL-AC-1.3

No.	Parts No.	Item	Qty.	Note	Standard
1	9000009493	Gear box	1		
2	9000009494	Circlip	1		
3	0090000116	Bearing	1	30208	GB/T297
4	0090000505	Oil seal	1	50×80×8	GB/T9877
5	9000009496	Bushing	1		
6	0000027031	Bearing	1	32010	GB/T297
7	9000009497	Adjusting washer	1		
8	9000009498	Gear	1		
9	9000009499	Drive wheel	1		
10	0090000117	Dowel pin	2	4×12	GB/T119.1
11	9000009500	Circlip	1		
12	9000009501	Bolt	1		
13	0090000502	Bearing	1	32304	GB/T297
14	0090000503	Bearing	1	32204	GB/T297
15	9000009502	Gear	1		
16	9000009503	Outer thimble	1		
17	9000009504	Inner thimble	1		
18	9000009505	Adjusting washer	1		
19	9000009506	Adjusting washer	1		
20	9000009507	Bearing seat	1		
21	0000025012	Washer	8	5	GB/T93
22	0000023675	Screw	4	M5×16	GB/T70.2=ISO7380
23	0000022036	Combination washer	3	12	JB/T982
24	0090000506	Plug	3	M12×1.25	JB/ZQ4444
25	9000009508	Big gear	1		
26	9000009509	Washer	1		
27	0000025066	Washer	1	14	GB/T856
28	0090000090	Nut	1	M14×1.5	GB/T6173=ISO8675
29	9000009510	Washer	1		
30	9000009511	Side cover	1		
31	9000009512	Upper cover	1		
32	9000009513	Dust cover	1		



33	9000009514	Bolt	5		
34	9000009515	Drive wheel	1		
35	0000028027	Dowel pin	2	6×30	GB/T119.1
36	0000025006	Washer	22	6	GB/T93
37	0000023020	Screw	11	M6×20	GB/T70.1=ISO4762
38	9000009495	Vent plug	1		
39	9000009516	Rotating support	1		
40	0000023106	Screw	6	M6×30	GB/T70.1=ISO4762
41	0090000504	Dowel pin	2	6×26	GB/T119.1
42	0000022037	O seal ring	2	125×2.65	GB/T3452.1=ISO3601
43	9000009517	Small gear	1		
44	9000009518	Drive motor	1		
45	9000009519	Shaft sleeve	1		
46	0000026013	Circlip	1	25	GB/T894.1
47	9000009520	Brake	1		
48	9000009521	Dust cover	1		
49	9000009522	Flange	2		
50	9000009523	Speed sensor gear	1		
51	9000009524	Speed sensor	1		
52	9000009525	Spacer	1		
53	0000023311	Screw	4	M5×10	GB/T70.1=ISO4762
54	0000022059	O seal ring	1	20×2.65	GB/T3452.1=ISO3601
55	9000009526	Bracket	1		
56	0000025001	Washer	3	8	GB/T93
57	0000023047	Screw	3	M8x25	GB/T70.1=ISO4762
58	0000036003	Flat key	1	A 6×18	GB/T1096
59	0000026003	Circlip	1	20	GB/T894.1
60	9000009527	Dust cover	1		
61	0000023563	Screw	3	M6×65	GB/T70.1=ISO4762
62	9000009528	Adjusting washer	1		
63	0000028137	Dowel pin	2	6×30	GB/T879.1=ISO8752
64	0090000321	Screw	2	M6×45	GB/T70.1=ISO4762
65	0000022038	O seal ring	1	65×2.65	GB/T3452.1=ISO3601

Fig.7 Drive system (Electrical steering)

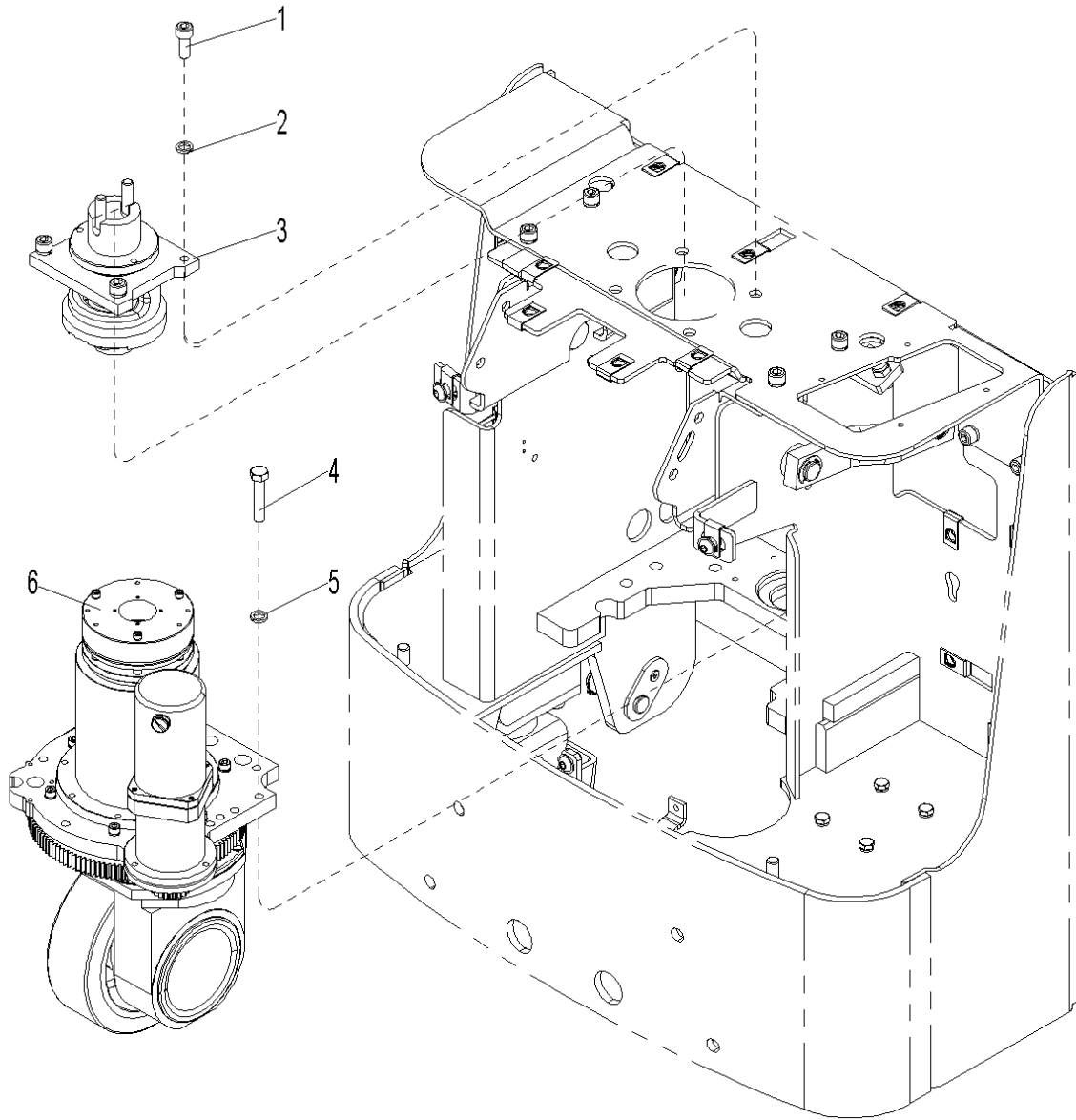


Fig.7 Drive system (Electrical steering)

No.	Art No.	Description	Qty.	Note	Standard
1	0000023034	Screw	4	M10×20	GB/T70.1=ISO4762
2	0000025002	Washer	4	10	GB/T95
3	9000007686	Electrical steering components	1		
4	0000023225	Bolt	6	M10×50	GB/T5783=ISO4017
5	0000023006	Washer	6	10	GB/T93
6	9000007779	Drive wheel assembly	1	26EL-AC-1.3KW-R	

Fig.8 AC drive DC steering assembly 26EL-AC-1.3KW-R

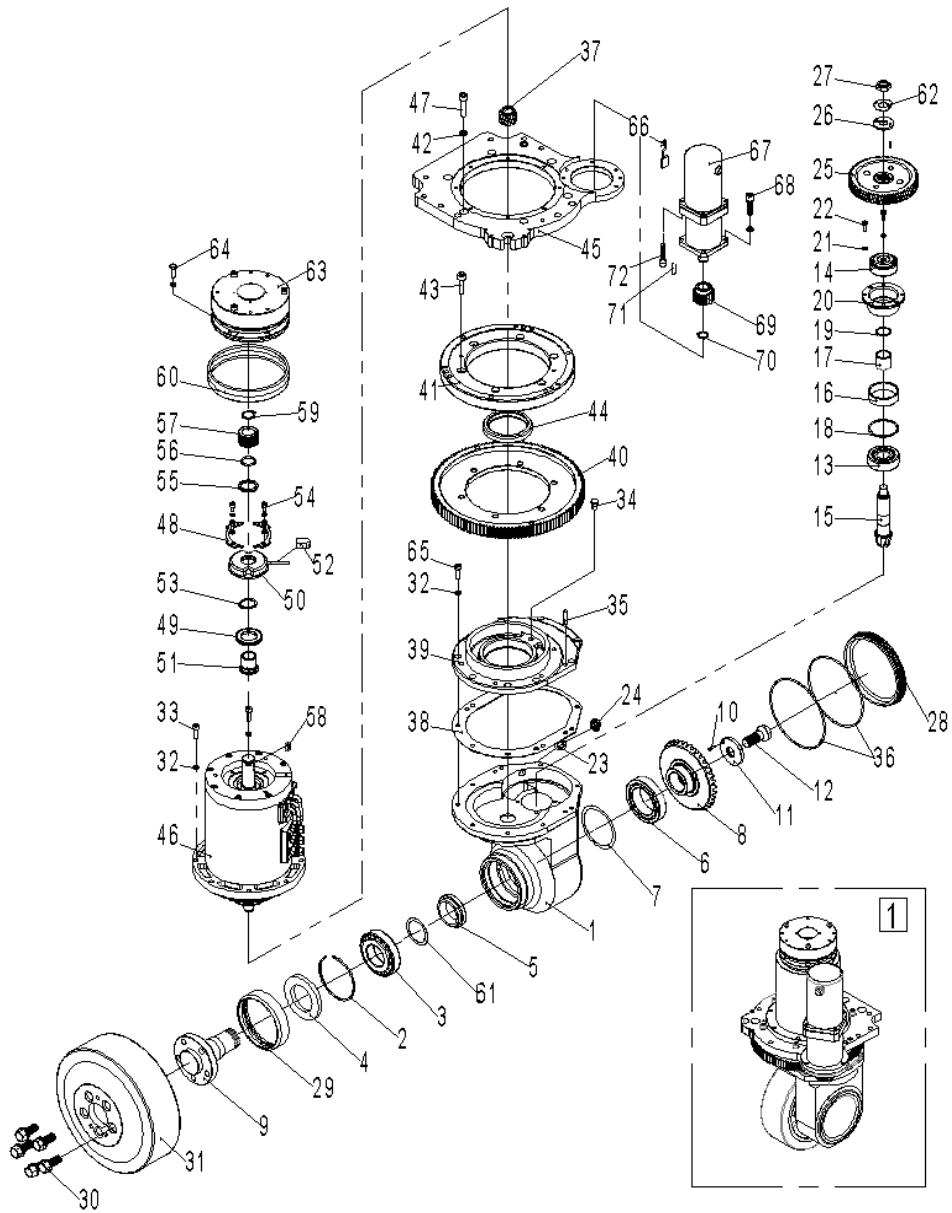
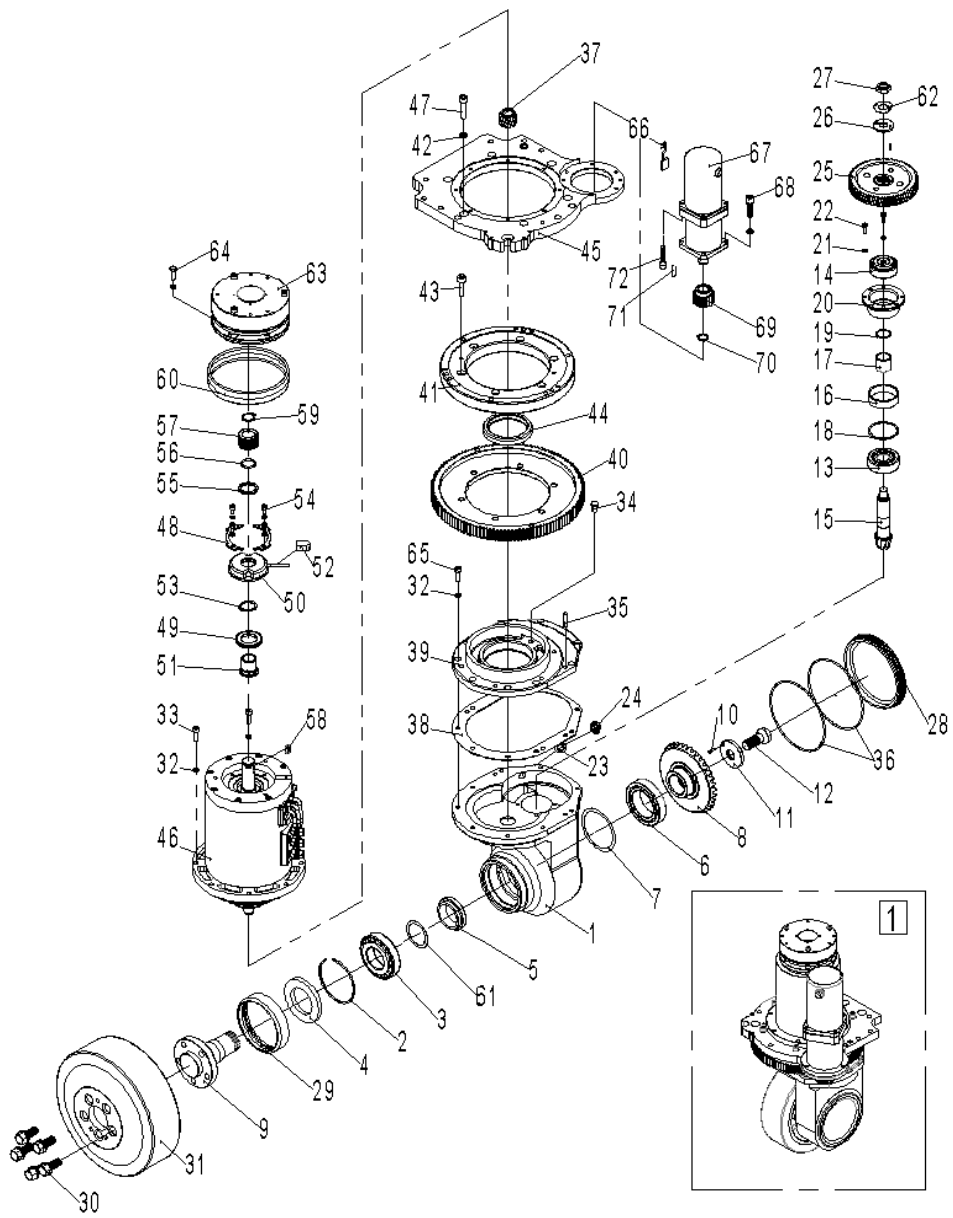


Fig. 8 AC Drive DC Steering Assembly 26EL-AC-1.3KW-R

No.	Parts No.	Item	Qty.	Note	Standard
1	9000009493	Gear box	1		
2	9000009494	Circlip	1		
3	0090000116	Bearing	1	30208	GB/T297
4	0090000505	Oil seal	1	50x80x8	GB/T9877
5	9000009496	Bushing	1		
6	0000027031	Bearing	1	32010	GB/T297

7	9000009497	Adjusting washer	1		
8	9000009498	Gear	1		
9	9000009499	Drive shaft	1		
10	0090000117	Dowel pin	2	4x12	GB/T119.1
11	9000009500	Circlip	1		
12	9000009501	Lock bolt	1	M16x50	
13	0090000502	Bearing	1	32304	GB/T297
14	0090000503	Bearing	1	32204	GB/T297
15	9000009502	Gear	1		
16	9000009503	Outer sleeve	1		
17	9000009504	Inner sleeve	1		
18	9000009505	Adjusting washer	1		
19	9000009506	Adjusting washer	1		
20	9000009507	Bearing seat	1		
21	0000025015	Washer	8	5	GB/T93
22	0000023107	Screw	4	M5x16	GB/T70.1=ISO4762
23	0000022036	Combination washer	3	12	JB/T982
24	0090000506	Bolt	3	M12x1.25	JB/ZQ4444
25	9000009508	Big gear	1		
26	9000009509	Washer	1		
27	0090000090	Nut	1	M14	GB/T6173=ISO8675
28	9000009511	Side cover	1		
29	9000009513	Dust cover	1		
30	9000009514	Bolt	5		
31	9000009515	Drive wheel	1		
32	0000025010	Washer	20	6	GB/T93
33	0000023106	Screw	8	M6x30	GB/T70.1=ISO4762
34	9000009495	Vent plug	1		
35	0090000504	Dowel pin	2	6x30	GB/T119.1
36	0000022037	O ring	2	125x2.65	GB/T3452.1=ISO3601
37	9000009517	Small gear	1		
38	9000009824	Paper pad	1		
39	9000009825	Upper cover	1		



40	9000009826	Steering big gear	1		
41	9000009745	Rotating bearing	1		
42	0000025001	Washer	6	8	GB/T93
43	0000023455	Screw	6	M8x35	GB/T70.18
44	0090000151	Oil seal	1		GB/T9877
45	9000009532	Assembly board	1		
46	9000009827	Motor	1		
47	0000023172	Screw	6	M8x30	GB/T70.1=ISO4762
48	9000009522	Lock flange	2		
49	9000009523	Speed sensor gear	1		
50	9000009524	Speed sensor	1		
51	9000009748	Bearing	1		
52	9000008854	Bushing	1		
53	0000026013	Circlip	1	25	GB/T894.1
54	0000023311	Screw	4	M5x10	GB/T70.1=ISO4762
55	9000009525	Spacer	1		
56	0000022059	O seal ring	1	20x2.65	GB/T3452.1=ISO3601
57	9000009749	Bushing	1		
58	0000036010	Flat key	1	6x16	GB/T1096
59	0000026003	Circlip	1	20	GB/T894.1
60	9000009521	Dust cover	1		
61	9000009528	Adjusting washer	1		
62	0000025066	Washer	1	14	GB/T856
63	9000009750	Break	1		
64	0090000526	Bolt	3	M6x20	GB/T5782=ISO4014
65	0000023020	Screw	9	M6x20	GB/T70.1=ISO4762
66	9000006304	Steering carbon brush	1		
67	9000009726	Steering motor	1		
68	0090000119	Screw	8	M6x22	GB/T70.1=ISO4762
69	9000009828	Steering small gear	1		
70	0000026040	Circlip	1	22	GB/T894.1
71	0090000118	Flat key	1	6x28	GB/T10963
72	0000023106	Screw	12	M6x30	GB/T70.1=ISO4762

Fig.9 Castor

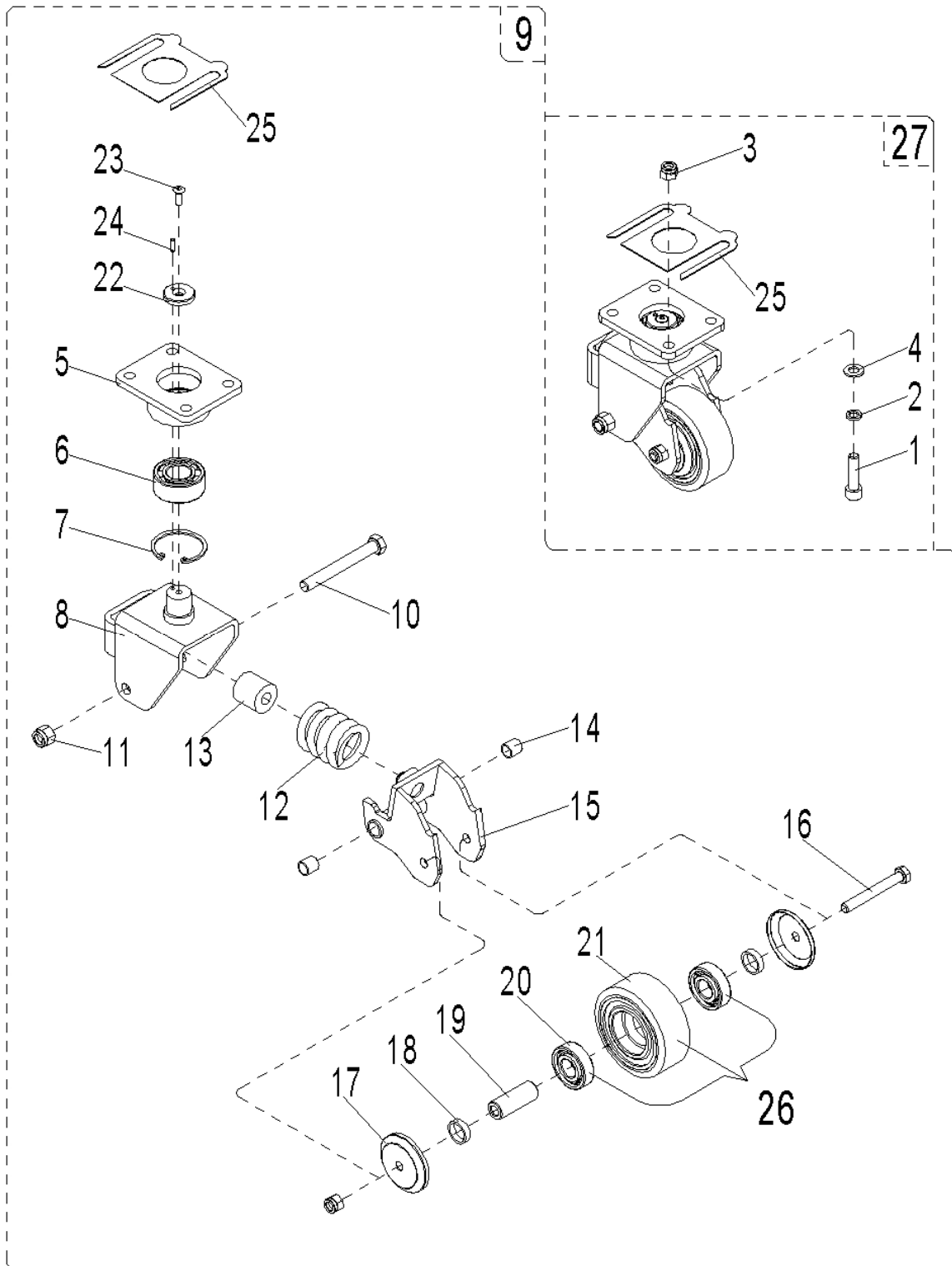


Fig.9 Castor

No.	Art No.	Description	Qty.	Note	Standard
1	0000023025	Screw	8	M10×40	GB/T70.1=ISO4762
2	0000023006	Washer	8	10	GB/T93
3	0000023005	Lock nut	10	M10	GB/T889.1=ISO7040
4	0000025002	Washer	8	10	GB/T95
5	1000401007	Linking plate	2		
6	0000027002	Bearing	2	3056205	GB/T296
7	0000026002	Circlip	2	52	GB/T893.1
8	1000401006	Wheel frame	2		
9	1000400005	Steering wheel	2		
10	1000423004	Screw	2	M12×100	
11	0000024006	Lock nut	2	M12	GB/T889.1=ISO7040
12	1000431001	Spring	2	∅9 L62	
13	1000419001	Polyurethane spring	2		
14	1000413002	Bushing	4	12×15×15	
15	1000401008	Rotating arm	2		
16	0000023035	Bolt	2	M10×80	GB/T5782=ISO4014
17	1000404023	Dust cover	4		
18	1000425003	Washer	4		
19	1000402005	Shaft sleeve	2		
20	0000027001	Bearing	4	6204	GB/T276=ISO3290
21	1000403008	Castor	2	100×40	
22	1000426001	Circlip	2		
23	1000523002	Screw	2	M6×14	
24	0000028004	Dowel pin	2	4×14	GB/T119.2=ISO2338
25	1000404031	Adjusting washer		1mm	
	1000404032	Adjusting washer		0.5mm	
26	9000008903	Wheel set kit	2		
27	9000010423	Steering wheel kit	2		

Fig.10 Hydraulic system

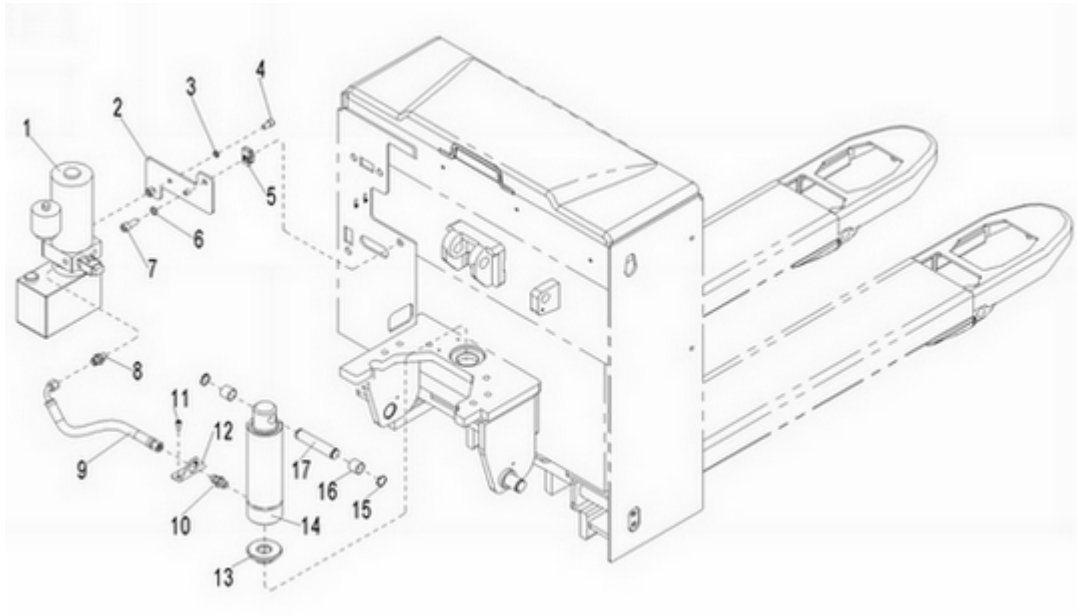


Fig.10 Hydraulic system

No.	Art No.	Description	Qty.	Note	Standard
1	1020300002	DC power unit	1		
2	9000008068	Pump assembly plate	1		
3	0000025001	Washer	2	8	GB/T93
4	0000023067	Screw	2	M8×16	GB/T70.1=ISO4762
5	9000007783	Nut	2	M10	
6	0000023006	Washer	2	10	GB/T93
7	0000023088	Screw	2	M10×25	GB/T70.1=ISO4762
8	9000006021	Straight joint	1		
9	9000007823	Tube	1		
10	9000007843	Straight joint	1		
11	0000023053	Screw	2	M6×12	GB/T70.1=ISO4762
12	1020404005	Cylinder fixing frame	1		
13	9000008221	Cylinder seat	1	For EU	
	9000008910	Cylinder seat	1	For US	
14	1020300001	Cylinder components	1		
15	0000026003	Circlip	2	20	GB/T894.1
16	0000013001	Bushing	2	20×23×20	
17	1020407001	Cylinder pin roll	1		

Fig.11 Pump

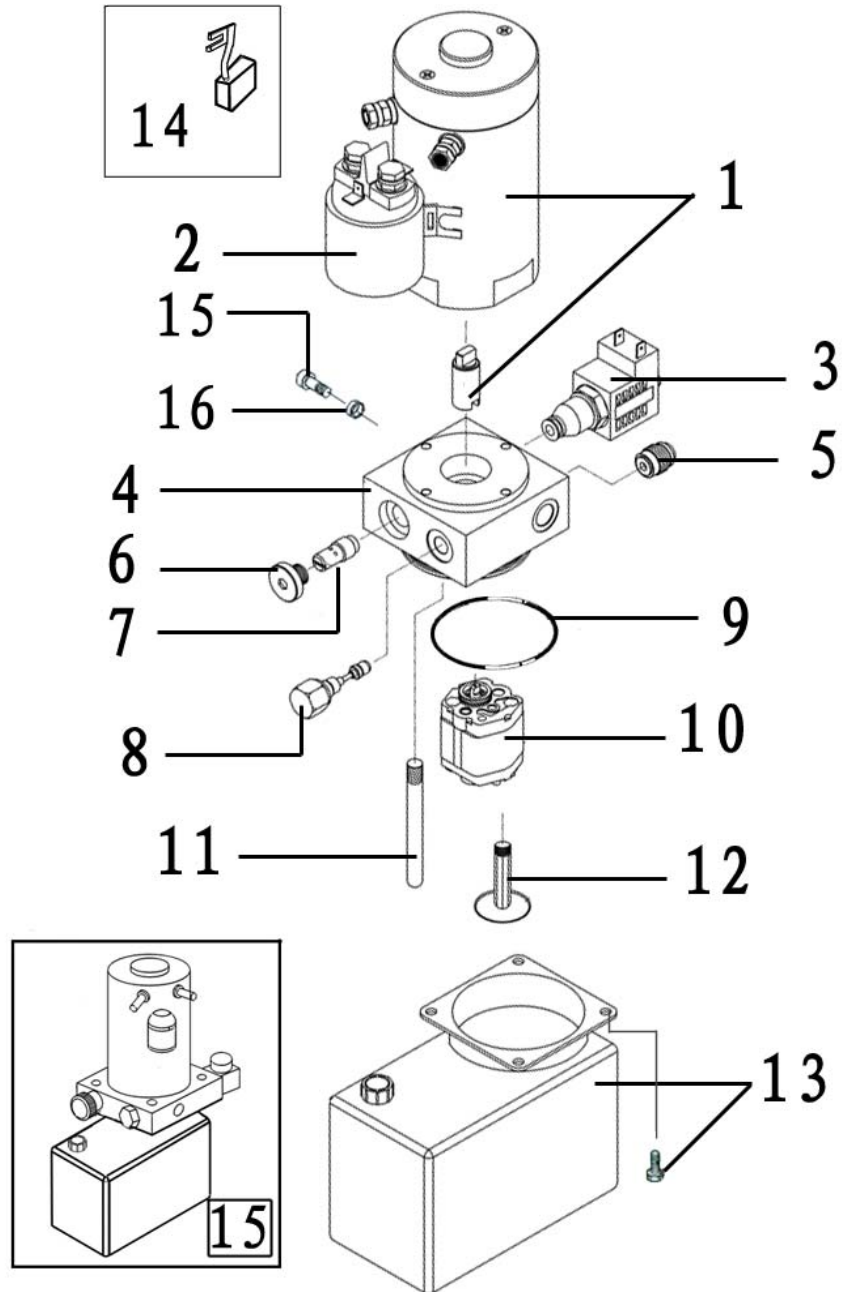


Fig.11 Pump

No.	Art No.	Description	Qty.	Note	Standard
1	1020334001	Motor	1		
2	1020334002	Pump contactor	1		
3	1020334003	Solenoid valve	1		
4	1020315001	Valve	1		
5	1020337001	Check valve	1		
6	1020323001	Plug	1		
7	1020337002	Flow control valve	1		
8	1020337003	Overflow valve	1		
9	1020322001	O-ring	1		
10	1020337004	Gear pump	1		
11	1020317003	Oil elbow	1		
12	1020317004	Oil suction tube components	2		
13	1020337005	Cylinder components	1		
14	1020337006	Carbon brush components	1		
15	0000023180	Bolt	2	M8x40	GB/T5783=ISO4017
16	1020402001	Spacer	2	∅9×∅16×22	

Fig.12 Cylinder

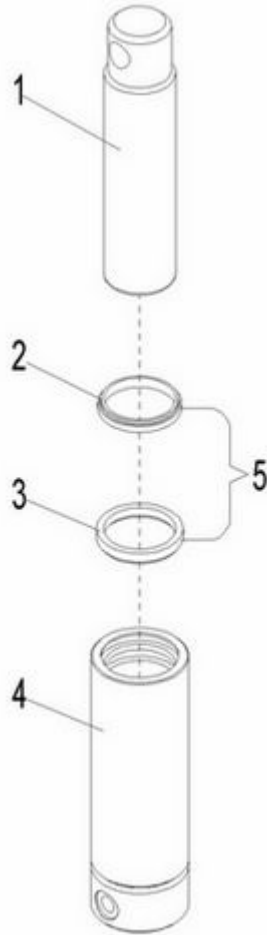


Fig.12 Cylinder

No.	Art No.	Description	Qty.	Note	Standard
1	1020300003	Piston rod	1	Ø50×175	
2	0000022031	Dust ring	1	50×58×6.5	GB/T10708.3
3	0000022112	Y-ring	1	50×60×8	GB/T10708.1
4	1020301001	Cylinder body	1		
5	9000003639	Seal kit	1		

Fig.13 Tiller arm

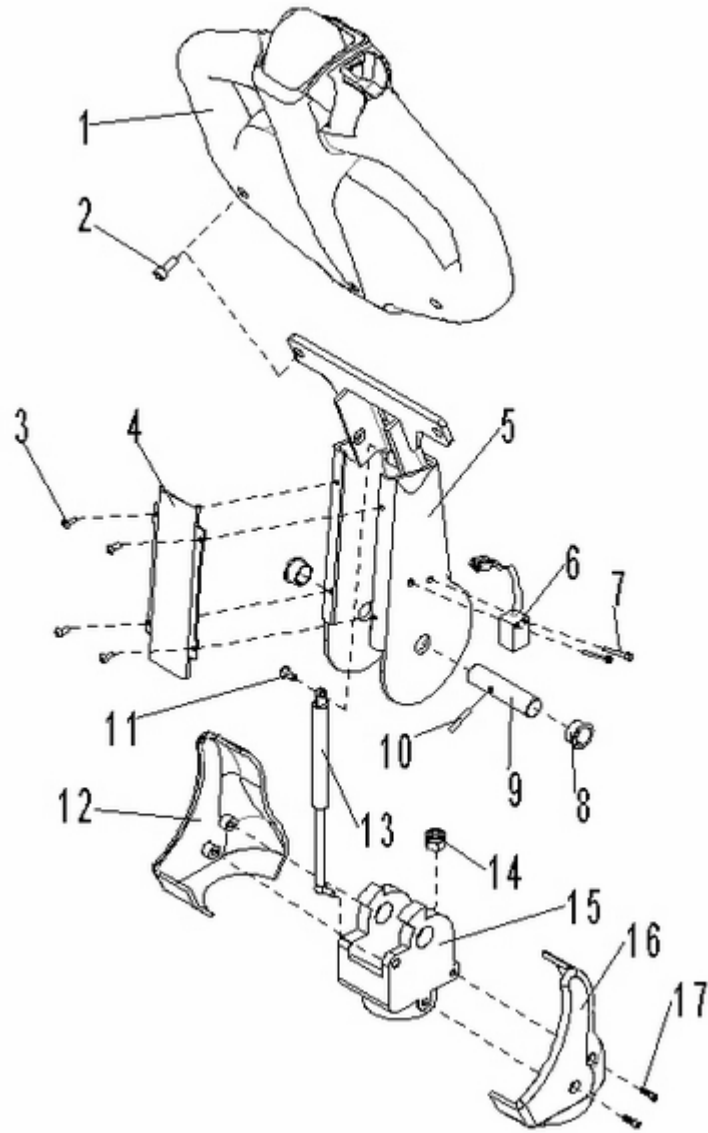


Fig.13 Tiller arm

No.	Art No.	Description	Qty.	Note	Standard
1	1100100001	Canbus Handle C	1	94300-90	
2	0000023232	Bolt	2	M8×25	GB/T5783=ISO4017
3	1000123003	Screw	4	M4×8	GB/T70.2=ISO7380
4	9000007926	Cover	1		
5	9000007925	Welded tiller arm	1		
6	9000002319	Proximity switch	1	NBN5-FT-E2	
7	0000023075	Screw	2	M3×20	GB/T70.1=ISO4762
8	1000113001	Shoulder harness	2	17×19×11	
9	9000007928	Tiller shaft	1		
10	0000028003	Dowel pin	1	4×24	GB/T879.1=ISO8752
11	1000123001	Screw	1	M8×20	GB/T70.1=ISO4762
12	9000007930	Left tiller cover	1		
13	1010121001	Air spring	1	400N	
14	0000023005	Lock nut	2	M10	GB/T889.1=ISO7040
15	9000007929	Tiller seat	1		
16	9000007931	Right tiller cover	1		
17	0000023519	Screw	4	M6×10	GB/T70.2=ISO7380

Fig.14 Tiller

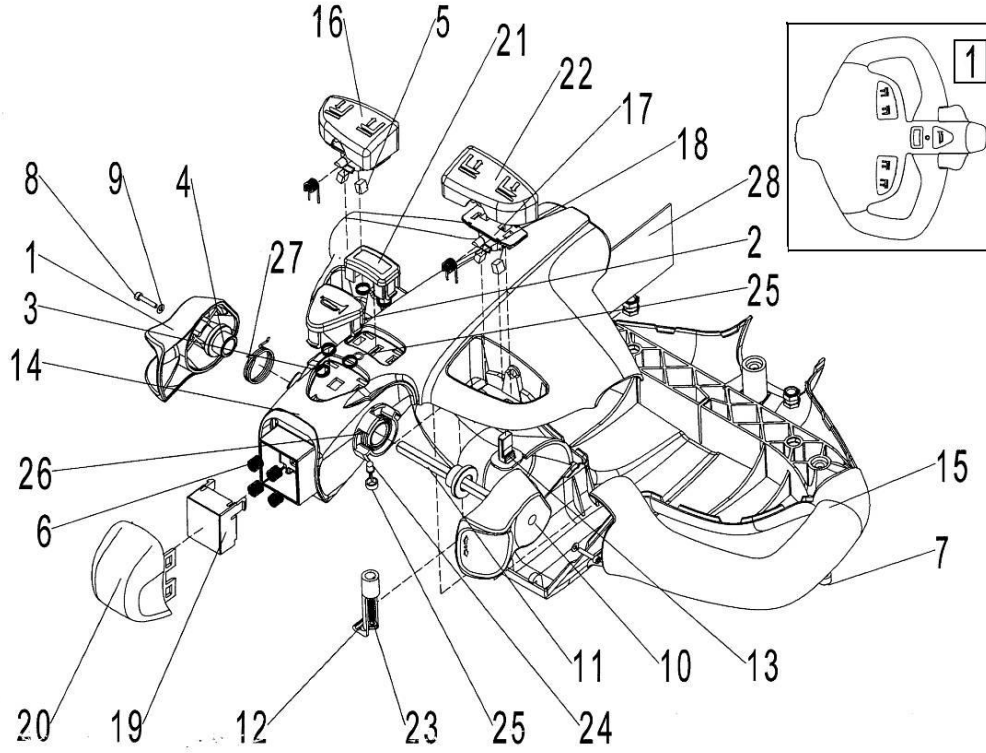


Fig.14 Tiller

No.	Art No.	Description	Qty.	Note	Standard
1	1010114001	Left drive knob	1		
2	1000114015	Horn button	1		
3	1000131009	Horn button spring	5		
4	1000113004	Camshaft bushing	2		
5	1000137001	Magnet body	4	▲	
6	1000131010	Spring	4		
7	0000023058	Screw	3	M6×10	GB/T70.1=ISO4762
8	0000023057	Screw	2	M3×16	GB/T70.1=ISO4762
9	0000025017	Washer	2	3	GB/T95
10	1010114003	Right drive knob	1		
11	1000107002	Shaft for drive knob	1		
12	1000137002	PCB clip	1		
13	1000134005	Sensor	2		
14	1000103012	Upper part of handle	1		
15	1000103013	Lower part of handle	1		
16	1000114017	Left button	1		
17	1000137003	Fixing seat for magnet	2		
18	1000131011	Torsional spring	2		
19	1000114018	Emergency changeover seat	1		
20	1000114020	External cover for emergency changeover	1		
21	1000114021	External cover for option switch	1		
22	1000114022	Right button	1		
23	0000023060	Screw	1	ST4.2× 25	
24	1000134006	LED bi-colour light	1		
25	1000103014	LED bi-colour light seat	1		
26	1000131012	Right driving knob torsional spring	1		
27	1000131013	Left driving knob torsional spring	1		
28	1100135001	PCB	1		

Fig.15 Battery

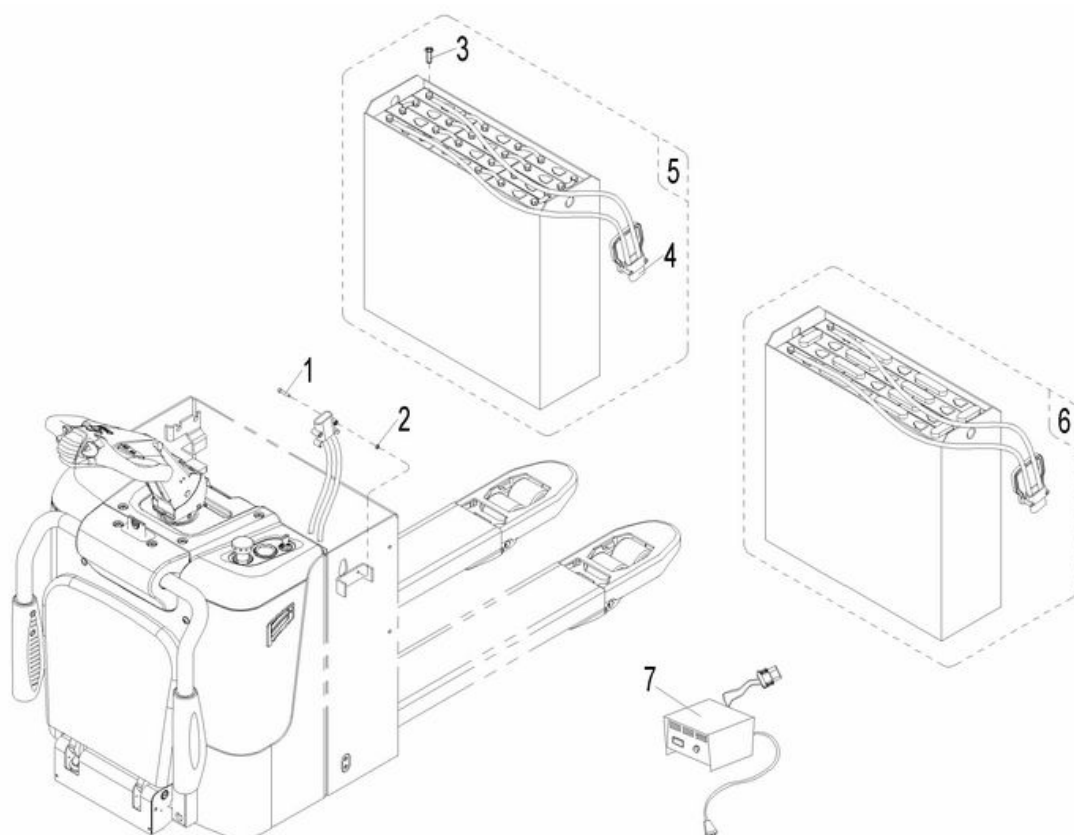


Fig.15 Battery

No.	Art No.	Description	Qty.	Note	Standard
1	0000023090	Screw	2	M6×35	GB/T70.1=ISO4762
2	0000024068	Nut	2	M6	GB/T6170= ISO4032
3	9000009832	Screw M10X22	24	Only for bolt type battery	
4	9000008585	Connector	1	Only for bolt type battery	
5	9000003990	Power supply	1	Bolt type	
6	9000009083	Power supply	1	Welded type	
7	9000010116	Charger 24V/30A	1	Asia in Chinese	
	9000010117	Charger 24V/30A	1	Asia in English	
	9000010118	Charger 24V/30A	1	For EU	
	9000010120	Charger 24V/30A	1	For AUS	
	9000010121	Charger 24V/30A	1	For UK	
	9000010146	Charger 24V/30A	1	For USA	

Fig.16 Electrical box components

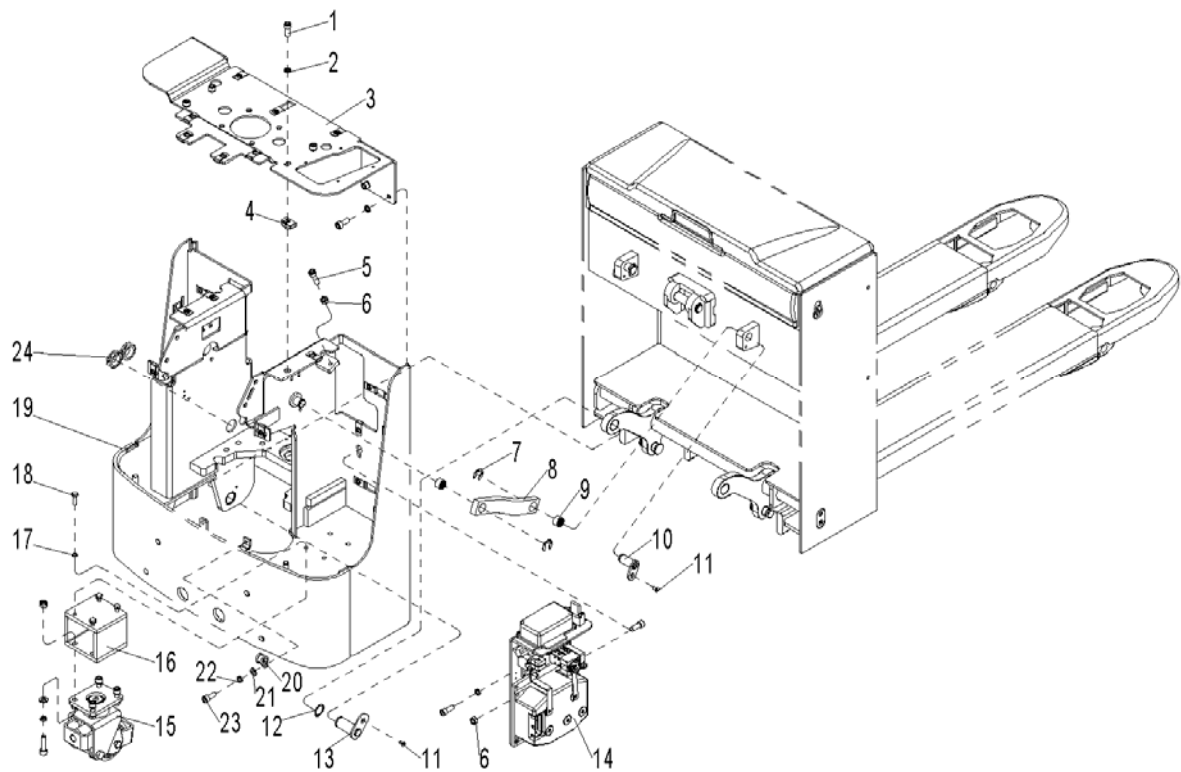


Fig.16 Electrical box components

No.	Art No.	Description	Qty.	Note	Standard
1	0000023088	Screw	13	M10×25	GB/T70.1=ISO4762
2	0000023006	Washer	25	10	GB/T93
3	9000008066	Top board	1		
4	9000007783	Nut	10	M10	

5	0000023025	Screw	4	M10×40	GB/T70.1=ISO4762
6	0000024013	Nut	5	M10	GB/T6170= ISO4032
7	0000026001	Circlip	2	15	GB/T896
8	9000008060	Connecting rod	2		
9	1000413001	Bushing	4	20×23×15	
10	9000008051	Fixed axle components	2		
11	0000023091	Screw	4	M6×12	GB/T70.3= ISO10642
12	0000026003	Circlip	2	20	GB/T894.1
13	9000008070	Fixed axle components	2		
14	9000008447	Controller components	1		
15	1000400005	Steering wheel components	2		
16	9000010560	Castor seat	2	ZG270-500	
17	0000025001	Washer	8	8	GB/T93
18	0000023766	Bolt	8	M8×25	GB/T5782=ISO4014
19	9000008059	Welded truck body	1		
20	9000009545	YGE hose clamp	1		
21	0000023055	Washer	1	6	GB/T95
22	0000025010	Washer	1	6	GB/T93
23	0000023053	Screw	1	M6x12	GB/T70.1=ISO4762
24	2210418003	Bushing	2		

Fig.17 Instrument components

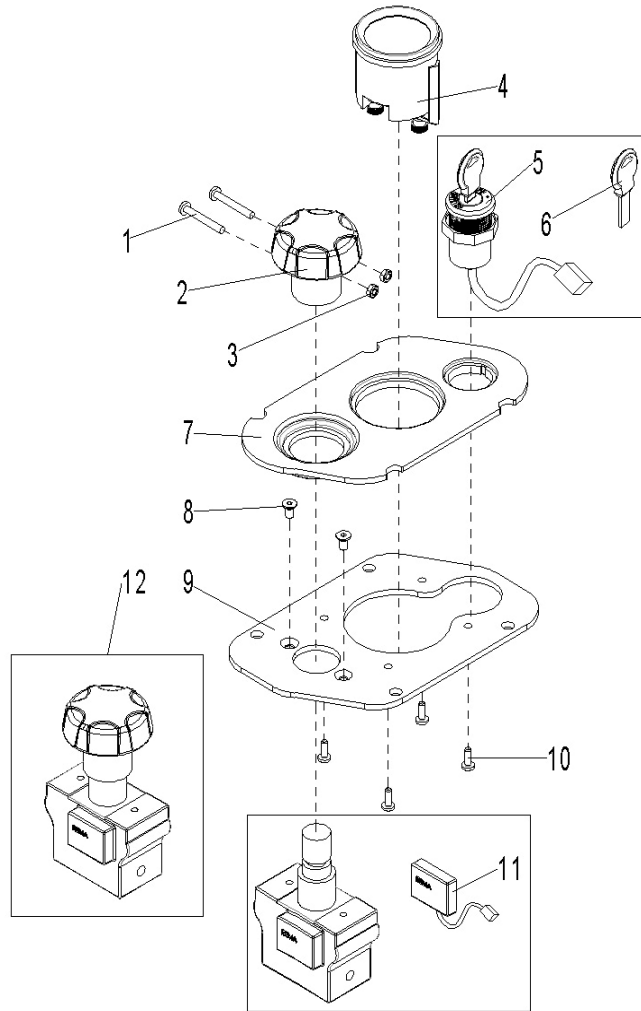


Fig.17 Instrument Components

No.	Art No.	Description	Qty.	Note	Standard
1	0000023685	Screw	2	M3×25	GB/T818=ISO7045
2	9000008516	DC power switch	1	ZDK32-350	
3	0000024002	Nut	2	M3	GB/T6170= ISO4032
4	1000434025	Indicator	1	CURTIS 803	
5	9000008326	Key switch	1	LKS-101A	
6	9000008519	Key	1	LKS-101A	
7	9000007938	Plastic plate	1		
8	0000023215	Screw	2	M5×10	GB/T70.3= ISO10642
9	9000007939	Fixing plate	1		
10	0090000272	Screw	4	M4×12	GB/T6560
11	9000008517	Micro switch	1		
12	9000008515	DC power switch	1	ZDK32-350	

Fig.18 Outline

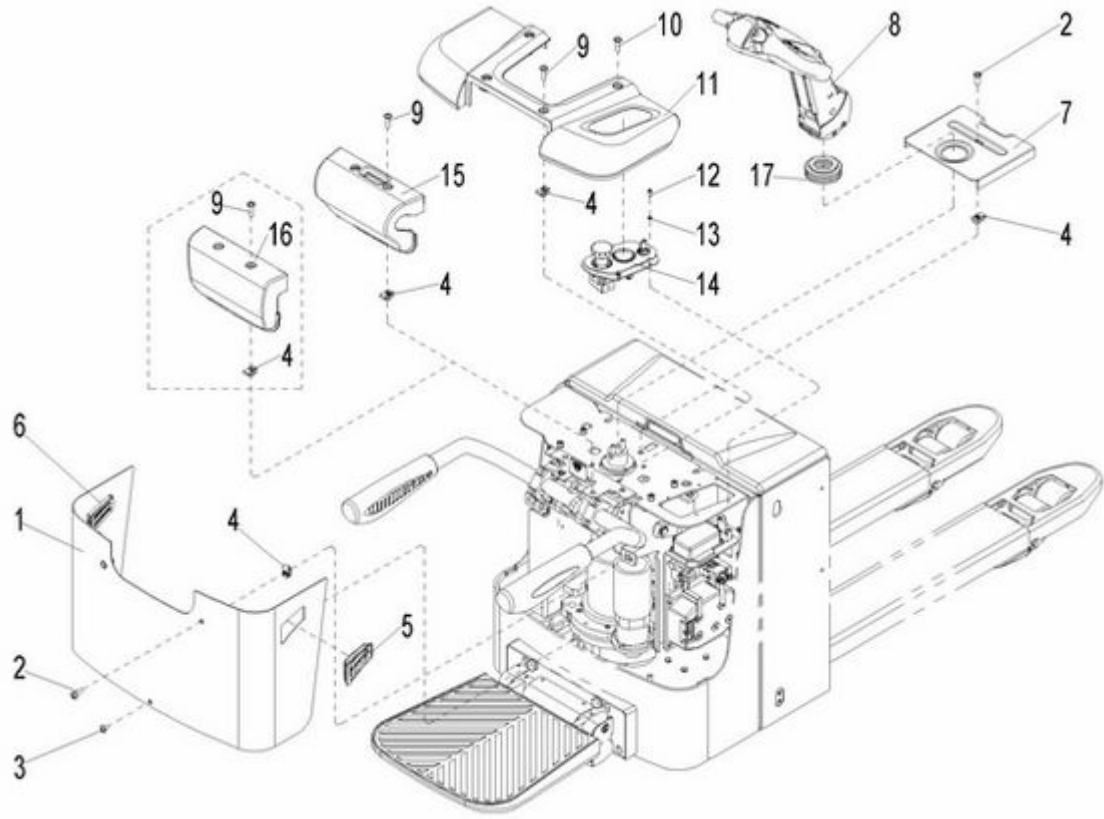


Fig.18 Outline

No.	Art No.	Description	Qty.	Note	Standard
1	9000008061	Main cover	1		
2	1000423003	Screw	3	M10×30	
3	2000423001	Screw	1	M10×15	
4	9000007783	Nut	9	M10	
5	9000007923	Right vents components	1		
6	9000007920	Left vents components	1		
7	9000008065	Middle cover	1		
8	9000007924	Canbus Tiller	1		
9	9000007791	Screw	4	M10×35	
10	9000007790	Screw	2	M10×55	
11	9000008062	Upper cover	1		
12	0000023053	Screw	4	M6×12	GB/T70.1=ISO4762
13	0000025006	Washer	4	6	GB/T93
14	9000007940	Instrument components	1		
15	9000008063	Protective arm cover	1		
16	9000008064	Without protective arm cover	1	Optional	
17	9000008143	Dust cover	1		

Fig.19 Load-backrest assembly (for EU)

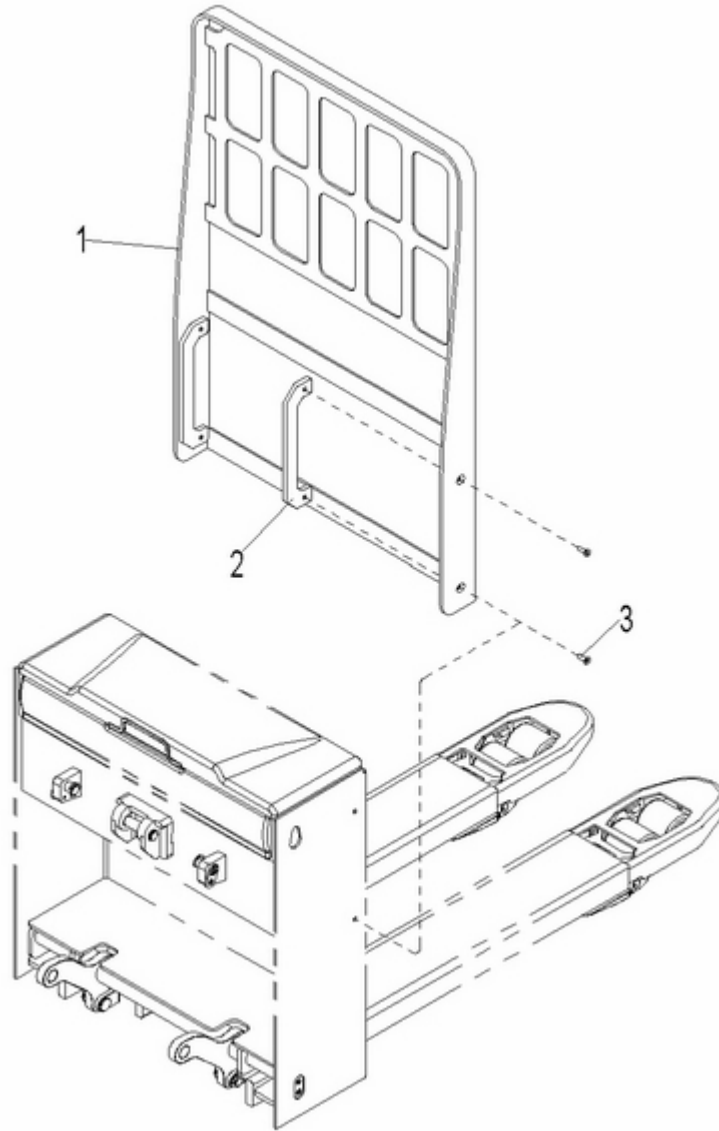


Fig.19 Load backrest assembly (for EU)

No.	Art No.	Description	Qty.	Note	Standard
1	9000008078	Welded load backrest	1		
2	9000008514	Assembly plate	2		
3	0000023637	Screw	4	M10×25	GB/T70.3= ISO10642

Fig.20 Load-backrest assembly (for US)

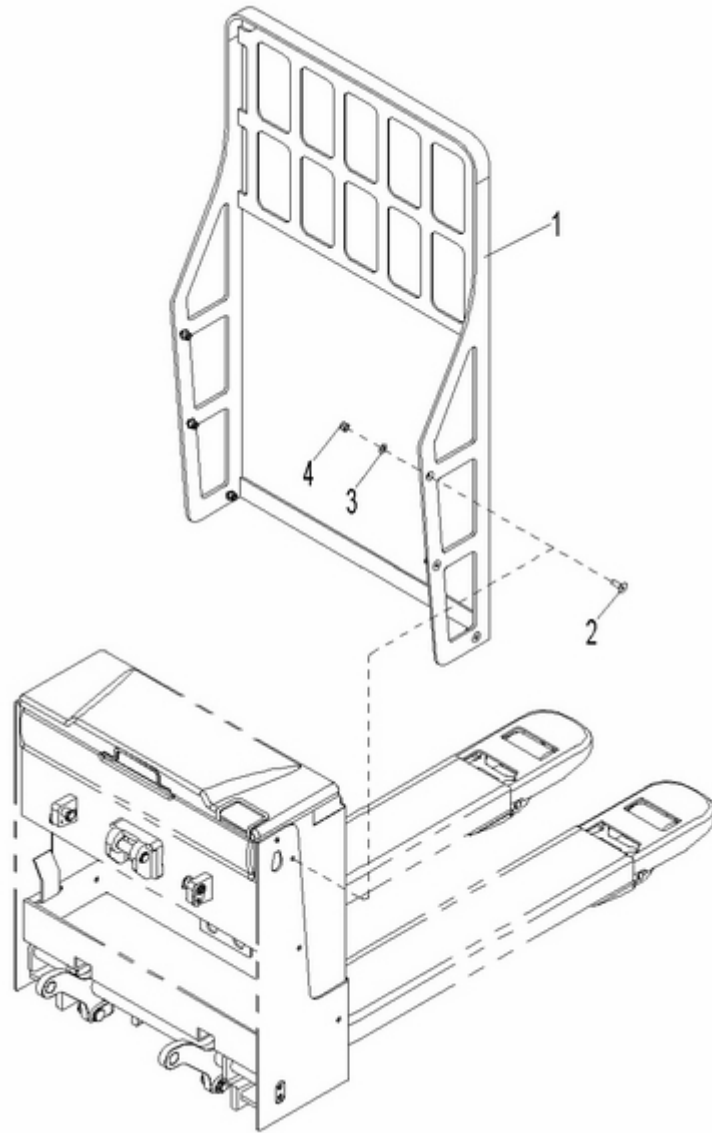


Fig.20 Load backrest assembly (for US)

No.	Art No.	Description	Qty.	Note	Standard
1	9000008911	Welded load backrest	1		
2	0090000465	Screw	6	M10x30	GB/T70.3= ISO10642
3	0090000466	Washer	6	10	GB/T7246
4	0000023005	Lock nut	6	M10	GB/T889.1=ISO7040

Fig.21 Battery cover assembly (for EU)

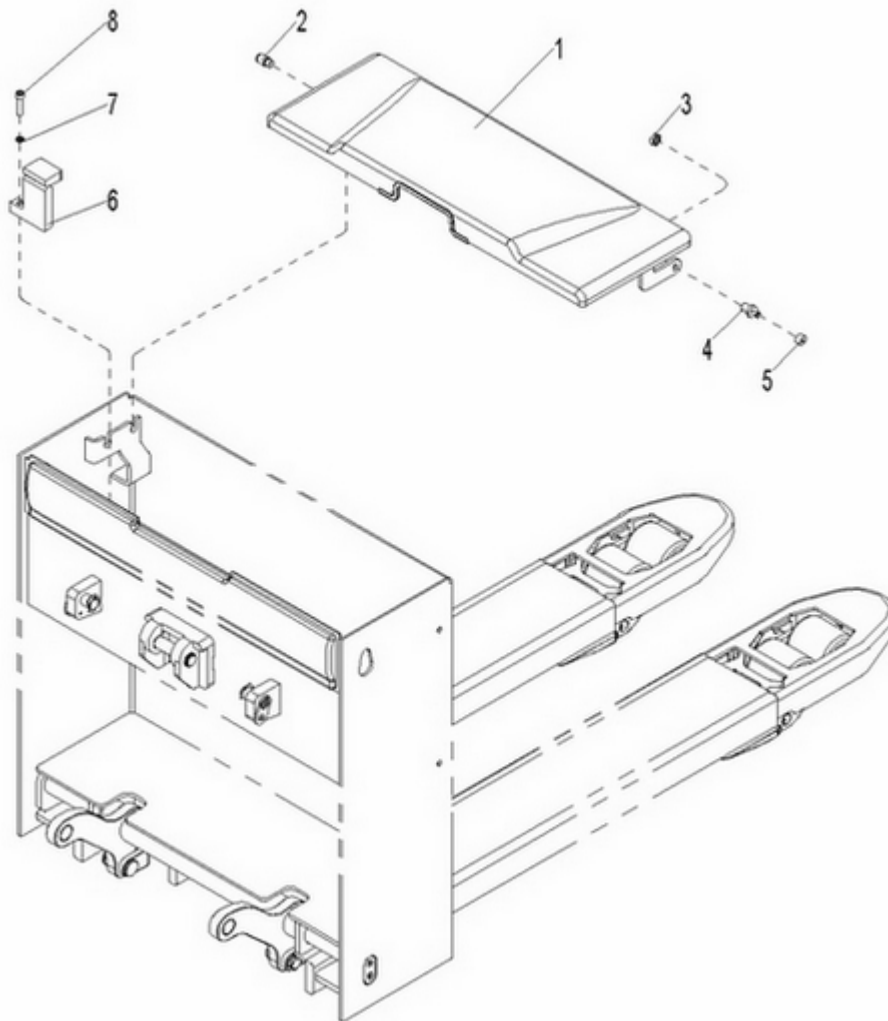


Fig.21 Battery Cover Assembly (for EU)

No.	Art No.	Description	Qty.	Note	Standard
1	9000008046	Battery cover components	1		
2	9000008050	Anti-vibration part	1		
3	0000024012	Nut	2	M10	GB/T6172.1= ISO4035
4	9000008057	Hinge axle	2		
5	9000008047	Rubber ring	2		
6	9000008058	Battery limit fitting	1		
7	0000025001	Washer	1	8	GB/T93
8	0000023455	Screw	1	M8×35	GB/T70.1=ISO4762

Fig.22 Battery cover assembly (for US)

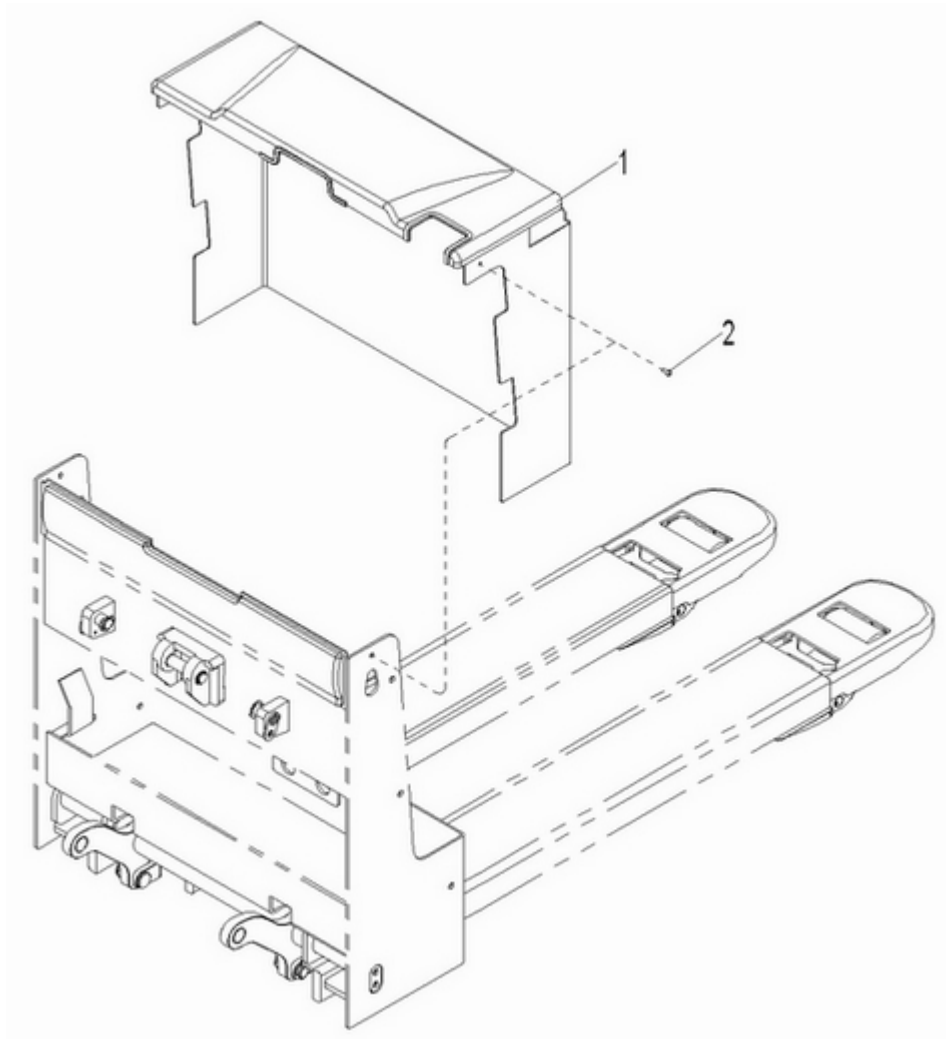


Fig.22 Battery Cover Assembly

No.	Art No.	Description	Qty.	Note	Standard
1	9000008912	Battery cover components	1		
2	0000023519	Screw	2	M6x10	GB/T70.2=ISO7380

Fig.23 Micro switch and main wire

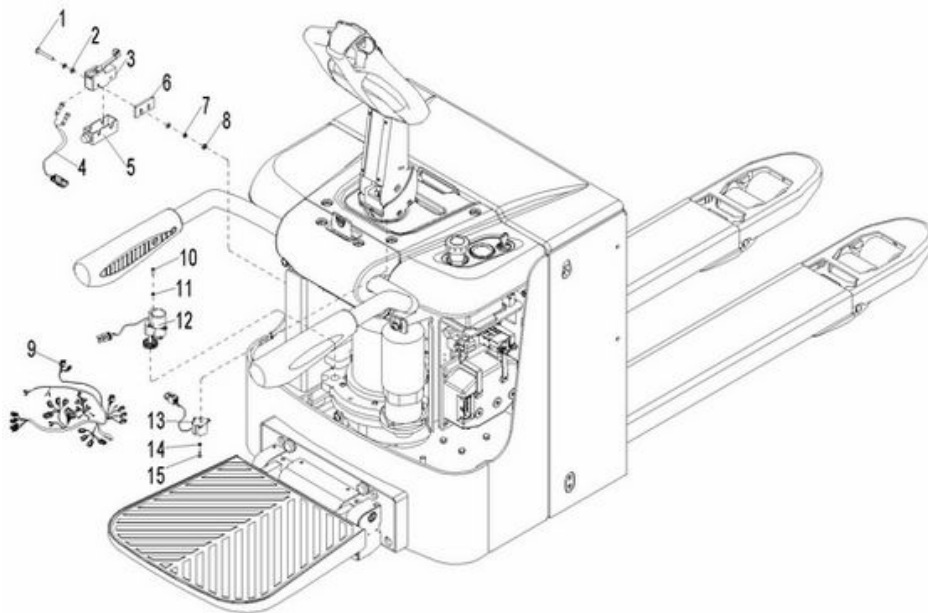


Fig.23 Micro switch and main wire

No.	Art No.	Description	Qty.	Note	Standard
1	0000023631	Screw	2	M4×35	GB/T818=ISO7045
2	0000025019	Washer	4	4	GB/T95
3	9000000794	Micro switch	1	RZ-15GW2S-B3	
4	9000008367	Limit control wiring harness	1		
5	2040603002	Micro switch protective cover	1		
6	9000008067	Washer	1		
7	0000025018	Washer	4	4	GB/T93
8	0000023069	Nut	2	M4	GB/T6170= ISO4032
9	9000008443	Main control wiring harness	1	Only electric steering	
	9000008366	Main control wiring harness	1	Only manual steering	
10	0000023056	Screw M4×12	4	Only for electronical steering truck	GB/T70.1=ISO4762
11	0000025019	Washer	4		GB/T95
12	9000001159	Position sensor BD-PS	1		
	9000008451	Position sensor BD-PS-3	1		
13	9000000239	Tiller sensor BD-MS	1		
	9000008448	Tiller sensor BD-MS-3	1		
14	0000025026	Washer	3		GB/T95
15	0000023216	Screw M3×8	3		GB/T818=ISO7045

Fig.24 Controller(Manual steering)

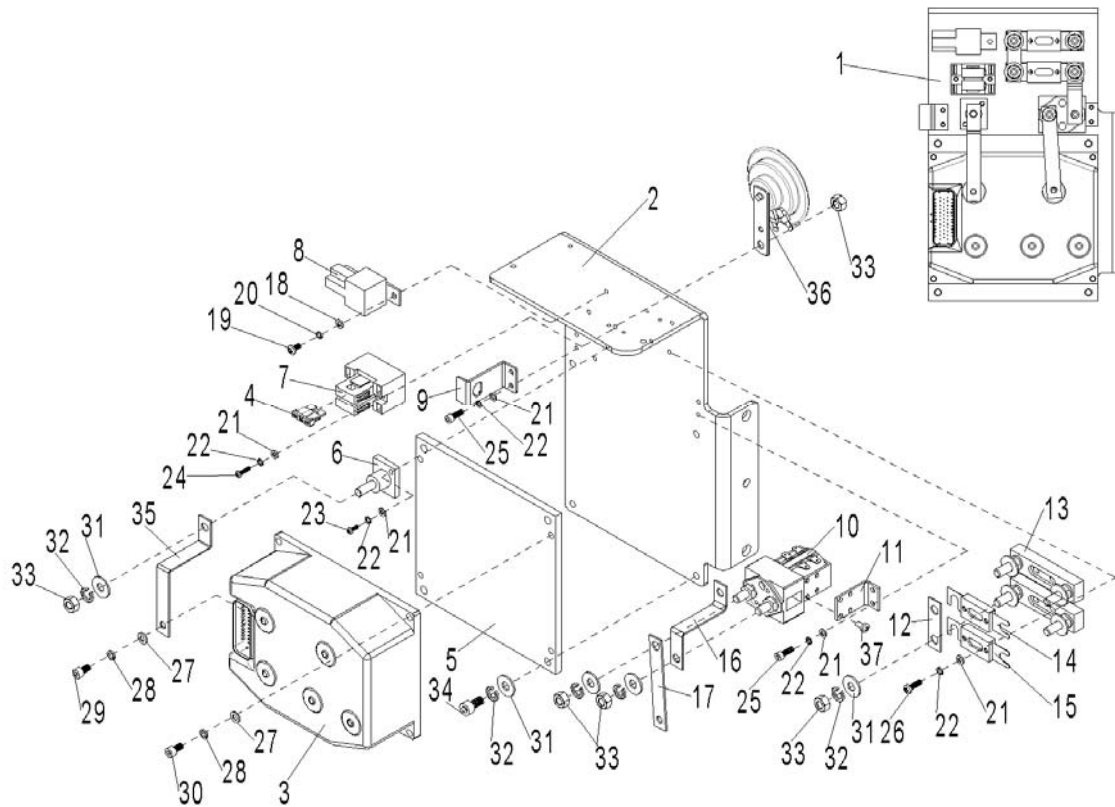


Fig.24 Controller(manual steering)

No.	Art No.	Description	Qty.	Note	Standard
1	9000008375	Controller	1		
2	9000008069	Controller assembly plate	1		
3	9000000235	Controller	1	CURTIS1232E -2121	
4	1000434040	Fuse	1	10A	
5	9000008376	Aluminium plate	1		
6	1020434002	Wiring terminal	1	BD-M8	
7	9000008586	Fuse seat	1	BD-2×10A-1	
8	1000434041	Pump contactor	1	ACR01F-F 1C DC24V	
9	9000007679	Plug fixing plate	1		
10	1000434006	Traction motor contactor	1	C100/120 DC24V	
11	9000008598	Main contactor assembly plate	1		
12	1020434003	Copper bar	1		

13	1000434007	Fuse seat	2	SY	
14	1020434001	Fuse	1	200A	
15	2210434004	Fuse	1	150A	
16	9000008374	Copper bar	1		
17	9000008373	Copper bar	1		
18	0000025014	Washer	1	5	GB/T95
19	0000023516	Screw	1	M5×10	GB/T818=ISO7045
20	0000025015	Washer	1	5	GB/T93
21	0000025018	Washer	12	4	GB/T93
22	0000025019	Washer	12	4	GB/T95
23	0000023073	Screw	2	M4×10	GB/T70.1=ISO4762
24	0000023019	Screw	2	M4×30	GB/T818=ISO7045
25	0000023307	Screw	4	M4×10	GB/T818=ISO7045
26	0000023211	Screw	4	M4×16	GB/T818=ISO7045
27	0000025010	Washer	9	6	GB/T93
28	0000023055	Washer	9	6	GB/T95
29	0000023478	Screw	5	M6×12	GB/T70.1=ISO4762
30	0000023923	Screw	4	M6×18	GB/T70.1=ISO4762
31	0000025001	Washer	12	8	GB/T93
32	0000025011	Washer	11	8	GB/T95
33	0000024086	Nut	12	M8	GB/T6170=ISO4032
34	0000023067	Screw	4	M8×16	GB/T70.1=ISO4762
35	9000008372	Copper bar	1		
36	1000434015	Horn	1	DC24V	
37	0000023727	Screw	2	M4×6	GB/T818=ISO7045

Fig.25 Controller(Electric steering)

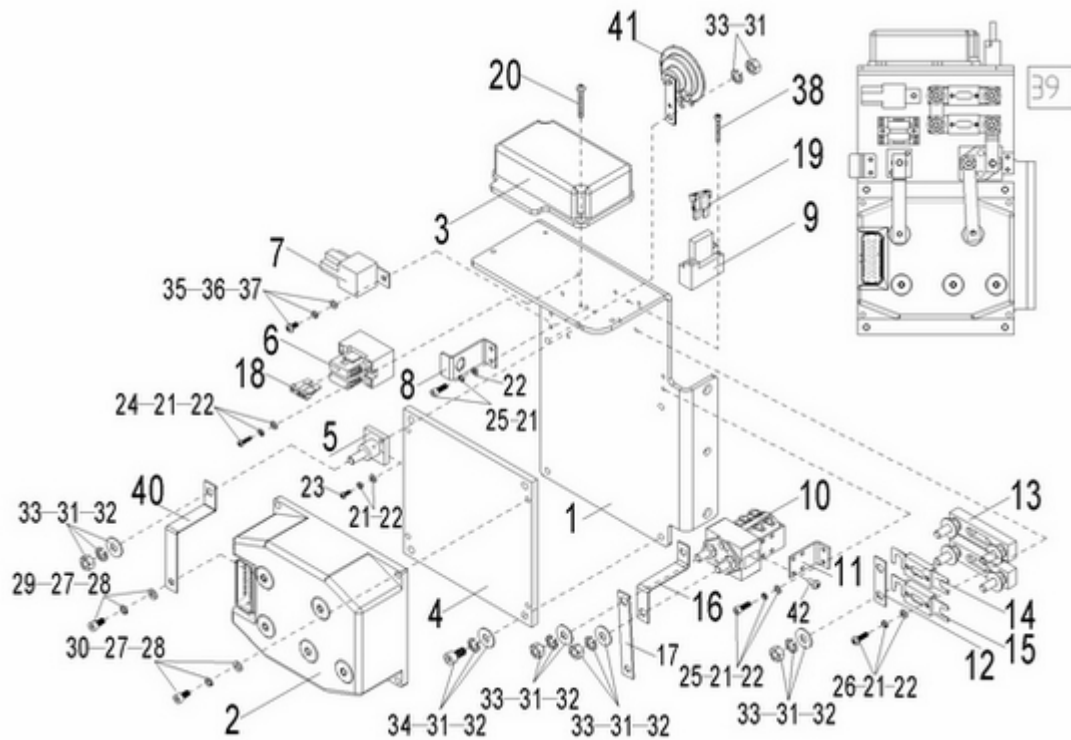


Fig.25 Controller(Electric steering)

No.	Art No.	Description	Qty.	Note	Standard
1	9000008069	Controller assembly plate	1		
2	9000000235	Controller	1	CURTIS1232E-2121	
3	9000000236	Steering controller	1	BD-SC-24/10	
	9000008451	Steering controller		BD-SC-24/10-3	
4	9000008376	Aluminium plate	1		
5	1020434002	M8 wiring terminal	1	BD-M8	
6	9000008586	Fuse seat	1	BD-2×10A	
7	1000434041	Pump contactor	1	ACR01F-F 1C DC24V	
8	9000007679	Plug fixing plate	1		
9	1000434021	Fuse seat	1	BD-1×10A	
10	1000434006	Traction motor contactor	1	C100/120DC24V	

11	9000008598	Main contactor assembly plate	1		
12	1020434003	Copper bar —	1		
13	1000434007	Fuse seat	2	SY Y	
14	1020434001	Fuse	1	200A	
15	2210434004	Fuse	1	150A	
16	9000008374	Copper bar	1		
17	9000008373	Copper bar	1		
18	1000434040	Fuse	1	10A	
19	3042434014	Fuse	1	15A	
20	0090000082	Screw	2	M4×30	GB/T70.1=ISO4762
21	0000025018	Washer	12	4	GB/T93
22	0000025019	Washer	12	4	GB/T95
23	0000023073	Screw	2	M4×10	GB/T70.1=ISO4762
24	0000023019	Screw	2	M4×30	GB/T818=ISO7045
25	0000023307	Screw	4	M4×10	GB/T818=ISO7045
26	0000023211	Screw	4	M4×16	GB/T818=ISO7045
27	0000025010	Washer	9	6	GB/T93
28	0000023055	Washer	9	6	GB/T95
29	0000023478	Screw	5	M6×12	GB/T70.1=ISO4762
30	0000023923	Screw	4	M6×18	GB/T70.1=ISO4762
31	0000025001	Washer	12	8	GB/T93
32	0000025011	Washer	11	8	GB/T95
33	0000024086	Nut	12	M8	GB/T6170=ISO4032
34	0000023067	Screw	4	M8×16	GB/T70.1=ISO4762
35	0000023516	Screw	1	M5×10	GB/T818=ISO7045
36	0000025015	Washer	1	5	GB/T93
37	0000025014	Washer	1	5	GB/T95
38	0000023070	Screw	2	M3×25	GB/T70.1=ISO4762
39	9000008356	Controller components	1		
40	9000008372	Copper bar	1		
41	1000434015	Horn	1	DC24V	
42	0000023727	Screw	2	M4×6	GB/T818=ISO7045

Fig.26 Platform

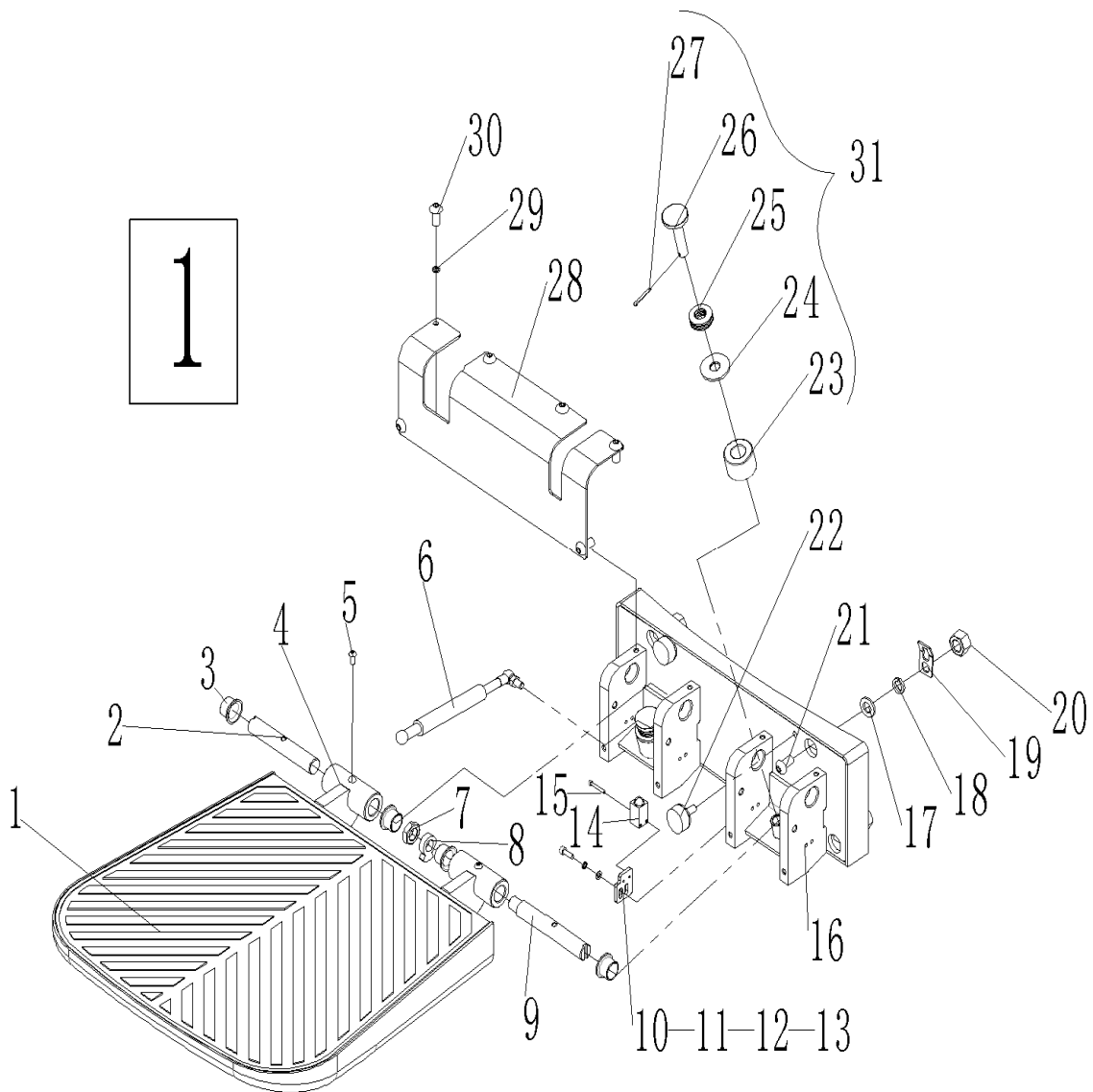


Fig.26 Platform

No.	Art No.	Description	Qty.	Note	Standard
1	9000007867	Pedal pad	1		
2	9000007869	Rotating shaft	1		
3	9000007799	Should harness	4	∅20×∅23×16.5	

4	9000007863	Welded foot platform	1		
5	0000023555	Screw	2	M6×16	GB/T70.2=ISO7380
6	2000421001	Air spring	1		
7	0000024014	Nut	1	M16×1.5	GB/T6173=ISO8675
8	9000007873	Cam	1		
9	9000007866	Cam shaft	1		
10	0000025012	Washer	2	5	GB/T93
11	0000023032	Washer	2	5	GB/T95
12	0000023107	Screw	2	M5×16	GB/T70.1=ISO4762
13	9000009799	Switch transition plate	1		
14	0000023075	Screw	2	M3×20	GB/T70.1=ISO4762
15	9000008328	Proximity switch	1	NBN5-F7-E2	
16	9000007864	Welded assembly seat	1		
17	0090000048	Washer	4	12	GB/T97.1= ISO7089
18	0000025024	Washer	4	12	GB/T93
19	9000007874	Line hanging board	1		
20	0000024006	Nut	4	M12	GB/T889.1=ISO7040
21	0090000450	Screw	4	M12×45	GB/T70.2=ISO7380
22	9000007865	Damping pad	2		
23	9000007872	Anti-vibration pad	2		
24	9000007871	Anti-vibration washer	2		
25	0000031001	Spring	8	∅16.3×∅31.5× 1.75	GB/T1972
26	9000007870	Fixing bolt	2		
27	0000028033	Split pin	2	∅3.2×20	GB/T91= ISO1234
28	9000007868	Assembly seat cover	1		
29	0000025010	Washer	6	6	GB/T93
30	0000023045	Screw	6	M6×12	GB/T70.2=ISO7380
31	9000008897	Suspension components	2		
□	9000007862	Platform	1		

Fig.27 Protective arm assembly

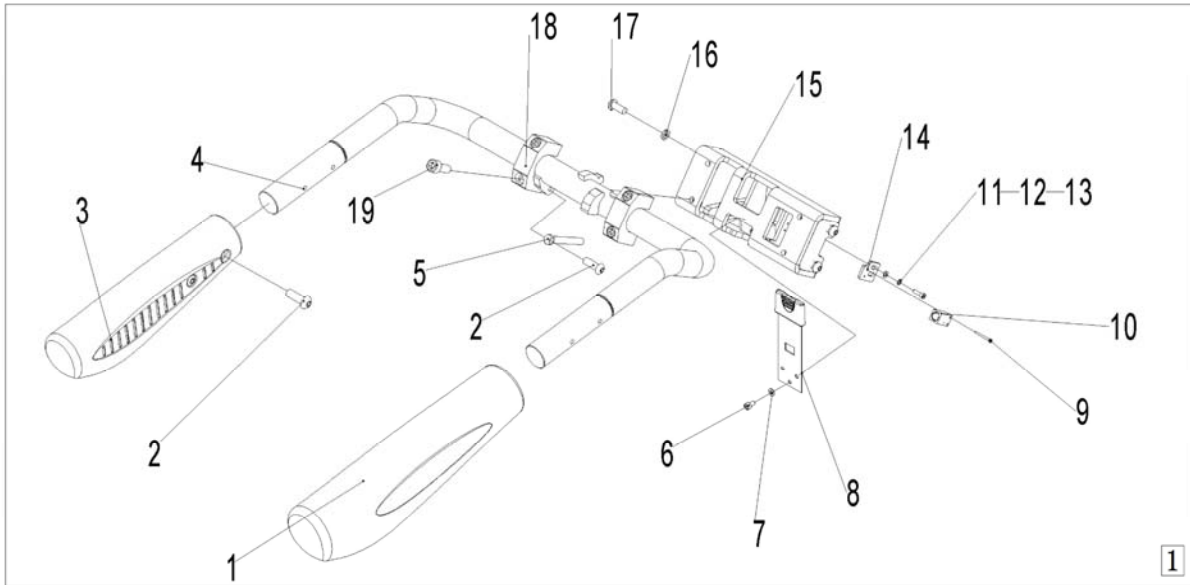


Fig.27 Protective arm assembly

No.	Art No.	Description	Qty.	Note	Standard
1	9000007895	Right protective arm	1		
2	0090000448	Screw	4	M8×20	GB/T70.2=ISO7380
3	9000007896	Left protective arm	1		
4	9000007894	Welded protective arm	1		
5	9000007780	Air spring	1		
6	0000023045	Screw	3	M6×12	GB/T70.2=ISO7380
7	0000025010	Washer	3	6	GB/T93
8	9000007897	Positioning spring	1		
9	0000023075	Screw	2	M3×20	GB/T70.1=ISO4762
10	9000008329	Proximity switch	1	NBN5-F7-E2	
11	0000025012	Washer	2	5	GB/T93
12	0000023032	Washer	2	5	GB/T95
13	0000023107	Screw	2	M5×16	GB/T70.1=ISO4762
14	9000009799	Switch transition plate	1		
15	9000007892	Welded protective arm	1		
16	0000023006	Washer	4	10	GB/T93
17	0090000447	Screw	4	M10×25	GB/T70.2=ISO7380
18	9000007893	Protective arm clamp	2		
19	0000023099	Screw	4	M10×45	GB/T70.1=ISO4762
①	9000007891	Protective arm assembly	1		

Fig.28 Main cables(Manual steering)

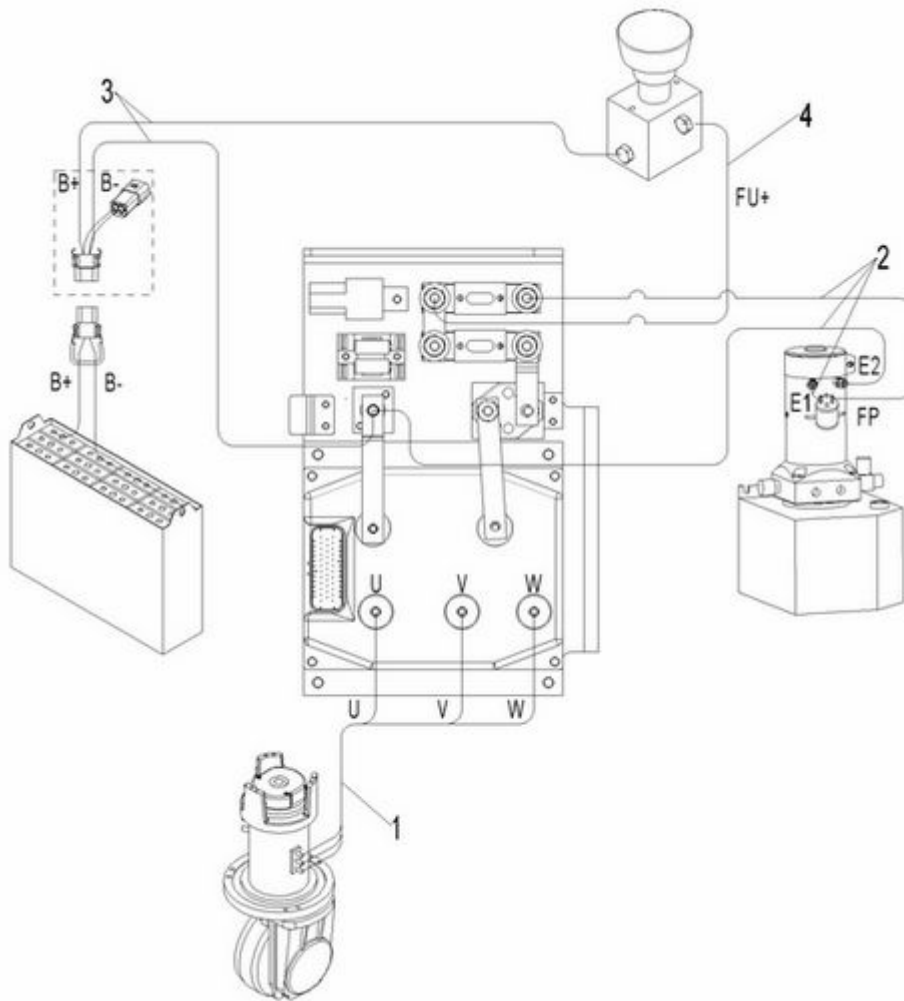


Fig.28 Main cables(manual steering)

No.	Art No.	Description	Qty.	Note	Standard
1	9000008368	Drive motor wiring harness	1		
2	9000008369	Pump motor wiring harness	1		
3	9000008370	Main power supply wiring harness	1		
4	9000008371	FU+wiring harness	1		

Fig.29 Main cables(Electric steering)

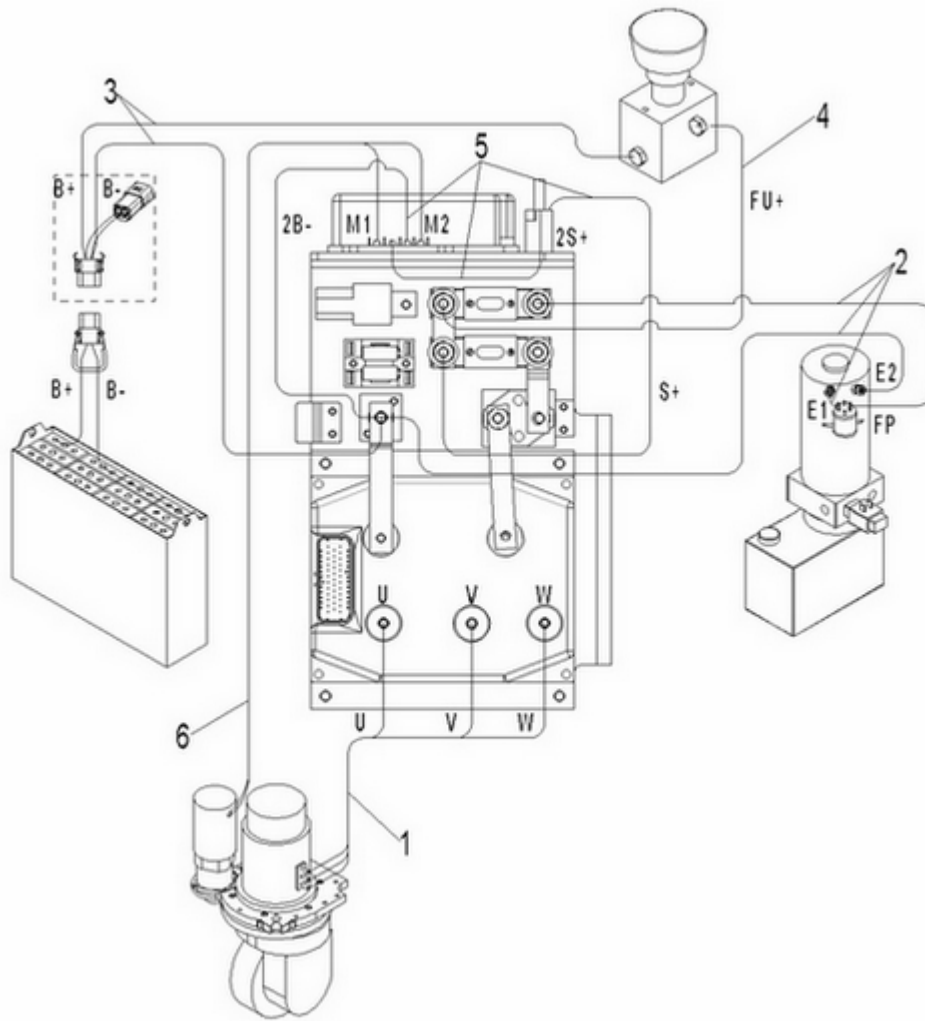


Fig.29 Main cables(Electric steering)

No.	Art No.	Description	Qty.	Note	Standard
1	900008444	Drive motor wiring harness	1		
2	900008445	Pump motor wiring harness	1		
3	900008370	Main power supply wiring harness	1		
4	900008371	FU+wiring harness	1		
5	900008446	Steering controller wiring harness	1		
6	900008520	Steering motor wiring harness	1		

Fig.30 Electric steering assembly

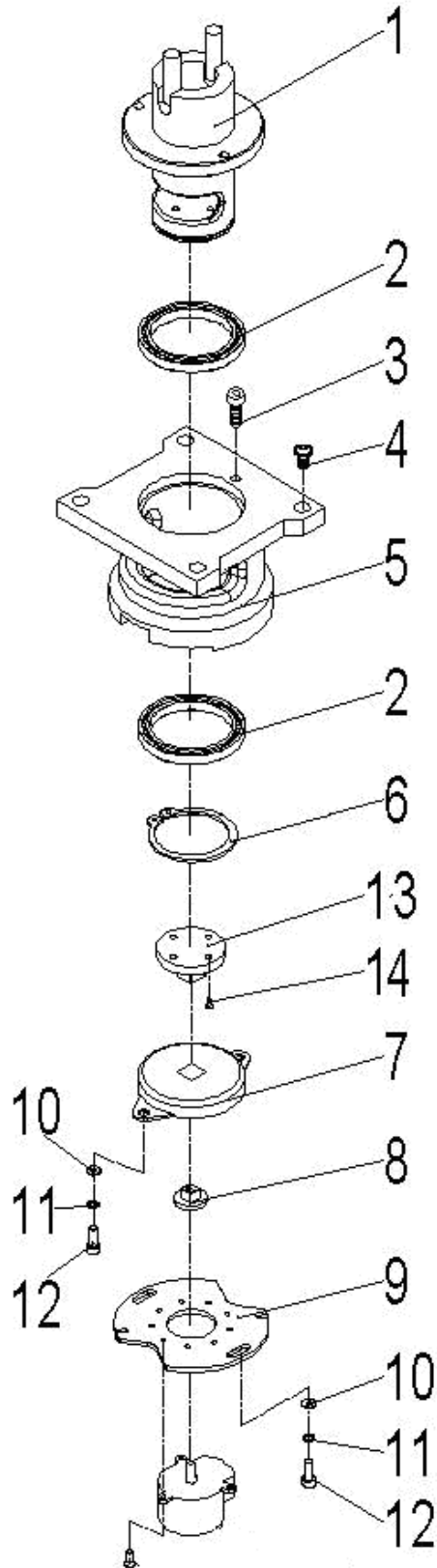


Fig. 30 Electric Steering Assembly

No.	Parts No.	Item	Qty.	Note	Standard
1	9000007422	Bearing seat welding	1		
2	9000000240	Ball bearing	2	65×50×7	GB/T276=ISO3290
3	0000023042	Screw	3	M6×10	GB/T70.1=ISO4762
4	0000023034	Screw	4	M10×20	GB/T70.1=ISO4762
5	9000007423	Welded fixing seat	1		
6	0000026043	Circlip	1	50	GB/T894.1
7	9000007806	Damper	1		
8	9000007421	Transition linking block	1		
9	9000007693	Potentiometer fixing plate	1		
10	0000023032	Washer	4	5	GB/T95
11	0000025015	Washer	4	5	GB/T93
12	0000023311	Screw	4	M5×10	GB/T70.1=ISO4762
13	9000007424	Linking block	1		
14	0000023073	Screw	4	M4×10	GB/T70.1=ISO4762

Fig.31 Label (for EU)

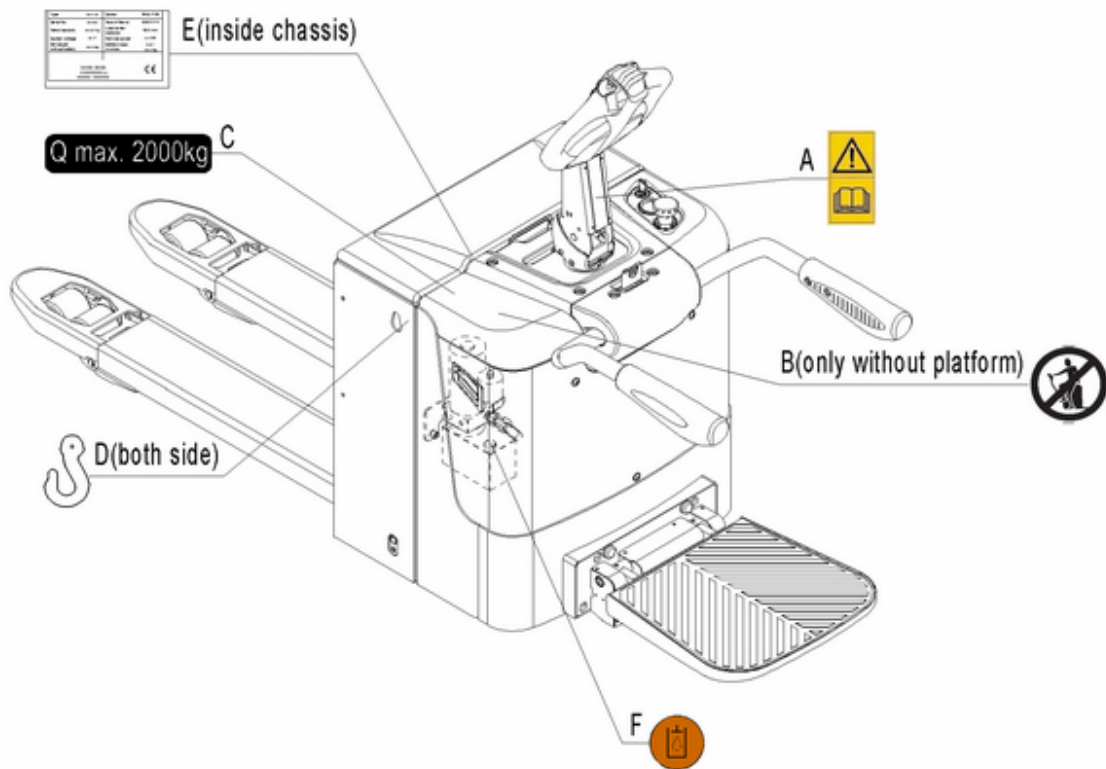


Fig.31 Label (for EU)

No.	Art No.	Description	Qty.	Note	Standard
A	9000003570	Sign read and follow this instruction	1		
B	9000003573	'No passengers' decal	1		
C	9000008345	Sign capacity sticker(2000 kg)	1		
D	9000005967	Hook sticker	2		
E	9000008651	CE sticker	1		
F	9000008555	Filling sticker	1		

Fig.32 Label (for US)

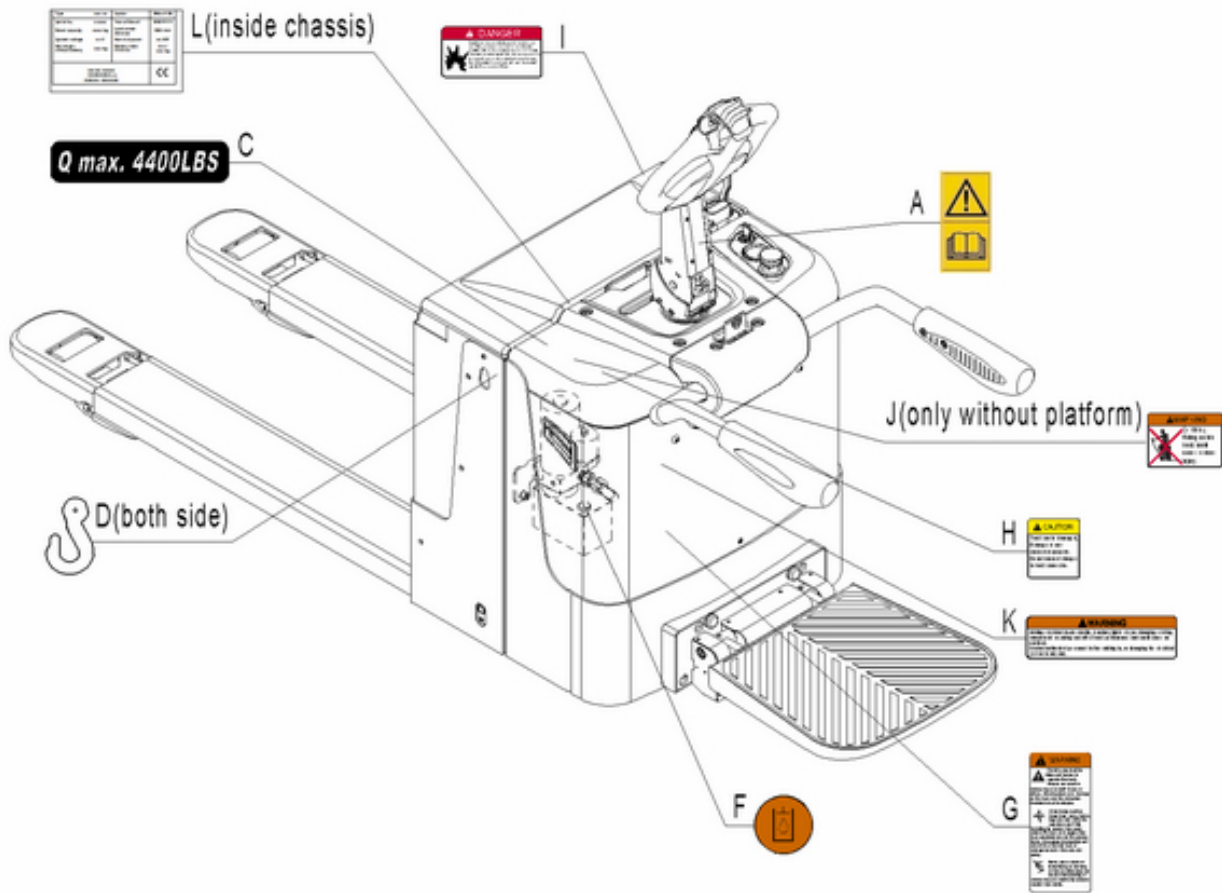


Fig.32 Label (for US)

No.	Art No.	Description	Qty.	Note	Standard
A	9000003570	Sticker to read and follow these instructions	1		
C	9000009405	Capacity sticker(4400 LBS)	1		
D	9000005967	Crane hook label	2		
F	9000008555	Filling sticker	1		
G	9000003575	Warning sticker	1		
H	9000003576	Warning sticker	1		
I	9000003577	Warning sticker	1		
J	9000003580	Warning sticker	1		
K	9000003579	Warning sticker	1		
L	9000008928	CE sticker	1		

Easy worn parts list

No.	Part number	Name	Qty.	Fig./Position	Note
1	0000013024	Bushing 25×28×20	2	Fig.1、 2/8	Fork frame
2	0000013001	Bushing 20×23×20	2	Fig.1、 2/9	
3	0000027006	Bushing 25×29×25	2	Fig.1、 2/10	
4	0000027005	Bushing 20×22×12	4	Fig.1、 2/16	
5	9000010419	Push rod kit	2	Fig.1/20	
6	9000010420	Push rod kit	2	Fig.2/20	
7	0000027005	Bushing 20×22×12	4	Fig.3、 4/7	Load wheel
8	0000027001	Bearing 6204	8/4(D/S)	Fig.3/10 Fig.4/9	
9	9000008791	Wheel 84×84	4(D)	Fig.3/11	
10	9000007766	Wheel 82×110	2(S)	Fig.3/15 Fig.4/10	
11	9000002333	Shoulder harness 18×20×12	4(D)	Fig.3/16	
12	9000008913	Load roller	2	Fig.3/17	
13	9000008914	Load roller	2	Fig.3/18 Fig.4/13	
14	9000010400	Roller kit	2	Fig.3/19	
15	9000010421	Load wheel kit	4	Fig.3/20	
16	9000010422	Load wheel kit	2	Fig.3/21	
17	0000027002	Bearing 3056205	2	Fig. 9/6	Castor
18	1000400005	Steering wheel	2	Fig. 9/9	
19	1000419001	Polyurethane spring	2	Fig. 9/13	
20	1000413002	Bushing 12×15×15	4	Fig. 9/14	
21	0000027001	Bearing 6204	4	Fig. 9/20	
22	1000403008	Castor 100×40	2	Fig. 9/21	
23	9000008903	Load wheel kit	2	Fig.9/26	
24	9000010423	Steering wheel accessories	2	Fig.9/27	
25	0000013001	Bushing 20×23×20	2	Fig.10/16	Hydraulic system
26	1020337006	Carbon brush assembly	1	Fig.11/14	Pump
27	0000022031	Dust ring 50×58×6.5	1	Fig.12/2	Cylinder

28	0000022112	Y-ring 50×60×8	1	Fig.12/3	
29	9000003639	Seal kit	1	Fig.12/5	
30	1000113001	Shoulder harness17×19×11	2	Fig.13/8	Tiller
31	1010121001	Air spring (S≥55)	1	Fig.13/13	
32	1000413001	Bushing 20×23×15	4	Fig.16/9	
33	1020434001	Fuse 200A	1	Fig.25/14	Controller
34	2210434004	Fuse 150A	1	Fig.25/15	
35	1000434040	Fuse 10A	1	Fig.25/18	
36	3042434014	Fuse 15A	1	Fig.25/19	
37	9000007799	Shoulder harness 20×23×16.5	4	Fig.26/3	Platform
38	2000421001	Air spring (S≥70)	1	Fig.26/6	
39	9000007780	Air spring (S≥36)	1	Fig.27/5	Protective arm